

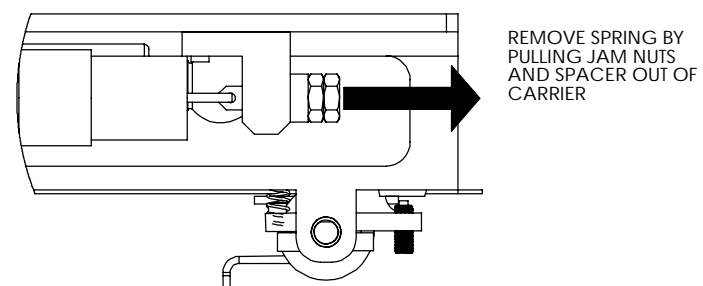
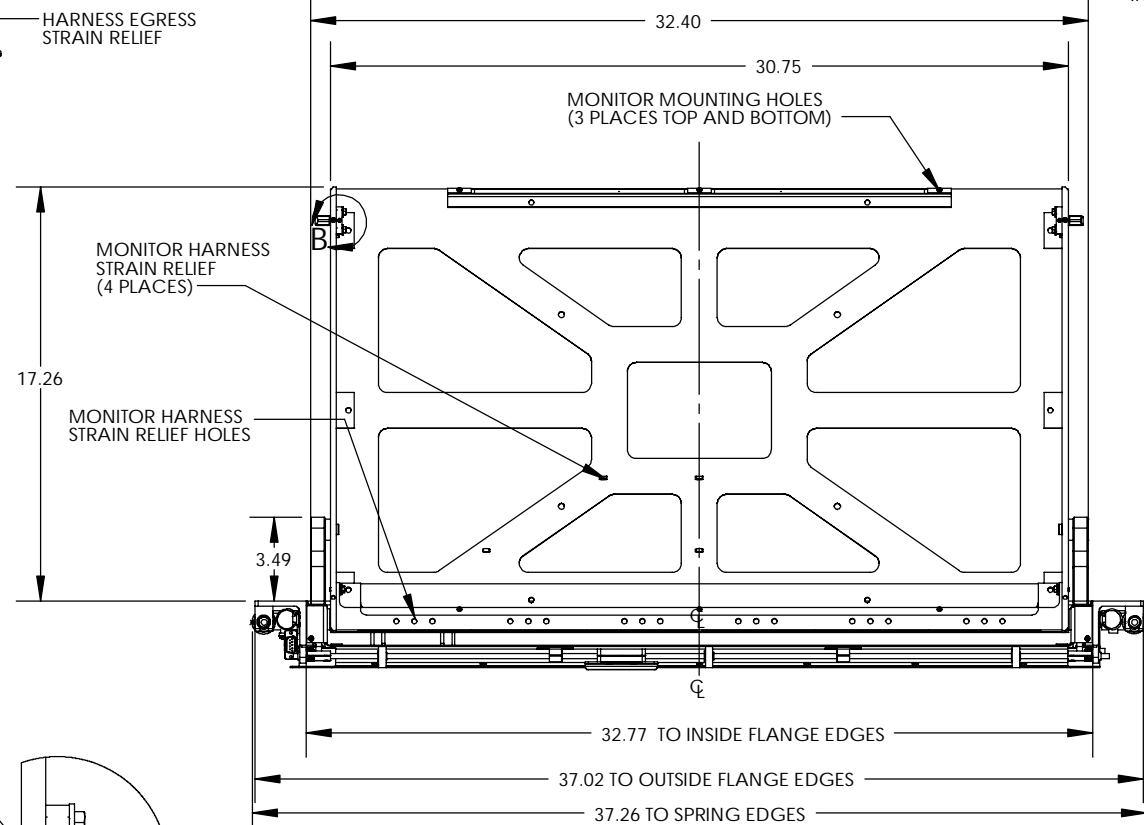
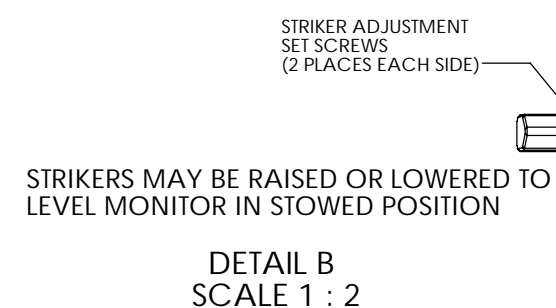
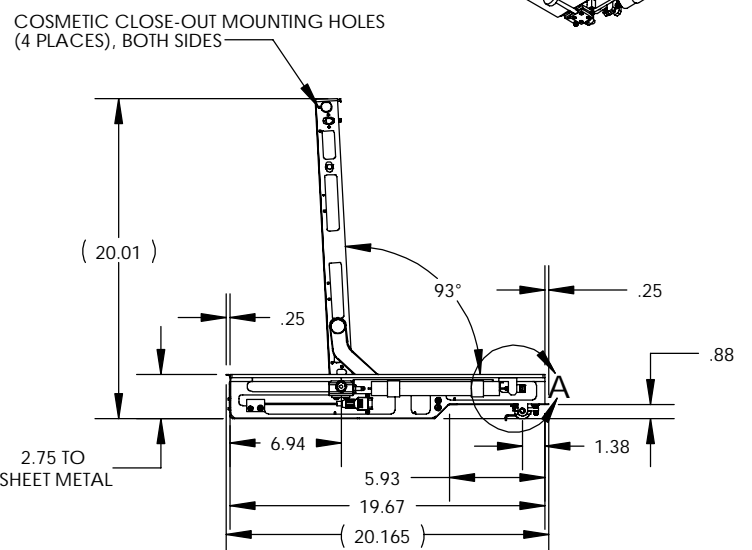
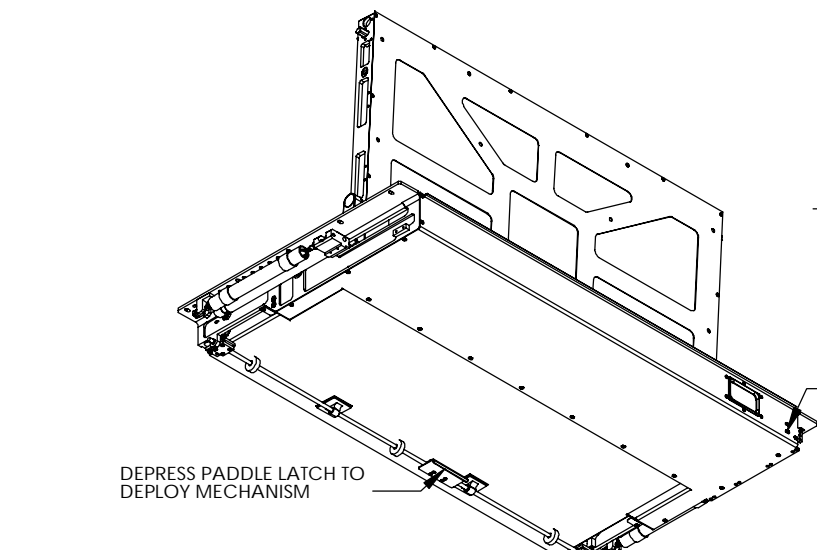
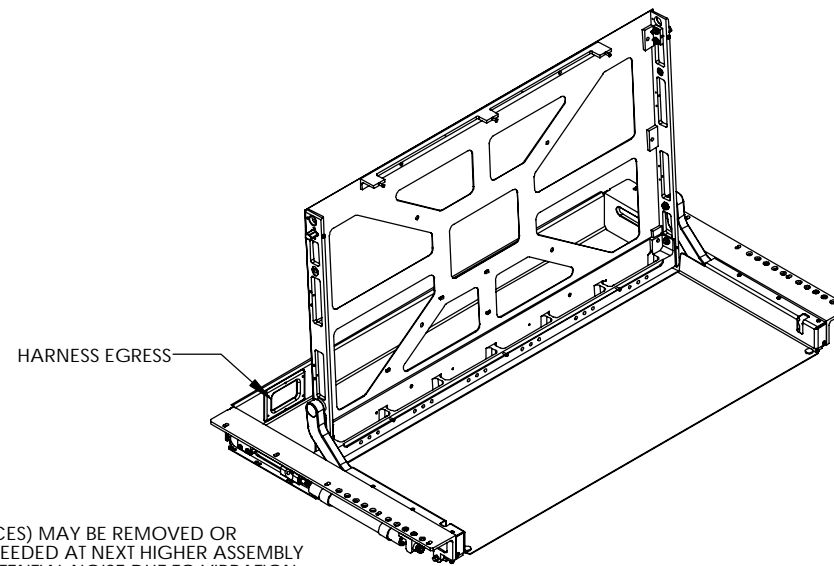
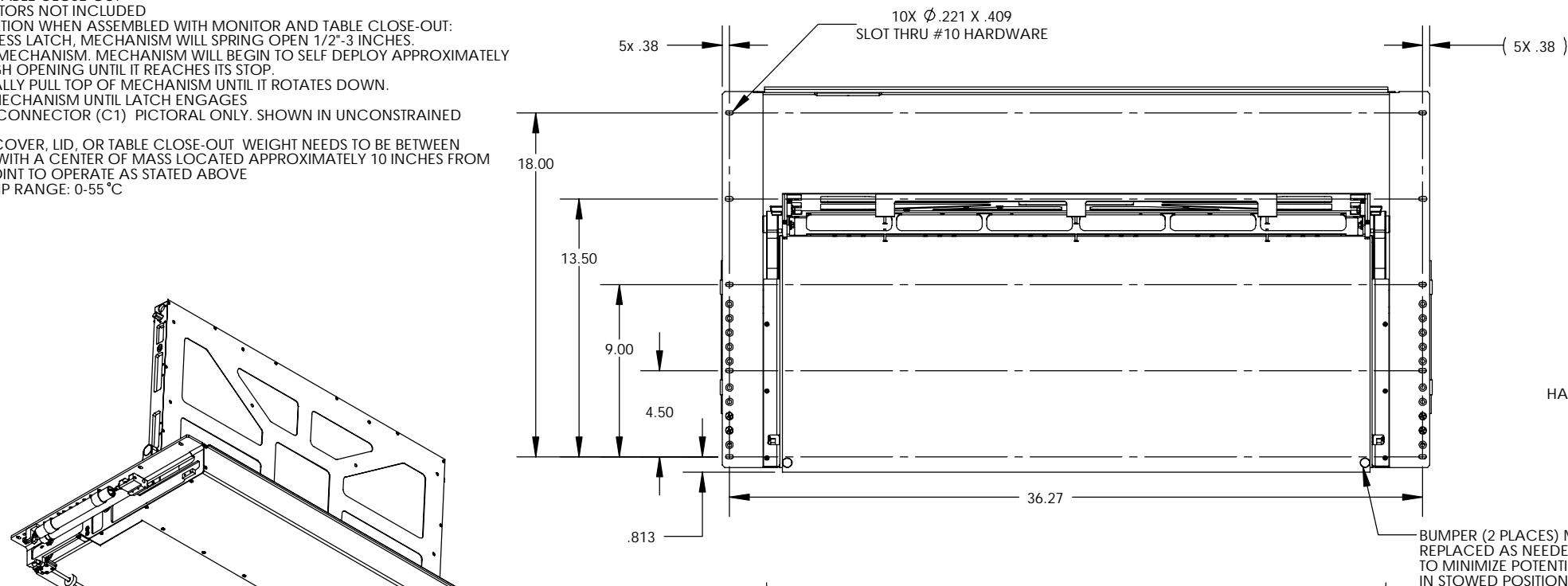
NOTES: (UNLESS OTHERWISE SPECIFIED)

1. ASSEMBLY WEIGHT: 17.7 LBS MAX
2. SOME MINOR PARTS, LABELS AND INSTRUCTIONS NOT SHOWN
3. MONITOR MOUNTING HARDWARE AND EXPANDABLE HARNESS JACKET INCLUDED (NOT SHOWN)
4. CAUTION: MECHANISM CAN RAPIDLY DEPLOY WHEN PADDLE LATCH IS DEPRESSED PRIOR TO INSTALLING MONITOR, COSMETIC CLOSE-OUT, AND TABLE CLOSE-OUT
5. MATING CONNECTORS NOT INCLUDED
6. THEORY OF OPERATION WHEN ASSEMBLED WITH MONITOR AND TABLE CLOSE-OUT:  
 TO DEPLOY - DEPRESS LATCH, MECHANISM WILL SPRING OPEN 1/2"-3 INCHES.  
 MANUALLY OPEN MECHANISM. MECHANISM WILL BEGIN TO SELF DEPLOY APPROXIMATELY HALFWAY THROUGH OPENING UNTIL IT REACHES ITS STOP.  
 TO STOW - MANUALLY PULL TOP OF MECHANISM UNTIL IT ROTATES DOWN.  
 DEPRESS TOP OF MECHANISM UNTIL LATCH ENGAGES
7. SWITCH HARNESS CONNECTOR (C1) PICTORAL ONLY. SHOWN IN UNCONSTRAINED CONDITION
8. THE MECHANISM COVER, LID, OR TABLE CLOSE-OUT WEIGHT NEEDS TO BE BETWEEN 7 AND 5 POUNDS WITH A CENTER OF MASS LOCATED APPROXIMATELY 10 INCHES FROM THE MAINPIVOT POINT TO OPERATE AS STATED ABOVE
9. OPERATIONAL TEMP RANGE: 0-55 °C

**VIEWS SHOW MECHANISM IN DEPLOYED STATE**

REVISIONS						
ZONE	REV	DESCRIPTION	DATE	BY	EC NO	APRV
	A	INITIAL RELEASE	01/11/18	MCS	18-0009	

**Electronic Revision  
Controlled**



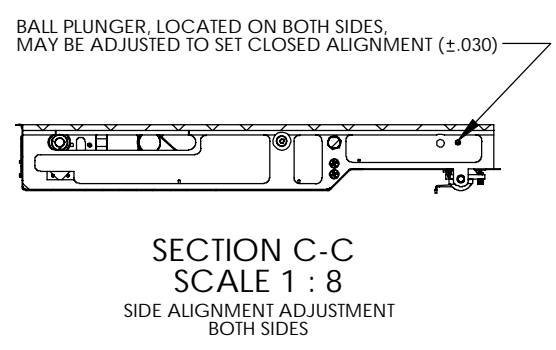
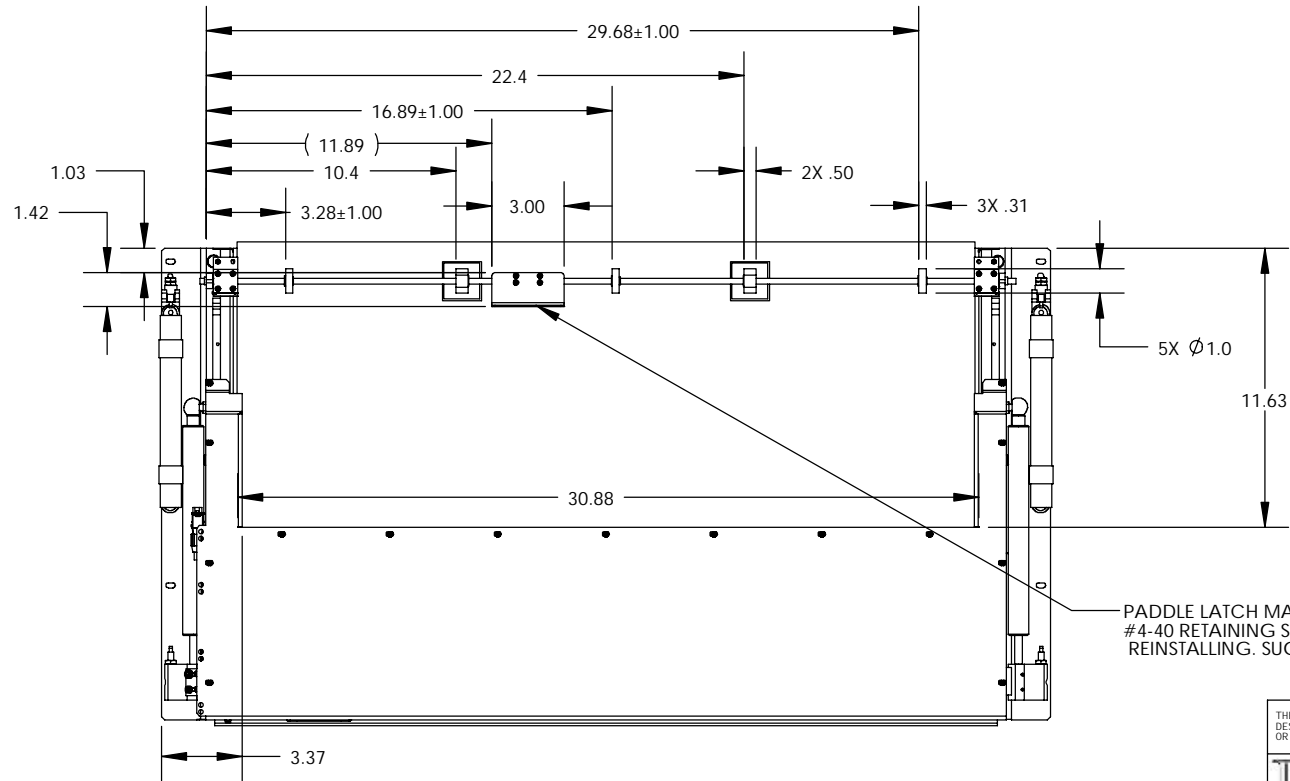
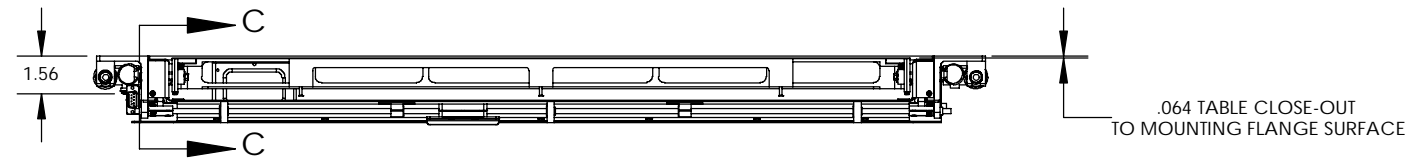
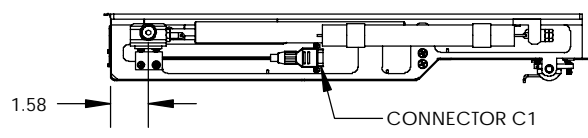
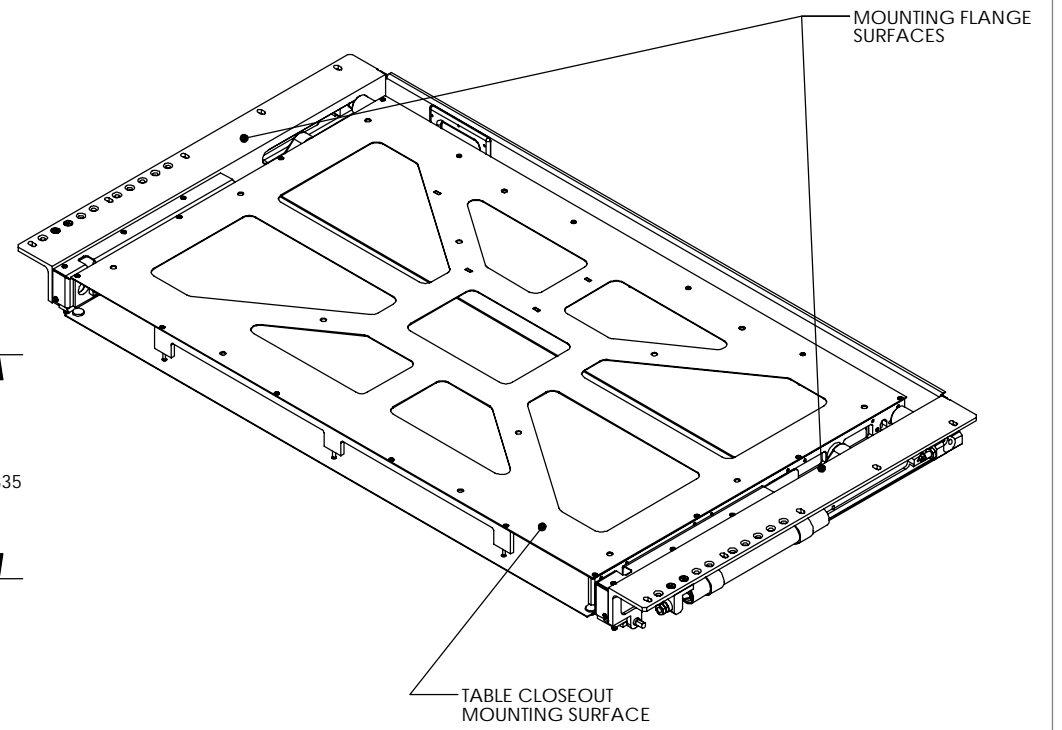
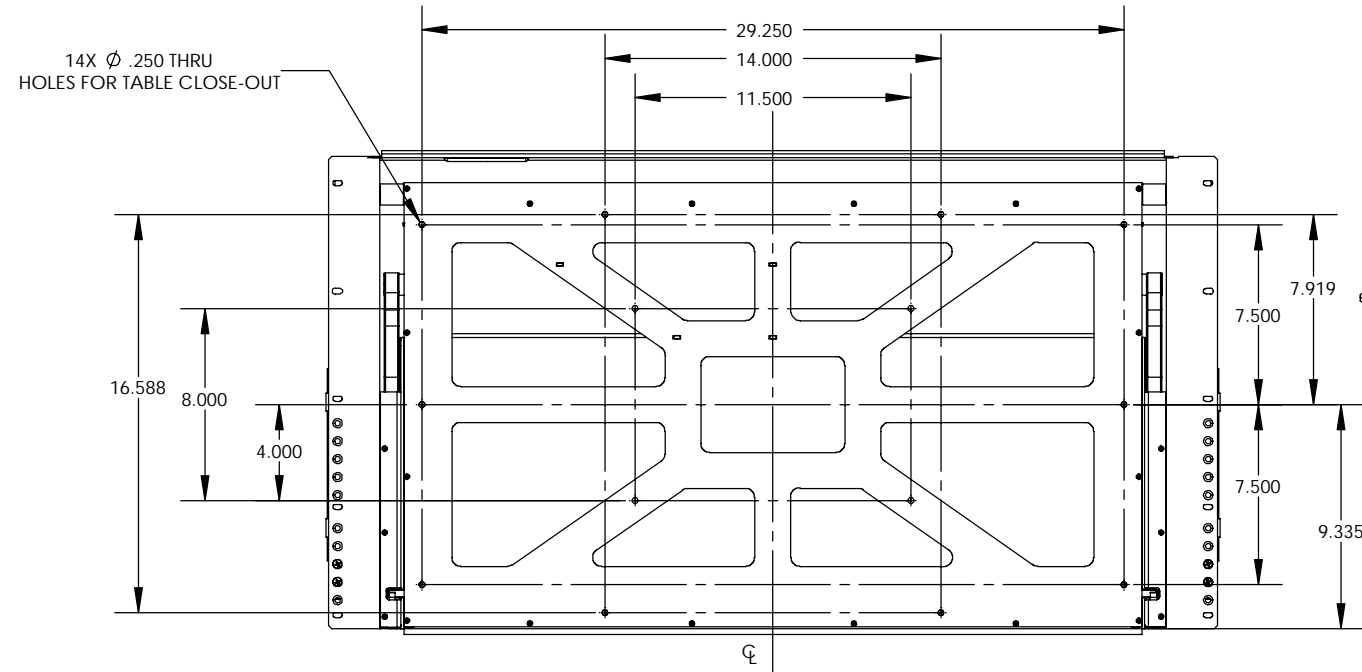
REMOVE SPRING, BOTH SIDES, TO INSTALL MOUNTING FASTENERS. REINSTALL FOR OPERATION  
 DETAIL A  
 SCALE 1 : 2

THE INFORMATION CONTAINED HEREIN IS PROPRIETARY TO ROSEN AVIATION, LLC. IT SHALL NOT BE REPRODUCED OR DISCLOSED IN WHOLE OR IN PART OR USED FOR ANY DESIGN OR MANUFACTURE EXCEPT WHEN SUCH USER POSSESSES DIRECT, WRITTEN AUTHORIZATION FROM ROSEN AVIATION, LLC. THIS DRAWING MAY BE COVERED UNDER ONE OR MORE U.S. OR INTERNATIONAL PATENTS. PLEASE CONTACT ROSEN AVIATION FOR SPECIFIC INFORMATION.

<b>ROSEN AVIATION</b> 1020 OWEN LOOP SOUTH EUGENE, OREGON 97402 TEL: (541) 342-3802 FAX: (541) 342-4912	APPROVALS	INITIAL	DATE
	DRAWN BY	MCS	01/04/18
	CHECKER	SC	01/08/18
TITLE <b>OUTLINE &amp; INSTALLATION DRAWING          MECHANISM, MONITOR MOUNT, 32"          TILT UP-AM</b>	ENGINEER	MCS	01/08/18
	LFT320-002-CD		
FIRST CALLED FOR: (FCF)	SIZE	REV	
32in Tilt-Up - 307	B	A	
	SCALE: 1:4	SHEET 1 OF 2	

UNLESS OTHERWISE SPECIFIED DIMENSIONS ARE IN INCHES  
 .X = ± .2  
 .XX = ± .03  
 .XXX = ± .02  
 ∠ = ± 5.0°  
 RADII ± .020  
 INTERPRET DIM AND TOL PER ASME Y14.5M-1994

# VIEWS SHOW MECHANISM IN STOWED STATE



## PERFORMANCE SPECIFICATIONS (REF)

Environmental Specifications	
Operating Temperature	-15°C - 55°C
Altitude	15,000ft
Humidity	95%RH
Vibration	DO-160G Cat S (Curve B)

SWITCH CONNECTOR - 9 PIN, D-SUB, FEMALE		
CONNECTOR	Function	MFG NOTES
C1		
1	SWITCH CONTACT 1	WIRES FROM SWITCH MAY BE REVERSED BETWEEN CONTACTS C1 (1 & 2)
2	SWITCH CONTACT 1	

NOTE: CONTINUITY BETWEEN 1 & 2 WHEN DEPLOYED, NO CONTINUITY WHEN STOWED

PADDLE LATCH MAY BE SHIFTED AS NEEDED BY REMOVING #4-40 RETAINING SCREWS, REPOSITIONING LATCH, AND REINSTALLING. SUGGESTED TORQUE IS 7±1 in-lbs

THE INFORMATION CONTAINED HEREIN IS PROPRIETARY TO ROSEN AVIATION, LLC. IT SHALL NOT BE REPRODUCED OR DISCLOSED IN WHOLE OR IN PART OR USED FOR ANY DESIGN OR MANUFACTURE EXCEPT WHEN SUCH USER POSSESSES DIRECT, WRITTEN AUTHORIZATION FROM ROSEN AVIATION, LLC. THIS DRAWING MAY BE COVERED UNDER ONE OR MORE U.S. OR INTERNATIONAL PATENTS. PLEASE CONTACT ROSEN AVIATION FOR SPECIFIC INFORMATION.



1020 OWEN LOOP SOUTH  
EUGENE, OREGON 97402  
TEL: (541) 342-3802 FAX: (541) 342-4912

SIZE <b>B</b>	LFT320-002-CD	REV <b>A</b>
SCALE: 1:12	SHEET 2 OF 2	