

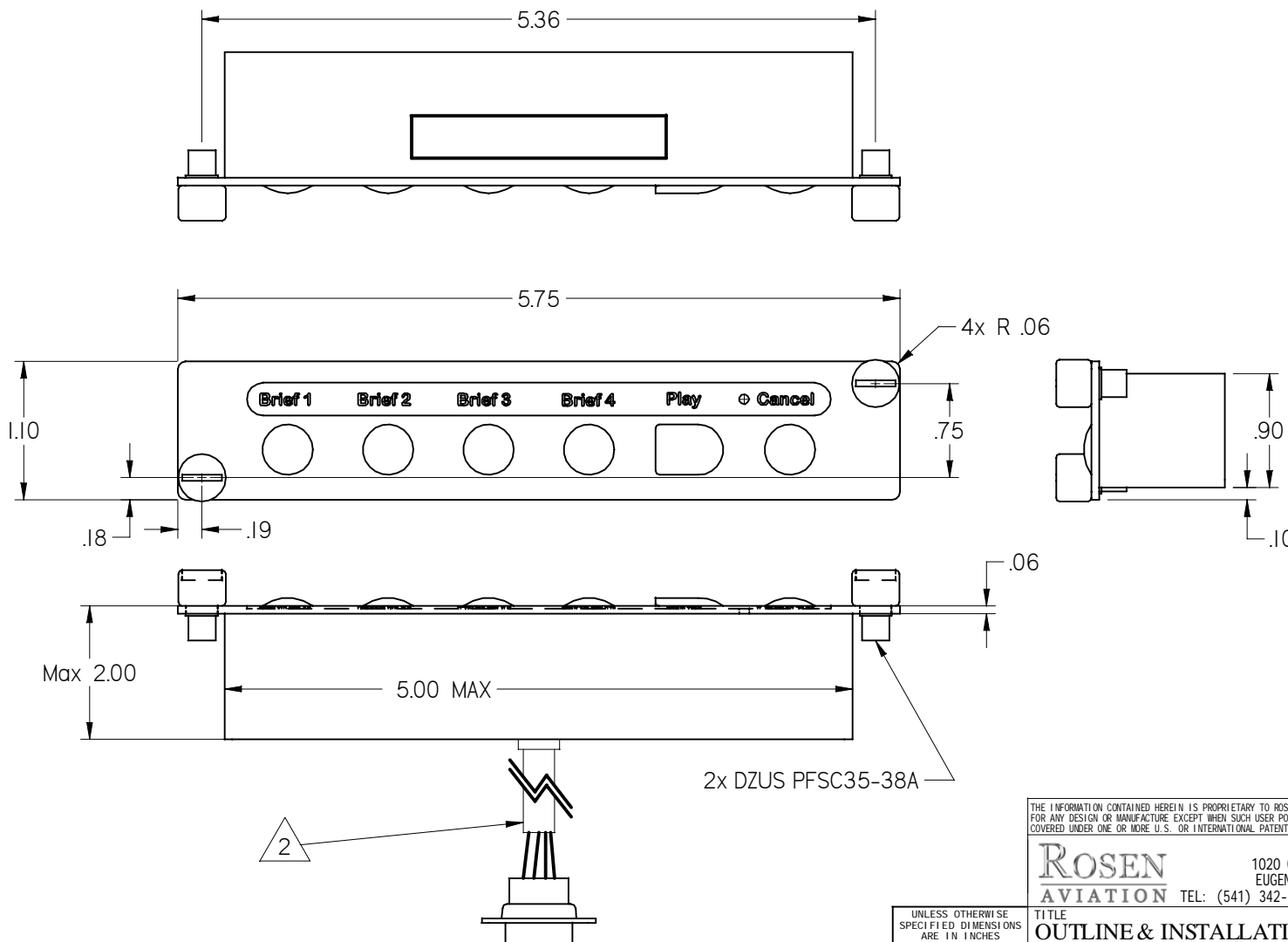
NOTES: (unless otherwise specified)

1. ASSEMBLY WEIGHT: .25 LBS. ±10%
2. HARNESS LENGTH: 24" MIN
3. SOME MINOR PARTS, LABELS, HARNESES AND INSTRUCTIONS OMITTED FOR CLARITY

2

REVISIONS						
ZONE	REV	DESCRIPTION	DATE	BY	CHG NO	APRV
	A	INITIAL DRAWING RELEASE	12/01/09	GJH	ECO9393	

**ELECTRONIC REVISION
CONTROLLED**



DB-9 CONNECTOR, MALE (SHOWN), w/BACKSHELL AND MALE SCREWLOCK (NOT SHOWN)	
PINOUT	
PIN	DESCRIPTION
1	N/C
2	COMMON
3	LED IN (INPUT SIGNAL TO BE 2VDC @ 15mA)
4	BRIEF 1
5	BRIEF 2
6	BRIEF 3
7	BRIEF 4
8	PLAY
9	CANCEL

THE INFORMATION CONTAINED HEREIN IS PROPRIETARY TO ROSEN AVIATION, LLC. IT SHALL NOT BE REPRODUCED OR DISCLOSED IN WHOLE OR IN PART OR USED FOR ANY DESIGN OR MANUFACTURE EXCEPT WHEN SUCH USER POSSESSES DIRECT, WRITTEN AUTHORIZATION FROM ROSEN AVIATION. THIS DRAWING MAY BE COVERED UNDER ONE OR MORE U.S. OR INTERNATIONAL PATENTS. PLEASE CONTACT ROSEN AVIATION FOR SPECIFIC INFORMATION.

ROSEN AVIATION 1020 OWEN LOOP SOUTH EUGENE, OREGON 97402 TEL: (541) 342-3802 FAX: (541) 342-4912	APPROVALS	INITIAL	DATE
	DRAWN BY	GJH	09/23/09
	CHECKER	DRF	10/01/09
	ENGINEER	SC	12/01/09
TITLE OUTLINE & INSTALLATION DRAWING, CONTROLLER, BLACK, ASSEMBLY			
FIRST CALLED FOR: (FCF) ROSENVIEW			
DWG NO		0300-410-CD	
SIZE	A	REV	A
SCALE 3:4		SHEET 1 OF 1	

UNLESS OTHERWISE SPECIFIED DIMENSIONS ARE IN INCHES
 .X = ± .1
 .XX = ± .03
 R = ± 5.0°
 RADI = ± .020
 INTERPRET DIM AND TOL PER ASME Y14.5M - 1994

REFER TO www.rosenaviation.com FOR THE LATEST REVISION INFORMATION.

1

2