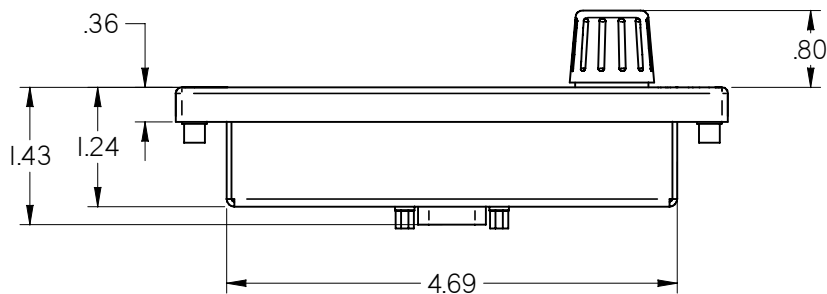
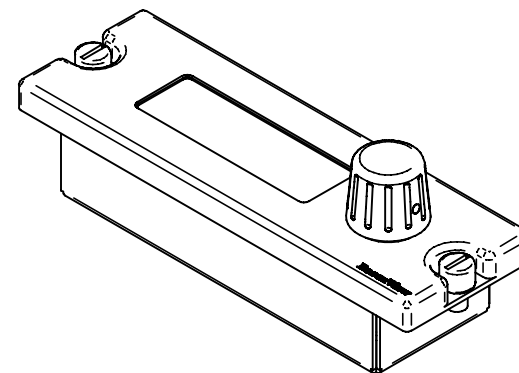
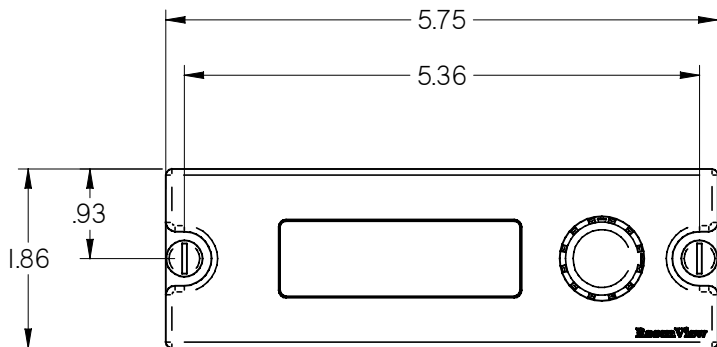


NOTES: (unless otherwise specified)

- ASSEMBLY WEIGHT: 0.5 LBS. ±5%
- DO NOT PLUG OR UNPLUG CONTROLLER WHEN POWER IS APPLIED.

REVISIONS						
ZONE	REV	DESCRIPTION	DATE	BY	CHG NO	APRV
	A	INITIAL DRAWING RELEASE	02/06/07	GJH	EC07025	
	B	UPDATED VIEWS, DIMENSIONS	05/31/07	GJH	EC07199	SC



**ELECTRONIC REVISION
CONTROLLED**

THE INFORMATION CONTAINED HEREIN IS PROPRIETARY TO ROSEN AVIATION, LLC. IT SHALL NOT BE REPRODUCED OR DISCLOSED IN WHOLE OR IN PART OR USED FOR ANY DESIGN OR MANUFACTURE EXCEPT WHEN SUCH USER POSSESSES DIRECT, WRITTEN AUTHORIZATION FROM ROSEN AVIATION. THIS DRAWING MAY BE COVERED UNDER ONE OR MORE U.S. OR INTERNATIONAL PATENTS. PLEASE CONTACT ROSEN AVIATION FOR SPECIFIC INFORMATION.

Rosen AVIATION TEL: (541) 342-3802 FAX: (541) 342-4912	1020 OWEN LOOP SOUTH EUGENE, OREGON 97402		APPROVALS	INITIAL	DATE
			DRAWN BY	SC	11/22/07
			CHECKER	GJH	01/24/07
			ENGINEER	SC	02/06/07

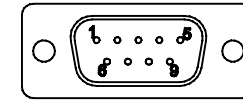
UNLESS OTHERWISE SPECIFIED DIMENSIONS ARE IN INCHES
 .X = ± .1
 .XX = ± .03
 = ± 5.0°
 RADI I = ± .020
 INTERPRET DIM AND TOL PER ASME Y14.5M - 1994

TITLE ROSENVIEW BRIEFING CONTROLLER OUTLINE AND INSTALLATION			DWG NO 0300-412-CD		
FIRST CALLED FOR: (FCF) ROSENVIEW BRIEFING CONTROLLER			SIZE A		REV B
SCALE 1:1		SHEET 1 OF 2			

REFER TO www.rosenaviation.com FOR THE LATEST REVISION INFORMATION.

Interface Connector	
Connector Type: DB9 Male	
Rosen Connector Kit: 0300-022	
Pin #	Function
1	RS-485 A IN
2	RS-485 B IN
3	RS-485 Shield
4	+5V*
5	5V Return
6	Cockpit Dim
7	RS-232 RIN
8	RS-232 DOUT
9	RS-232 Shield
Shell	Chassis Ground

Performance Specifications (Reference)	
Power Requirements	
Nominal Voltage	5VDC*
Nominal Current	.8A ± 10%
Environmental Specifications	
Operating Temperature	0°C to 50°C
Altitude	Cat A1
Humidity	Cat A
Vibration	Cat S, curve B
Power Input	N/A
Radio Frequency Susceptibility	Cat TT
Emission of RF Energy	Cat M



Interface Connector

* Power supplied by Rosenview.
Do not attach 28V.

Note:
Refer to installation guide, "System Wiring Diagrams" for proper connections using either RS-485 or RS-232

THE INFORMATION CONTAINED HEREIN IS PROPRIETARY TO ROSEN AVIATION, LLC. IT SHALL NOT BE REPRODUCED OR DISCLOSED IN WHOLE OR IN PART OR USED FOR ANY DESIGN OR MANUFACTURE EXCEPT WHEN SUCH USER POSSESSES DIRECT, WRITTEN AUTHORIZATION FROM ROSEN AVIATION, LLC. THIS DRAWING MAY BE COVERED UNDER ONE OR MORE U.S. OR INTERNATIONAL PATENTS. PLEASE CONTACT ROSEN AVIATION FOR SPECIFIC INFORMATION.

	1020 OWEN LOOP SOUTH EUGENE, OREGON 97402 TEL: (541) 342-3802 FAX: (541) 342-4912	SIZE A	DWG NO 0300-412-CD	REV B
	SCALE NONE	SHEET 2 OF 2		