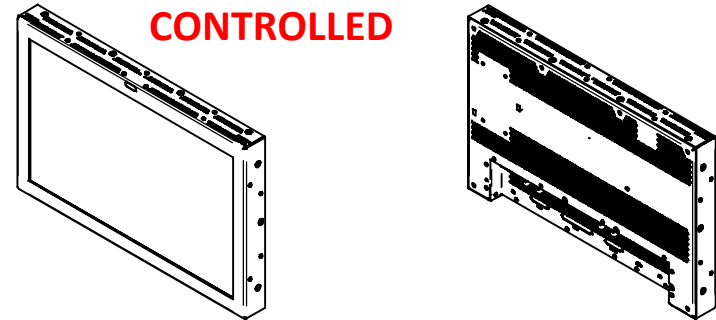


NOTES: (unless otherwise specified)

1. ASSEMBLY WEIGHT: 7.4 LBS. ±5%
2. SOME MINOR PARTS, LABELS, HARNESSES AND INSTRUCTION OMITTED FOR CLARITY
3. MONITOR MUST BE MOUNTED USING 2 MOUNTING HOLES ON EACH SIDE OR ALL MOUNTING HOLES ON TOP OR BOTTOM AS A MINIMUM. MONITOR CAN ALSO BE MOUNTED USING 4 REAR MOUNTING HOLES MINIMUM
4. REMOVE #10-32 FLAT HEAD SCREWS AS NEEDED TO ACCESS MOUNTING HOLES. DO NOT EXCEED 0.375 INSERTION DEPTH
5. DO NOT BLOCK VENT HOLES. ENSURE A MINIMUM OF 0.5 CLEARANCE TO VENT HOLES. ENSURE A MINIMUM OF 1630 CUBIC INCHES OF AIR VOLUME EXISTS AROUND MONITOR IF INSTALLED INSIDE A BULKHEAD OR ACCESS TO FREE AIR. NO EXTERNAL FORCED AIR COOLING IS REQUIRED
6. DO NOT PLUG OR UNPLUG WHILE POWER IS APPLIED
7. CARE MUST BE TAKEN TO KEEP DEBRIS FROM ENTERING ANY MONITOR OPENINGS DURING INSTALLATION AND OPERATION
8. CONNECTOR KITS NOT INCLUDED

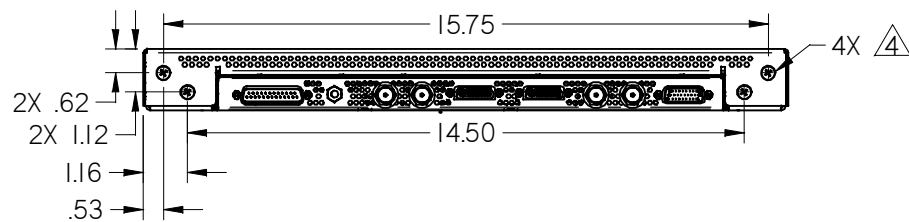
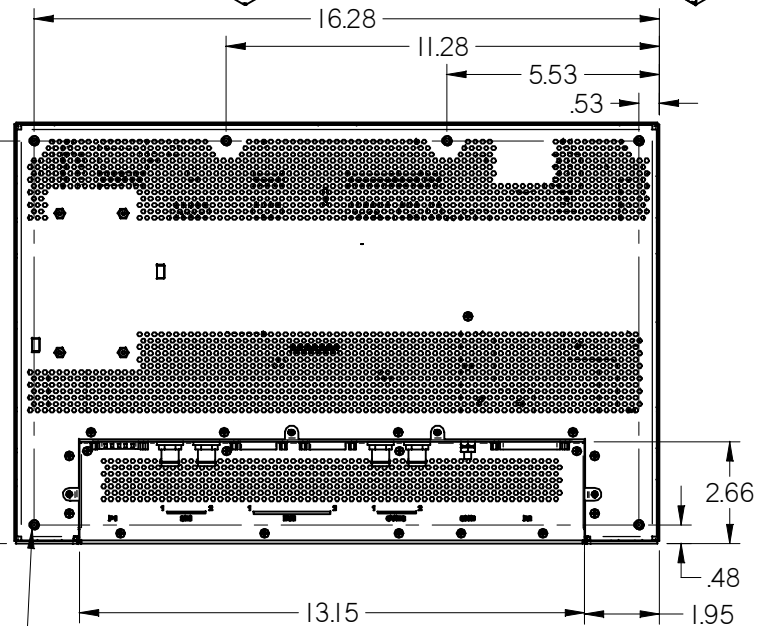
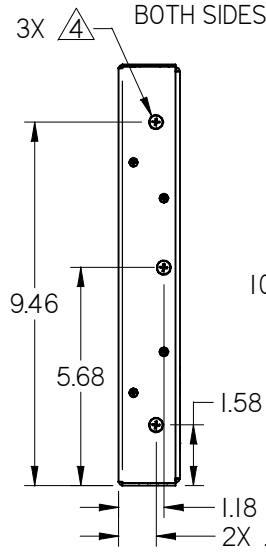
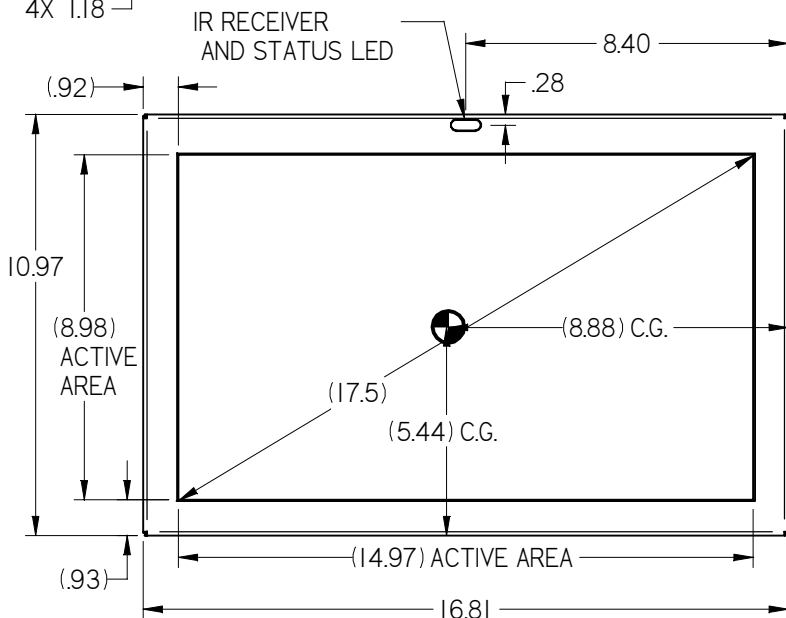
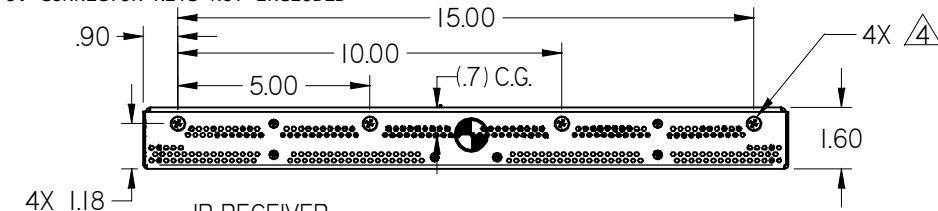
REVISIONS						
ZONE	REV	DESCRIPTION	DATE	BY	CHG NO	APRV
	A	INITIAL RELEASE	04/12/12	DE	12-0205	
PG2	B	UPD & CLARIFY MAIN CONNECTOR INTERFACE	05/02/12	DE	12-0254	MCS

**ELECTRONIC REVISION CONTROLLED**



A

A



6X #10-32 MOUNTING HOLES DO NOT EXCEED .375 DEPTH

THE INFORMATION CONTAINED HEREIN IS PROPRIETARY TO ROSEN AVIATION, LLC. IT SHALL NOT BE REPRODUCED OR DISCLOSED IN WHOLE OR IN PART OR USED FOR ANY DESIGN OR MANUFACTURE EXCEPT WHEN SUCH USER POSSESSES DIRECT, WRITTEN AUTHORIZATION FROM ROSEN AVIATION. THIS DRAWING MAY BE COVERED UNDER ONE OR MORE U.S. OR INTERNATIONAL PATENTS. PLEASE CONTACT ROSEN AVIATION FOR SPECIFIC INFORMATION.

**Rosen AVIATION** 1020 OWEN LOOP SOUTH  
EUGENE, OREGON 97402  
TEL: (541) 342-3802 FAX: (541) 342-4912

TITLE  
**OUTLINE & INSTALLATION DRAWING,  
17.5" HD WIDESCREEN MONITOR**

FIRST CALLED FOR: (FCF)

APPROVALS	INITIAL	DATE
DRAWN BY	MCS	4/10/12
CHECKER	GJH	04/11/12
ENGINEER	MCS	04/12/12

DWG NO  
1702-003-CD

SIZE	REV
A	B

SCALE N.T.S. SHEET 1 OF 2

B

B

UNLESS OTHERWISE SPECIFIED DIMENSIONS ARE IN INCHES  
 .X = ± .1  
 .XX = ± .03  
 ∅ = ± 5.0°  
 RADII = ± .020  
 INTERPRET DIM AND TOL PER ASME Y14.5M - 1994

**PERFORMANCE SPECIFICATIONS (REF)**

**LCD Performance**

Screen Resolution (pixels)	1280 x 768 (WXGA NATIVE RES.)
Video Formats Supported	480i/576i-1080p
VESA Formats	VGA through WUXGA
Display Viewing Area (mm)	380.2 (H) x 228.1 (V)
Horizontal Viewing Angle	±80°
* Vertical Viewing Angle	+80/-60°
Contrast Ratio	700 : 1
Screen Brightness	600 cd/m <sup>2</sup> MAX

**Power Requirements**

Nominal Voltage / Current	28VDC / .9A
Inrush Current Peak	6A
Inrush Current Duration	4msec
Op Voltage Range	18-32VDC
Maximum Current Draw	1.4A at 18VDC
Power Consumption	25.2 W Max

**Environmental Specifications**

Operating Temperature	0°C - 55°C
Altitude	15,000ft
Humidity	95%RH
Vibration	1.48 grms
Power Input	DO-160F Cat A/Z
Radio Frequency	DO-160F Cat T
Emission of RF Energy	DO-160F Cat M

\* LCD Manufacturer's Specifications.

**Main Interface Connector**

Connector Type: HD-26 Male  
Mate: HD-26 Female  
Tyco 1658682-1  
Contact: 1658686-3  
Connector Kit: 0300-043

Pin #	Function
1	IR+5V_OUT
2	SELECT_SW_IN
3	Reserved
4	PWR_Control_In
5	Reserved
6	IR_GND
7	Discrete Relay Output/Error State*
8	GND
9	GND
10	RS-232 CONTROL GND
11	RS-232-TX CONTROL
12	RS-232-RX CONTROL
13	RS-485-P
14	RS-485-N
15	RS-485-P
16	RS-485-N
17	GND
18	EXT_IR-IN
19	Reserved
20	NC
21	Reserved
22	Discrete Relay Input/Error State*
23	RC ENABLE
24	RS-232-TX DEBUG
25	RS-232-RX DEBUG
26	RS-232 DEBUG GND

**CVBS Connectors**

Connector Type: BNC  
Input Impedance is 75-Ohms  
Connector Kit: 0300-051

Pin #	Function
Center Pin	CVBS - (Composite)
Outer Ring	CVBS Return

**SDI Connectors**

Connector Type: BNC  
Input Impedance is 75-Ohms  
Connector Kit: 0300-051

Pin #	Function
Center Pin	SDI - (HD/SD)
Outer Ring	SDI Return

**Component/Digital Connector**

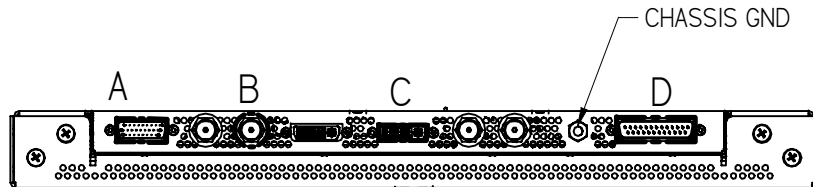
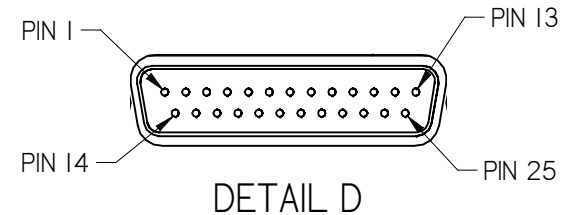
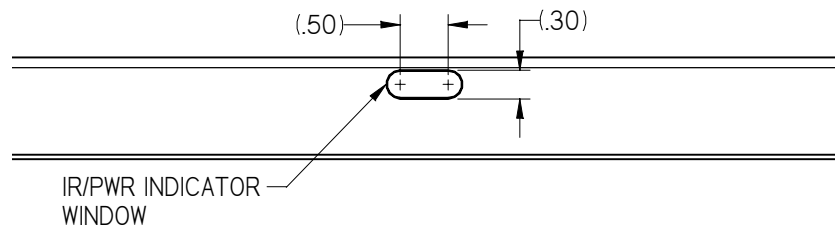
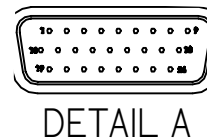
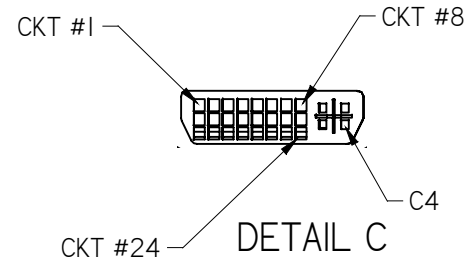
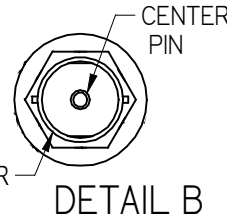
Connector Type: DVH Receptacle  
Analog RGB/H/V and Analog Component Video  
Digital DVI/HDMI Audio & Video  
Connector Kit: 0300-029

Pin #	Function	Pin #	Function
1	TMDS Data2-	16	Hot Plug Detect
2	TMDS Data2+	17	TMDS Data0-
3	TMDS Data2 Shield	18	TMDSData0+
4	Reserved	19	TMDS Data0 Shield
5	Reserved	20	Reserved
6	DDC Clock [SCL]	21	Reserved
7	DDC Data [SDA]	22	TMDS Clock Shield
8	Analog Vertical Sync	23	TMDS Clock +
9	TMDS Data1-	24	TMDS Clock -
10	TMDS Data1+	C1	Analog Red (or Component Pr)
11	TMDS Data1 Shield	C2	Analog Green (or Component Y)
12	Reserved	C3	Analog Blue (or Component Pb)
13	Reserved	C4	Analog Horizontal Sync
14	+5 V Power	C5	Analog GND Return: ( RGB or YPbPr)
15	Ground (for +5 V)		

**DB25 CONNECTOR PINOUT**

Connector: 25 Pin Male D-Subminiature  
TYCO 5747842-3  
Mate: 25 Pin Female D-Subminiature  
TYCO 207463-1  
Contact: 166051-1  
Connector Kit: 0300-052

Pin #	Monitor signal
1	+28 VDC
2	28 VDC RETURN
3	Reserved
4	Reserved
5	Reserved
6	Reserved
7	Reserved
8	Reserved
9	Reserved
10	Reserved
11	Reserved
12	Reserved
13	Reserved
14	Reserved
15	Reserved
16	Reserved
17	Reserved
18	Reserved
19	Reserved
20	Reserved
21	Reserved
22	Reserved
23	Reserved
24	Reserved
25	Reserved



THE INFORMATION CONTAINED HEREIN IS PROPRIETARY TO ROSEN AVIATION, LLC. IT SHALL NOT BE REPRODUCED OR DISCLOSED IN WHOLE OR IN PART OR USED FOR ANY DESIGN OR MANUFACTURE EXCEPT WHEN SUCH USER POSSESSES DIRECT, WRITTEN AUTHORIZATION FROM ROSEN AVIATION, LLC. THIS DRAWING MAY BE COVERED UNDER ONE OR MORE U.S. OR INTERNATIONAL PATENTS, PLEASE CONTACT ROSEN AVIATION FOR SPECIFIC INFORMATION.

ROSEN AVIATION	1020 OWEN LOOP SOUTH EUGENE, OREGON 97402 TEL: (541) 342-3802 FAX: (541) 342-4912	SIZE DWG NO A 1702-003-CD	REV B
	SCALE NONE	SHEET 2 OF 2	