

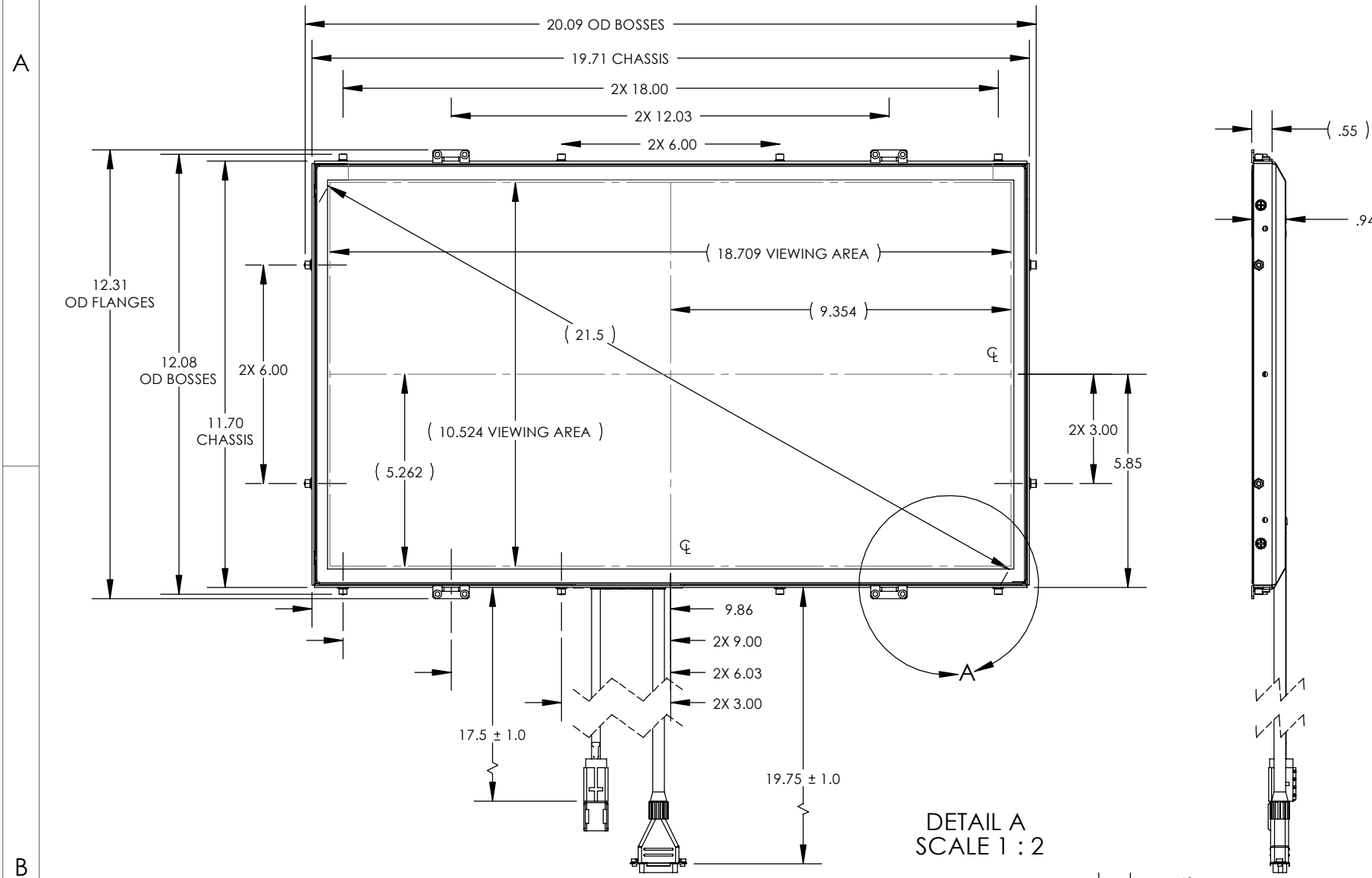
NOTES: (UNLESS OTHERWISE SPECIFIED)

1. ASSEMBLY WEIGHT: 6.5 LB MAXIMUM
2. HARNESS LENGTH: AS SHOWN
3. OBSERVE ESD SAFE HANDLING PRACTICES
4. SOME MINOR PARTS, LABELS, HARNESSES AND INSTRUCTION OMITTED FOR CLARITY
5. CLEARANCE REQUIREMENTS: 1/2" CLEARANCE TO TOP AND BOTTOM VENT HOLES OR 1/2" CLEARANCE TO BACK OF UNIT
6. MINIMUM OF 8 EA 4-40 FASTENERS REQUIRED FOR MOUNTING USING TOP AND BOTTOM FLANGES

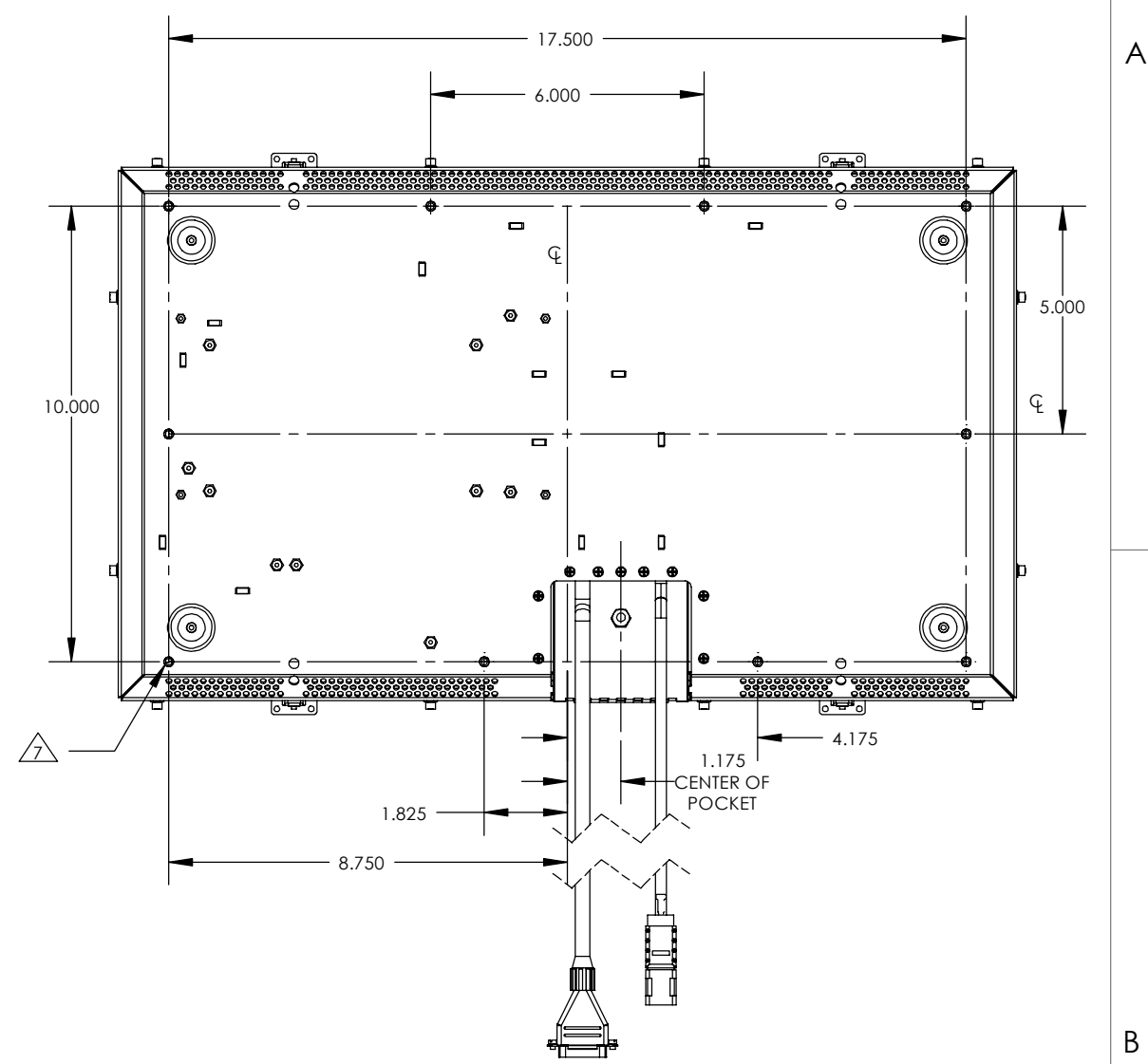
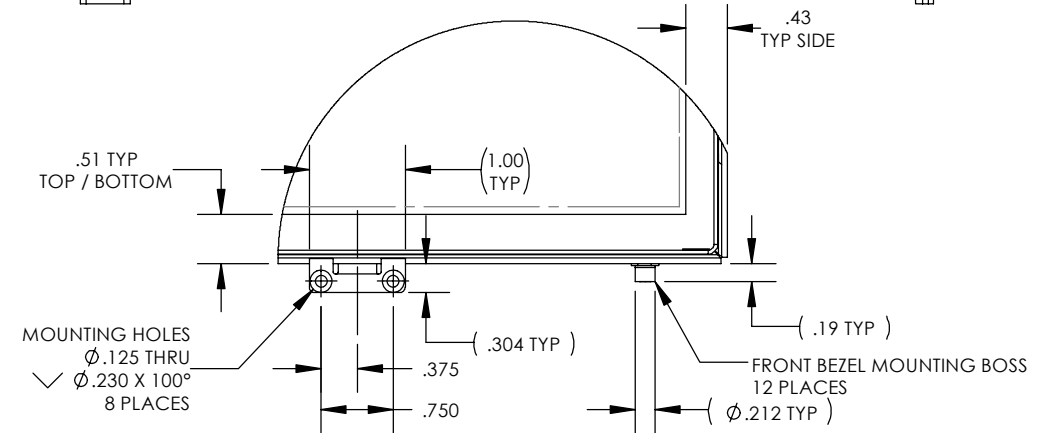
7. OPTIONAL 8-32 MOUNTING HOLES FOR BACK MOUNTING MINIMUM 4 EA 8-32 FASTENERS REQD FOR OPTIONAL BACK MOUNTING MAXIMUM 1/4" PROJECTION OF FASTENER INTO CHASSIS FROM BACK SIDE
8. CONNECTOR KITS NOT INCLUDED
9. REFER TO 2201-500 MOD 00 SYSTEM DRAWING FOR ADDITIONAL MOUNTING INFORMATION AND OPTIONS

ELECTRONIC REVISION CONTROLLED

| REVISIONS | | | | | | |
|-----------|-----|---------------------------------------------------------|----------|-----|-----------|------|
| ZONE | REV | DESCRIPTION | DATE | BY | EC NO. | APRV |
| | 1.0 | INITIAL PILOT RELEASE | 11/6/12 | MCS | NEC12-057 | |
| | A | RELEASE TO ALPHA | 03/05/13 | DE | 13-0019 | |
| | B | ADD CLARIFICATION TO RMEB & DO NOT CONNECT TO A/C POWER | 03/21/13 | DE | 13-0113 | BEF |
| PG2 | C | ADD CONNECTOR KIT TO P4 | 02/26/14 | DE | 14-0053 | BEF |



DETAIL A
SCALE 1 : 2



THE INFORMATION CONTAINED HEREIN IS PROPRIETARY TO ROSEN AVIATION, LLC. IT SHALL NOT BE REPRODUCED OR DISCLOSED IN WHOLE OR IN PART OR USED FOR ANY DESIGN OR MANUFACTURE EXCEPT WHEN SUCH USER POSSESSES DIRECT, WRITTEN AUTHORIZATION FROM ROSEN AVIATION, LLC. THIS DRAWING MAY BE COVERED UNDER ONE OR MORE U.S. OR INTERNATIONAL PATENTS, PLEASE CONTACT ROSEN AVIATION FOR SPECIFIC INFORMATION.

| | | | |
|---------------------------------------------------------------------------------------------|-----------|--------------|-------------|
| 1020 OWEN LOOP SOUTH EUGENE, OREGON 97402 TEL: (541) 342-3802 FAX: (541) 342-4912 | APPROVALS | INITIAL | DATE |
| | DRAWN BY | MCS | 7/25/12 |
| | CHECKER | DE | 03/04/13 |
| | ENGINEER | MCS | 03/05/13 |
| TITLE | | | 2201-100-CD |
| OUTLINE AND INSTALLATION DRAWING, 22" RDM | | | |
| FIRST CALLED FOR: (FCF) | | | SIZE |
| | | | B |
| | | | REV |
| | | | C |
| SCALE: 1:4 | | SHEET 1 OF 2 | |

UNLESS OTHERWISE SPECIFIED DIMENSIONS ARE IN INCHES
 .X = ± .1
 .XX = ± .03
 .XXX = ± .015
 ∠ = ± 5.0°
 RADII ± .020
INTERPRET DIM AND TOL PER ASME Y14.5M - 1994

PERFORMANCE SPECIFICATIONS (REF)

| LCD Performance* | |
|-----------------------------|-----------------------|
| Screen Resolution (pixels) | 1920 x 1080 |
| Display Viewing Area (mm) | 475.2 X 267.3 |
| Horizontal Viewing Angle | ±89° |
| Vertical Viewing Angle | ±89° |
| Contrast Ratio (Typical) | 1190:1 |
| Screen Brightness (Typical) | 450 cd/m ² |

| Power Requirements** | |
|----------------------|--------------|
| Power Consumption | 35 Watts MAX |

| Environmental Specifications | |
|------------------------------|------------------|
| Operating Temperature | 0°C - 50°C |
| Altitude | 15,000ft |
| Humidity | 95%RH |
| Vibration | 1.48 grms |
| Power Input | DO-160E Cat Z(A) |
| Radio Frequency | DO-160F Cat T |
| Emission of RF Energy | DO-160F Cat M |

* LCD MANUFACTURER'S SPECIFICATION

** SEE 0700-107-CD DRAWING FOR ADDITIONAL POWER INFORMATION

**Connector Plug To RMEB (P3)
Pinout - 15 Position**

| |
|------------------------------------------------------------------------------------|
| Connector: 15 Pin Male, Tyco 205206-3 |
| Mate: 15 Pin Female Tyco 205205-2 Contact: 66504-3 Connector Kit 0300-053 |

| Pin # | Monitor signal |
|-------|----------------|
| 1 | Reserved |
| 2 | Reserved |
| 3 | Reserved |
| 4 | PWR_POS *** |
| 5 | PWR_POS *** |
| 6 | Reserved |
| 7 | Ground |
| 8 | RS232_RX |
| 9 | Reserved |
| 10 | Reserved |
| 11 | Reserved |
| 12 | PWR_NEG |
| 13 | PWR_NEG |
| 14 | IR |
| 15 | RS232_TX |

*** DO NOT CONNECT TO AIRCRAFT POWER

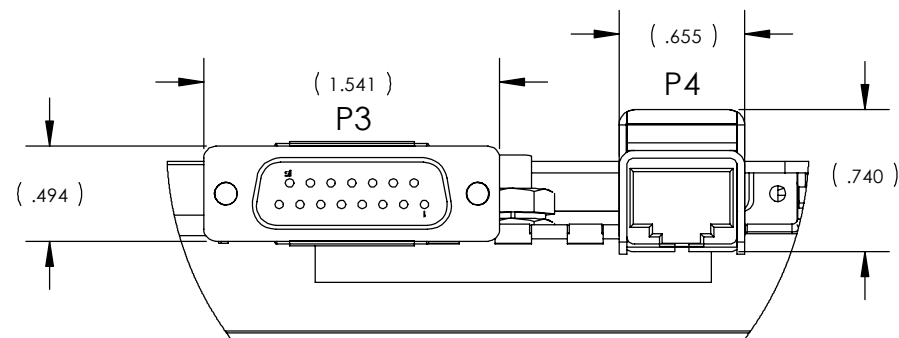
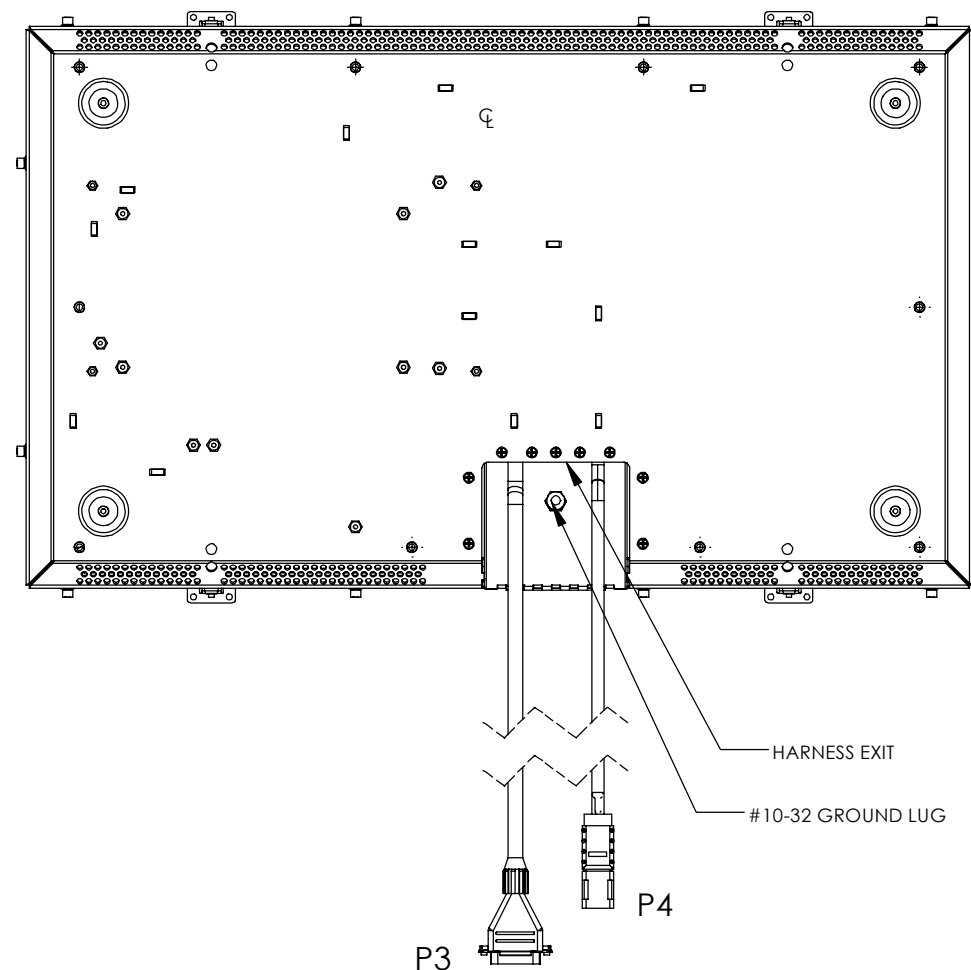
FOR INTERCONNECT CABLE RECOMMENDATIONS SEE ROSEN DOCUMENT: 105821

**Female RJ-45 (P4)
To RMEB**

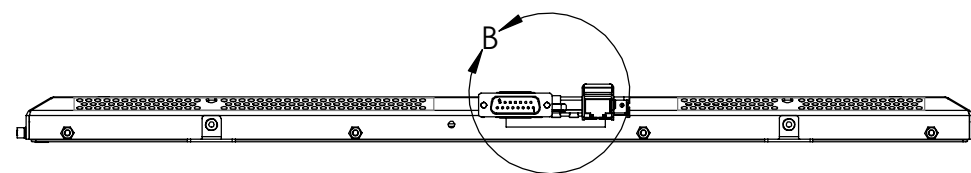
| |
|--------------------------------------------|
| Mates Male RJ-45 Connector Kit 0300-050 |
|--------------------------------------------|

| Pin # | Monitor signal |
|-------|----------------|
| 1 | CAT6_+12V |
| 2 | Ground |
| 3 | CAT6_HTPDN |
| 4 | CAT6_TX0_N |
| 5 | CAT6_TX0_P |
| 6 | CAT6_LOCKN |
| 7 | CAT6_TX1_N |
| 8 | CAT6_TX1_P |
| Shell | Ground |

FOR INTERCONNECT CABLE RECOMMENDATIONS SEE ROSEN DOCUMENT: 105821



DETAIL B



THE INFORMATION CONTAINED HEREIN IS PROPRIETARY TO ROSEN AVIATION, LLC. IT SHALL NOT BE REPRODUCED OR DISCLOSED IN WHOLE OR IN PART OR USED FOR ANY DESIGN OR MANUFACTURE EXCEPT WHEN SUCH USER POSSESSES DIRECT, WRITTEN AUTHORIZATION FROM ROSEN AVIATION, LLC. THIS DRAWING MAY BE COVERED UNDER ONE OR MORE U.S. OR INTERNATIONAL PATENTS, PLEASE CONTACT ROSEN AVIATION FOR SPECIFIC INFORMATION.

ROSEN AVIATION

1020 OWEN LOOP SOUTH
EUGENE, OREGON 97402
TEL: (541) 342-3802 FAX: (541) 342-4912

| | | |
|------------------|--------------|-----------------|
| SIZE B | 2201-100-CD | REV C |
| SCALE: 1:1 | SHEET 2 OF 2 | |