

ELECTRONIC REVISION CONTROLLED

NOTES: (UNLESS OTHERWISE SPECIFIED)

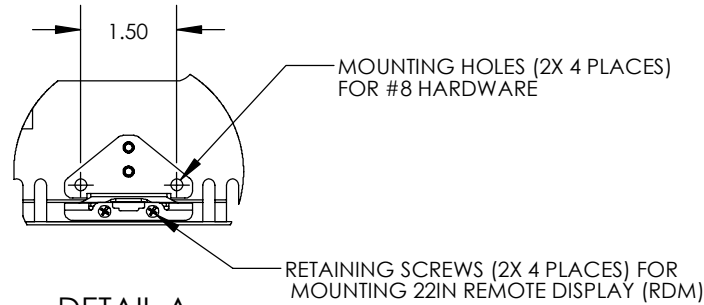
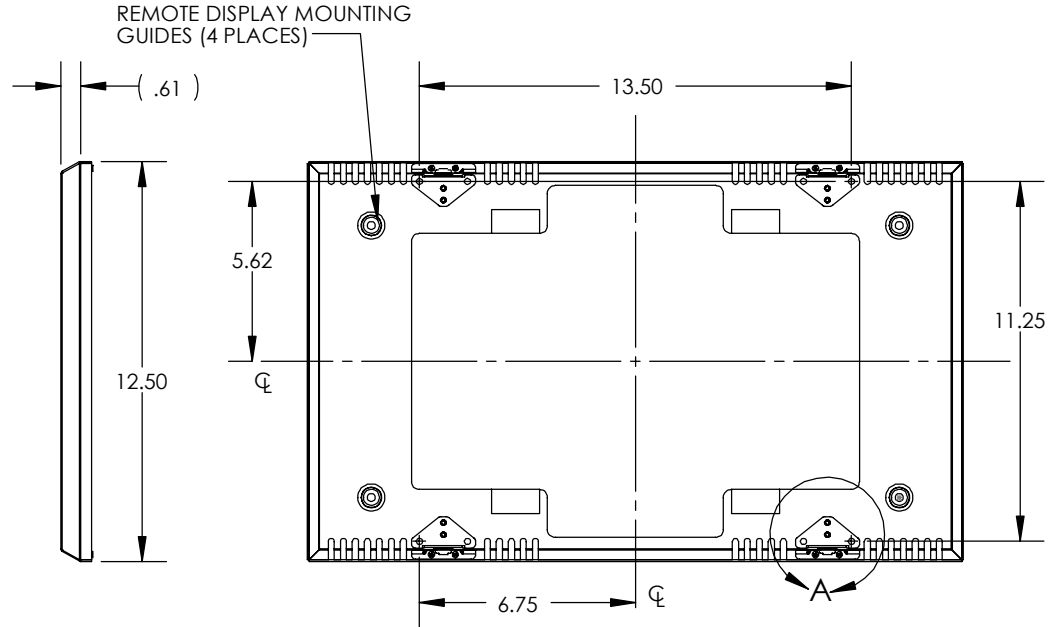
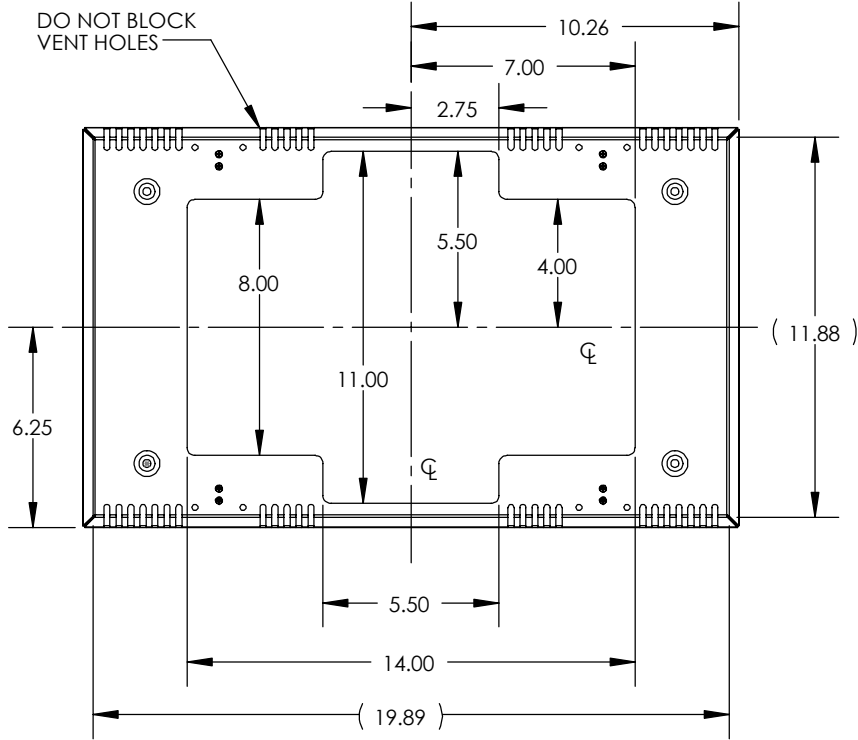
1. ASSEMBLY WEIGHT: 0.82 LBS ±10%
2. SOME MINOR PARTS, LABELS, HARNESSES AND INSTRUCTIONS OMITTED FOR CLARITY
3. REFER TO 22" RDM SYSTEM DRAWING 2201-500 FOR ADDITIONAL INSTALLATION REFFERENCE

B

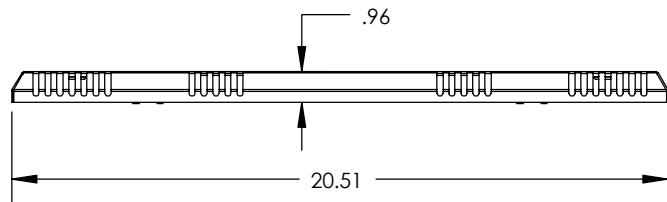
REVISIONS

ZONE	REV	DESCRIPTION	DATE	BY	EC NO.	APRV
	1.0	INITIAL PILOT RELEASE	11/7/12	MCS	NEC12-057	
	A	RELEASE TO ALPHA	01/21/13	DE	13-0020	
B1	B	ADJUST CENTER LINE	03/15/13	DE	13-0109	BEF

A



DETAIL A
SCALE 1 : 3



THE INFORMATION CONTAINED HEREIN IS PROPRIETARY TO ROSEN AVIATION, LLC. IT SHALL NOT BE REPRODUCED OR DISCLOSED IN WHOLE OR IN PART OR USED FOR ANY DESIGN OR MANUFACTURE EXCEPT WHEN SUCH USER POSSESSES DIRECT, WRITTEN AUTHORIZATION FROM ROSEN AVIATION, LLC. THIS DRAWING MAY BE COVERED UNDER ONE OR MORE U.S. OR INTERNATIONAL PATENTS. PLEASE CONTACT ROSEN AVIATION FOR SPECIFIC INFORMATION.

	1020 OWEN LOOP SOUTH EUGENE, OREGON 97402 TEL: (541) 342-3802 FAX: (541) 342-4912		APPROVALS	INITIAL	DATE
			DRAWN BY	MCS	11/7/12
			CHECKER	DE	01/14/13
		ENGINEER	MCS	01/21/13	
2201-800 CD					
OUTLINE AND INSTALLATION, COSMETIC BACK, 22"			SIZE	REV	
22in RDM - 296			A	B,	
SCALE: 1:6			SHEET 1 OF 1		

UNLESS OTHERWISE SPECIFIED DIMENSIONS ARE IN INCHES	
.X	= ± .1
.XX	= ± .03
∠	= ± 5.0°
RADII	± .020
INTERPRET DIM AND TOL PER ASME Y14.5M - 1994	

A