

1


2

3

4

NOTES: (UNLESS OTHERWISE SPECIFIED)

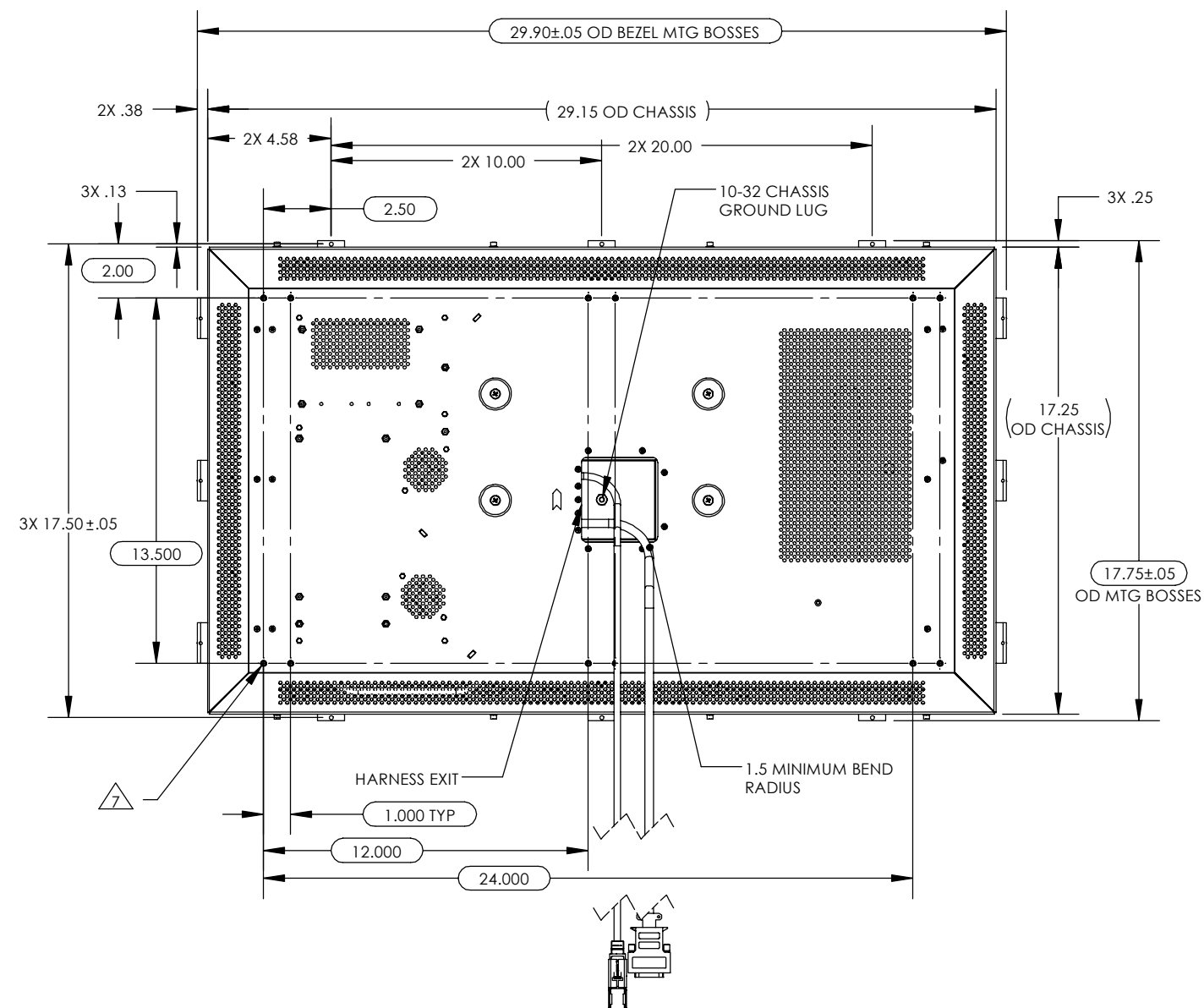
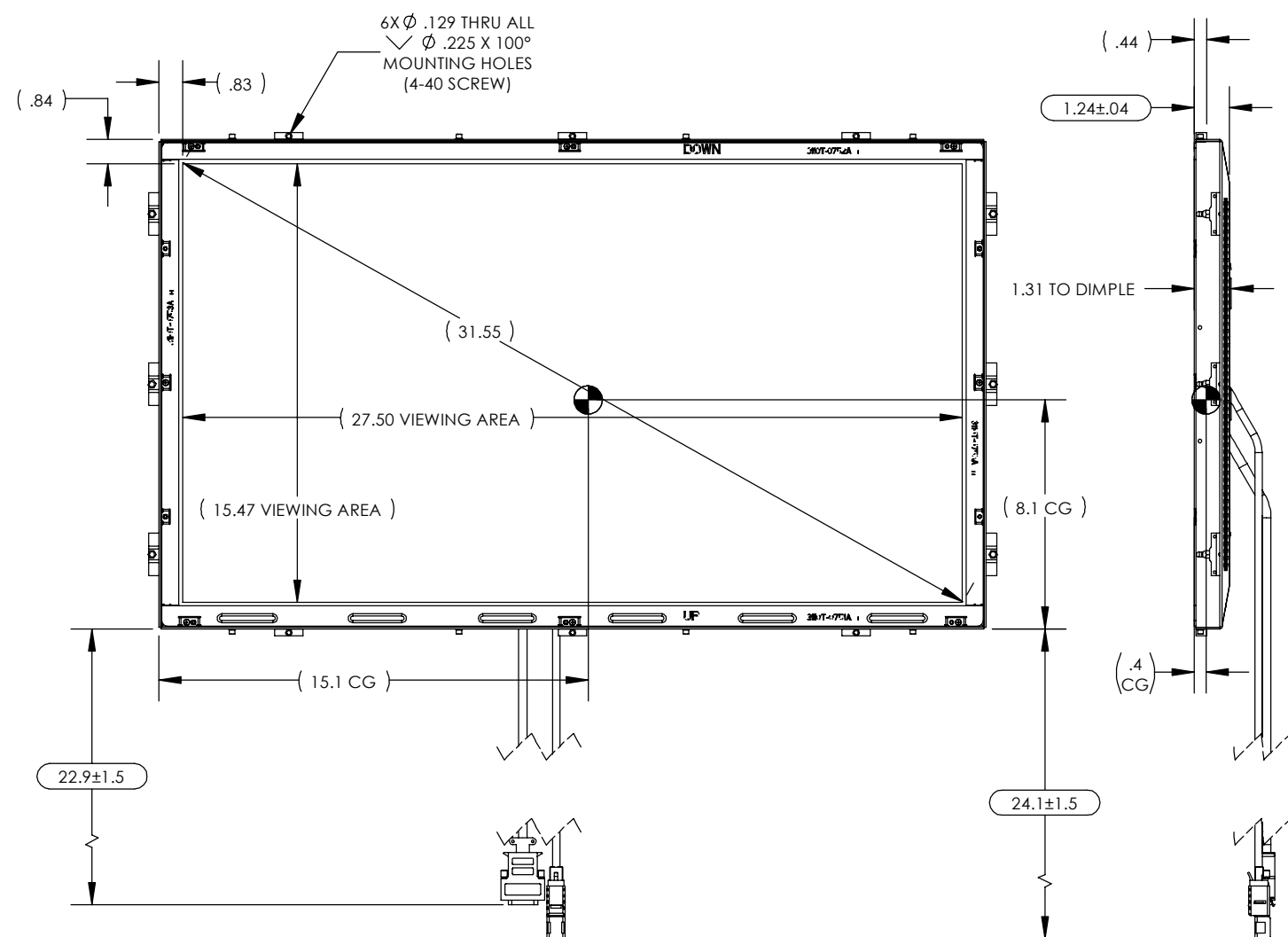
- 1. ASSEMBLY WEIGHT: 18.8 LBS. ±10%
- 2. HARNESS LENGTH: AS SHOWN
- 3. OBSERVE ESD SAFE HANDLING PRACTICES
- 4. SOME MINOR PARTS, LABELS, HARNESSES AND INSTRUCTION OMITTED FOR CLARITY
- 5. CLEARANCE REQUIREMENTS: 1/2" CLEARANCE TO TOP AND BOTTOM VENT HOLES OR 1/2" CLEARANCE TO BACK OF UNIT. MINIMUM CLEARANCE ACROSS BACK OF UNIT 3/16"
- 6. MINIMUM OF 6 EA 4-40 FASTENERS REQUIRED FOR MOUNTING

- 7. OPTIONAL 8-32 MOUNTING HOLES FOR BACK MOUNTING MINIMUM 12 EA 8-32 FASTENERS REQD FOR OPTIONAL BACK MOUNTING MAXIMUM 1/4" PROJECTION OF FASTENER INTO CHASSIS FROM BACK SIDE
- 8. CONNECTOR KITS NOT INCLUDED
- 9.  DENOTES ROSEN AVIATION FAI INSPECTION DIMENSION

ELECTRONIC REVISION CONTROLLED

REVISIONS						
ZONE	REV	DESCRIPTION	DATE	BY	EC NO.	APRV
	C	ADD .XXX TO TOLERANCE BLOCK	05/24/12	BEF	12-0293	MCS
	D	ADD INTERCONNECT CABLE REF, DEL SHEET 3	07/11/12	DE	12-0402	BEF
	F	ADDED CoM LOCATION	06/20/13	DE	13-0244	MCS

A




A

B

B

THE INFORMATION CONTAINED HEREIN IS PROPRIETARY TO ROSEN AVIATION, LLC. IT SHALL NOT BE REPRODUCED OR DISCLOSED IN WHOLE OR IN PART OR USED FOR ANY DESIGN OR MANUFACTURE EXCEPT WHEN SUCH USER POSSESSES DIRECT, WRITTEN AUTHORIZATION FROM ROSEN AVIATION, LLC. THIS DRAWING MAY BE COVERED UNDER ONE OR MORE U.S. OR INTERNATIONAL PATENTS. PLEASE CONTACT ROSEN AVIATION FOR SPECIFIC INFORMATION.

	1020 OWEN LOOP SOUTH EUGENE, OREGON 97402 TEL: (541) 342-3802 FAX: (541) 342-4912		APPROVALS	INITIAL	DATE
			DRAWN BY	BEF	12-29-11
			CHECKER	GJH	03/06/12
			ENGINEER	BEF	03/08/12
TITLE OUTLINE AND INSTALLATION DRAWING, RDM 32" W/S, FEMALE RJ45			3201-100-CD		
FIRST CALLED FOR: (FCF)			SIZE B	REV F	
			SCALE: 1:6	SHEET 1 OF 2	

UNLESS OTHERWISE SPECIFIED DIMENSIONS ARE IN INCHES
 X = ±.1
 .XX = ±.03
 .XXX = ±.015
 ∠ = ±5.0°
 RADII ±.020
INTERPRET DIM AND TOL PER ASME Y14.5M-1994

1

2

3

PERFORMANCE SPECIFICATIONS (REF)

LCD Performance*	
Screen Resolution (pixels)	1920 x 1080
Display Viewing Area (mm)	698.4 X 392.85
Horizontal Viewing Angle	±89°
Vertical Viewing Angle	±89°
Contrast Ratio (Typical)	1300:1
Screen Brightness (Typical)	450 cd/m ² typ

Power Requirements**	
Power Consumption	93 W Max

Environmental Specifications	
Operating Temperature	0°C - 50°C
Altitude	15,000ft
Humidity	95%RH
Vibration	1.48 grms
Power Input	DO-160E Cat Z(A)
Radio Frequency	DO-160F Cat T
Emission of RF Energy	DO-160F Cat M

* LCD MANUFACTURER'S SPECIFICATION
 ** SEE 0700-104-CD DRAWING FOR ADDITIONAL POWER INFORMATION

Connector Plug (P3) Pinout - 15 Position

Connector: 15 Pin Male, Tyco 205206-3
Mate: 15 Pin Female Tyco 205205-2 Contact: 66504-3 Connector Kit 0300-053

Pin #	Monitor signal
1	Reserved
2	Reserved
3	PWR_POS
4	PWR_POS
5	PWR_POS
6	Reserved
7	Ground
8	RS232_RX
9	Reserved
10	Reserved
11	PWR_NEG
12	PWR_NEG
13	PWR_NEG
14	IR
15	RS232_TX

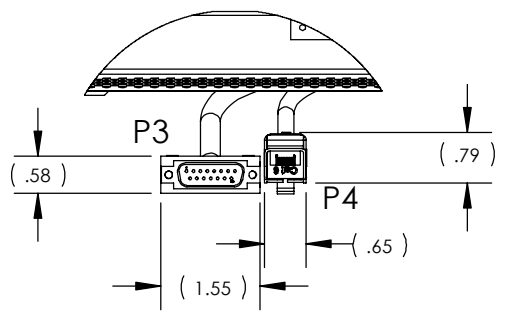
FOR INTERCONNECT CABLE RECOMMENDATIONS SEE ROSEN DOCUMENT: 105821

Female RJ-45 (P4)

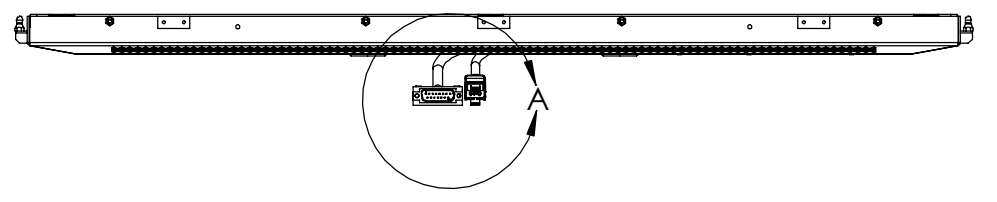
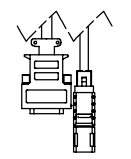
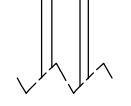
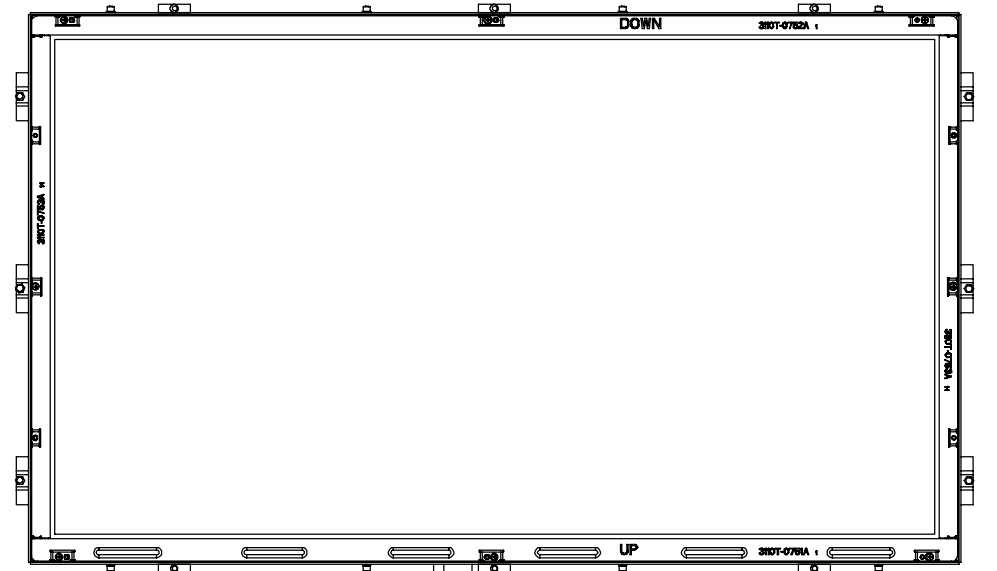
Mates Male RJ-45

Pin #	Monitor signal
1	CAT6_+12V
2	Ground
3	CAT6_HTPDN
4	CAT6_TX0_N
5	CAT6_TX0_P
6	CAT6_LOCKN
7	CAT6_TX1_N
8	CAT6_TX1_P
Shell	Ground

FOR INTERCONNECT CABLE RECOMMENDATIONS SEE ROSEN DOCUMENT: 105821



DETAIL A
SCALE 1 : 3



THE INFORMATION CONTAINED HEREIN IS PROPRIETARY TO ROSEN AVIATION, LLC. IT SHALL NOT BE REPRODUCED OR DISCLOSED IN WHOLE OR IN PART OR USED FOR ANY DESIGN OR MANUFACTURE EXCEPT WHEN SUCH USER POSSESSES DIRECT, WRITTEN AUTHORIZATION FROM ROSEN AVIATION, LLC. THIS DRAWING MAY BE COVERED UNDER ONE OR MORE U.S. OR INTERNATIONAL PATENTS, PLEASE CONTACT ROSEN AVIATION FOR SPECIFIC INFORMATION.



1020 OWEN LOOP SOUTH
 EUGENE, OREGON 97402
 TEL: (541) 342-3802 FAX: (541) 342-4912

SIZE	B	3201-100-CD	REV	F
SCALE:	1:1	SHEET 2 OF 2		