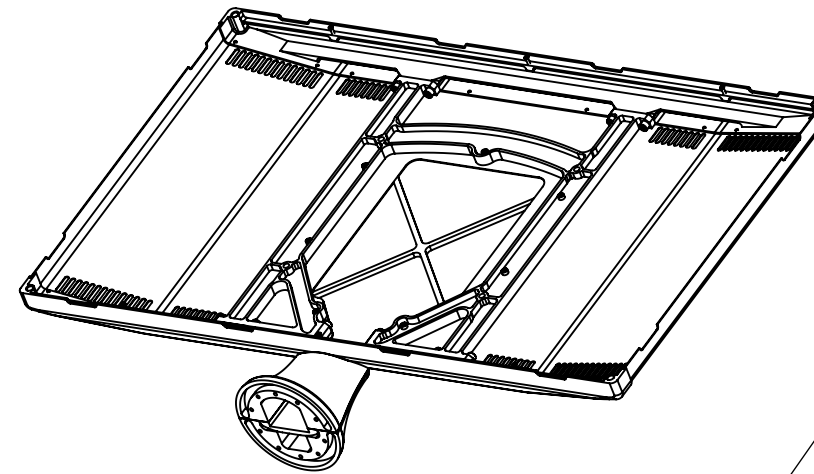


NOTES: (UNLESS OTHERWISE SPECIFIED)

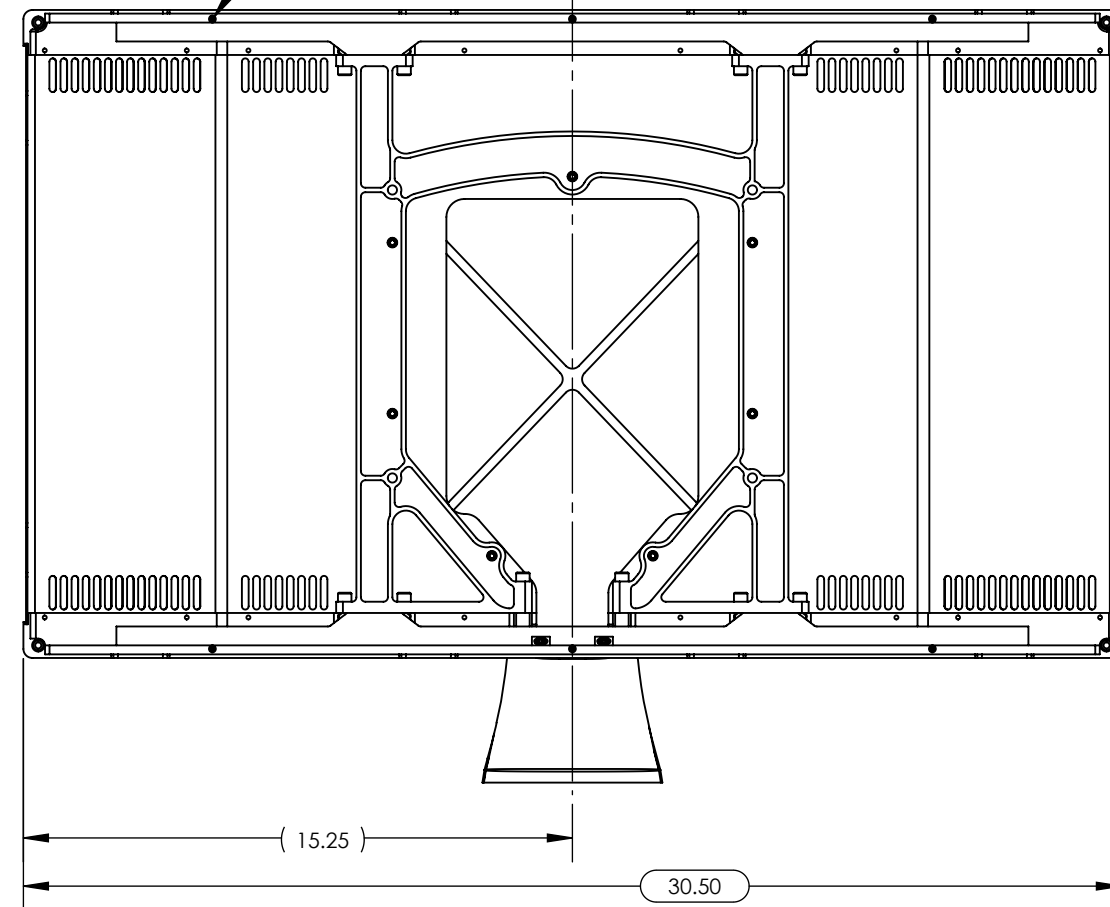
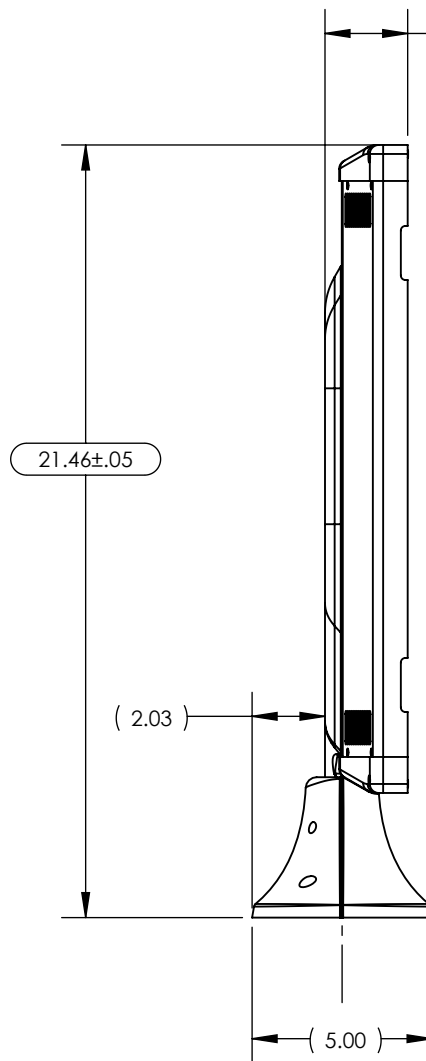
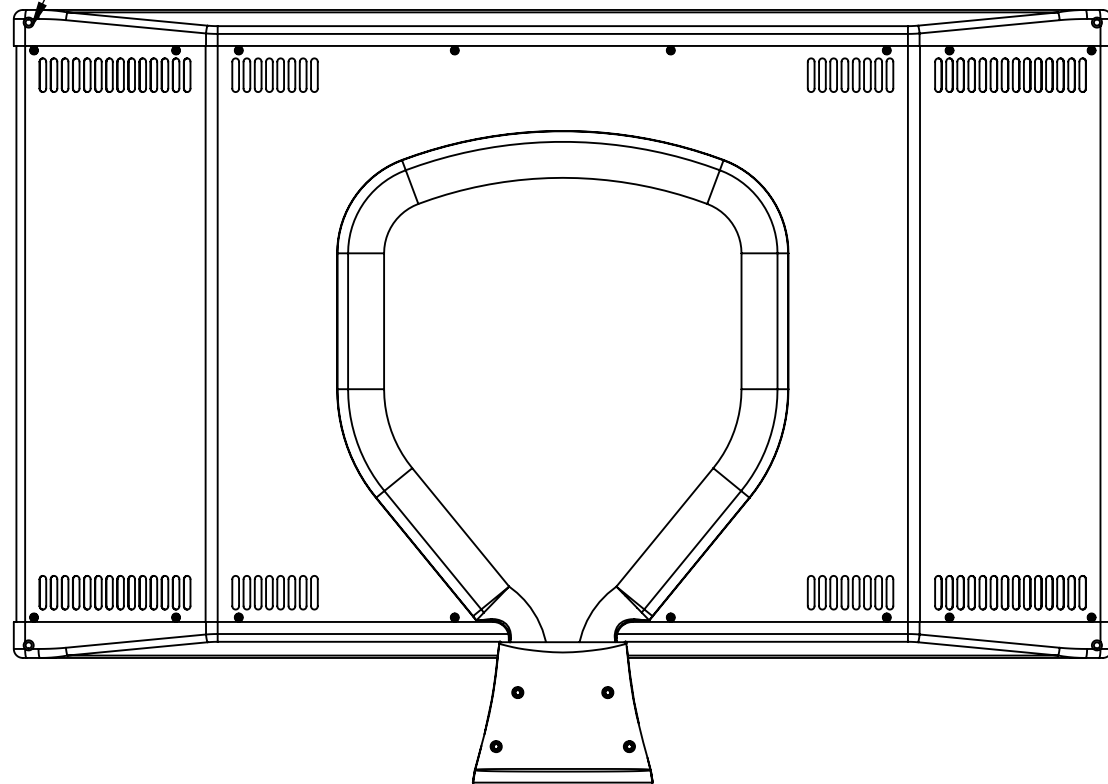
1. ASSEMBLY WEIGHT, CREDENZA MOUNT: 12.5 LBS. ±10%
2. SOME PARTS, LABELS, AND HARNESSES OMITTED FOR CLARITY
3. CENTER OF GRAVITY MARK SHOWN IS FOR SYSTEM
4.  DENOTES ROSEN AVIATION FAI INSPECTION DIMENSION

REVISIONS						
ZONE	REV	DESCRIPTION	DATE	BY	EC NO.	APRV
	1.0	INITIAL DRAWING RELEASE	2/23/2012	BEF		DE
	A	RELEASE TO ALPHA	03/08/12	DE	12-0133	




6X RDM ATTACHMENT LOCATION
USING 4-40 X .63 X 100 DEG F.H.

4X BEZEL ATTACHMENT LOCATION
USING 6-32 X .38 SHCS



THE INFORMATION CONTAINED HEREIN IS PROPRIETARY TO ROSEN AVIATION, LLC. IT SHALL NOT BE REPRODUCED OR DISCLOSED IN WHOLE OR IN PART OR USED FOR ANY DESIGN OR MANUFACTURE EXCEPT WHEN SUCH USER POSSESSES DIRECT, WRITTEN AUTHORIZATION FROM ROSEN AVIATION, LLC. THIS DRAWING MAY BE COVERED UNDER ONE OR MORE U.S. OR INTERNATIONAL PATENTS, PLEASE CONTACT ROSEN AVIATION FOR SPECIFIC INFORMATION.

 1020 OWEN LOOP SOUTH EUGENE, OREGON 97402 TEL: (541) 342-3802 FAX: (541) 342-4912	APPROVALS	INITIAL	DATE
	DRAWN BY	BEF	02/23/11
	CHECKER	GJH	03/06/12
	ENGINEER	BEF	03/08/12
TITLE: OUTLINE AND INSTALLATION DRAWING, CREDENZA MOUNT 32 W/S 900 STYLING COATED BLACK			3201-801-CD
FIRST CALLED FOR: (FCF) 32in RDM - 248			SIZE: B SCALE: 3:16 REV: A SHEET 1 OF 2

UNLESS OTHERWISE SPECIFIED DIMENSIONS ARE IN INCHES
 X = ±.1
 .XX = ±.03
 < = ± 5°
 INTERPRET DIM AND TOL PER ASME Y14.5M - 1994

1

2

3

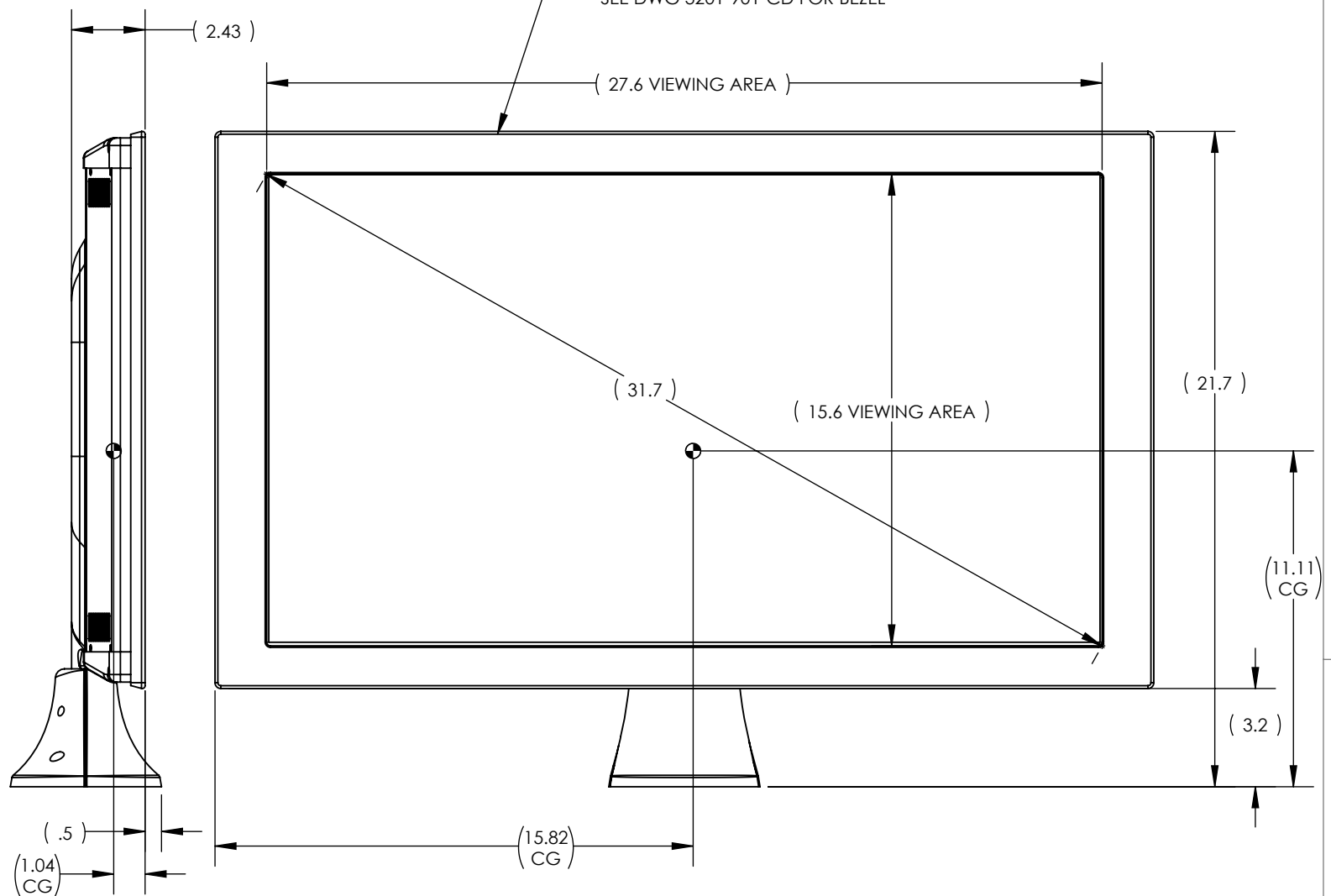
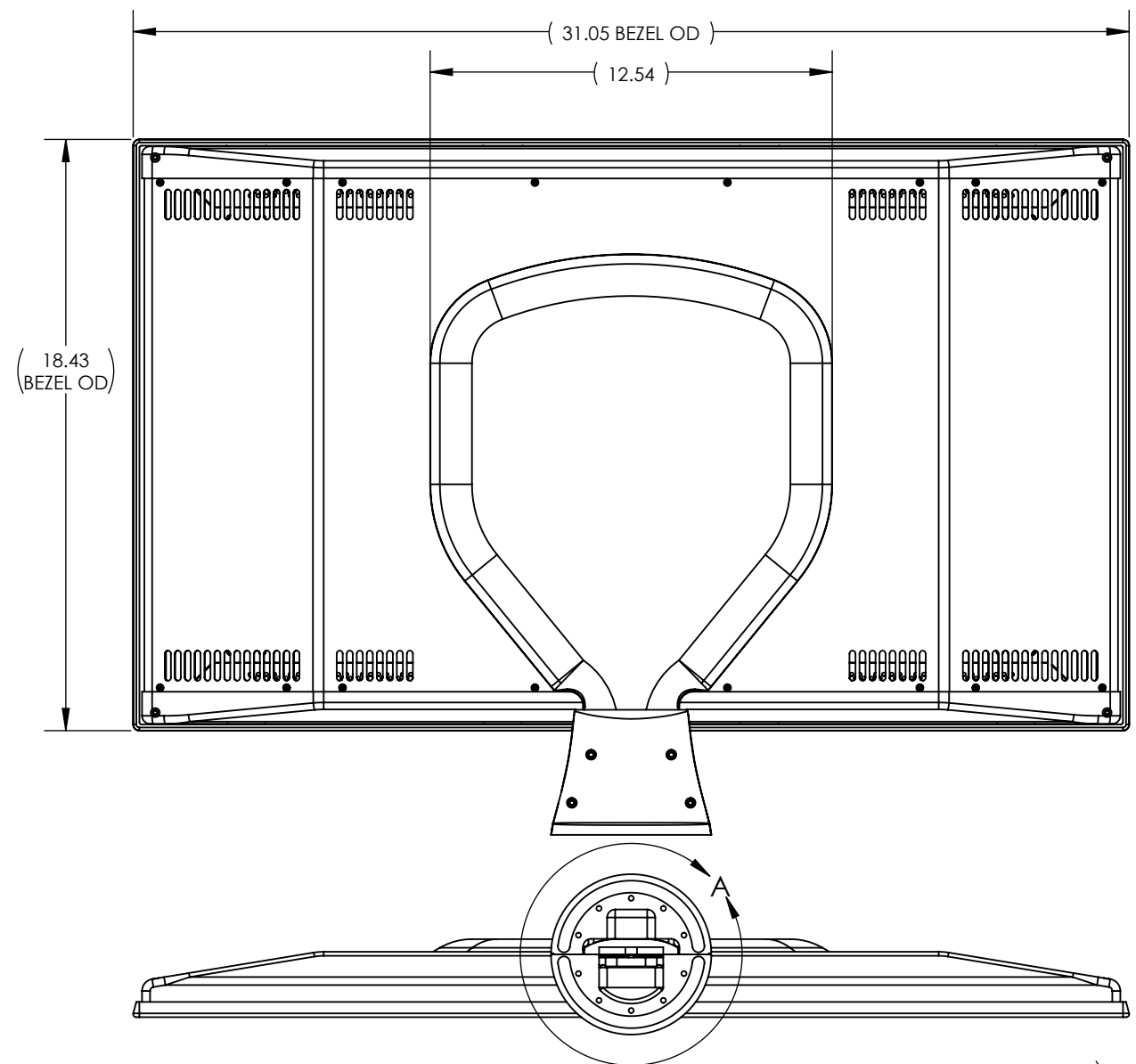
4

A

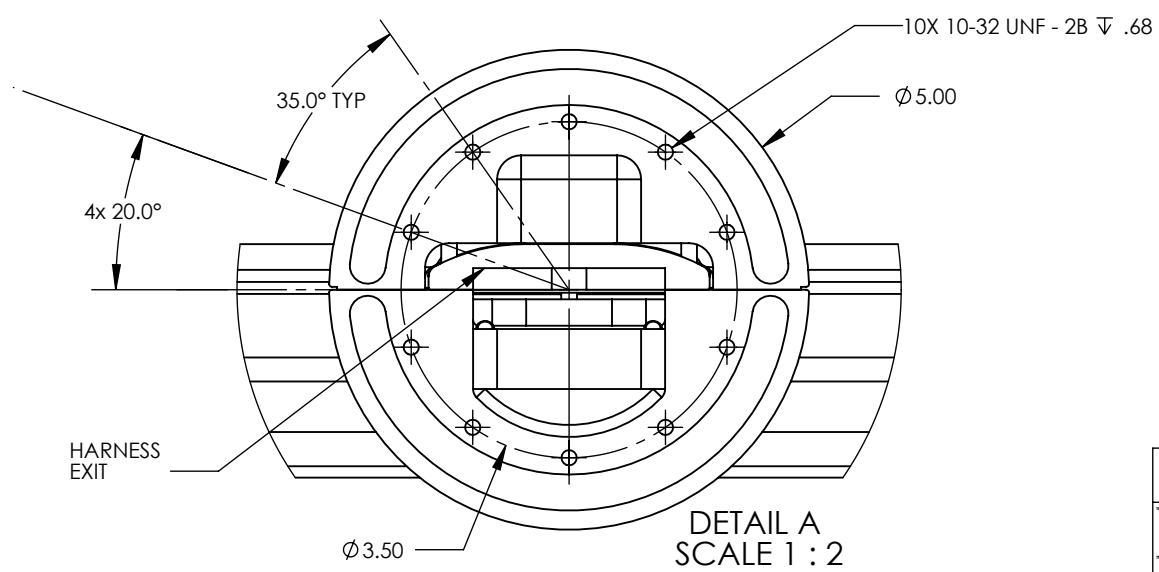
A

B

B



BEZEL AND RDM SHOWN FOR REFERENCE ONLY
 TO LOCATE CREDENZA ASSEMBLY
 SEE DWG 3201-100-CD FOR RDM
 SEE DWG 3201-901-CD FOR BEZEL



DETAIL A
 SCALE 1 : 2

THE INFORMATION CONTAINED HEREIN IS PROPRIETARY TO ROSEN AVIATION, LLC. IT SHALL NOT BE REPRODUCED OR DISCLOSED IN WHOLE OR IN PART OR USED FOR ANY DESIGN OR MANUFACTURE EXCEPT WHEN SUCH USER POSSESSES DIRECT, WRITTEN AUTHORIZATION FROM ROSEN AVIATION, LLC. THIS DRAWING MAY BE COVERED UNDER ONE OR MORE U.S. OR INTERNATIONAL PATENTS, PLEASE CONTACT ROSEN AVIATION FOR SPECIFIC INFORMATION.

ROSEN
 AVIATION

1020 OWEN LOOP SOUTH
 EUGENE, OREGON 97402
 TEL: (541) 342-3802 FAX: (541) 342-4912

SIZE	3201-801-CD	REV	A,
B			
SCALE: 3:16	SHEET 2 OF 2		