

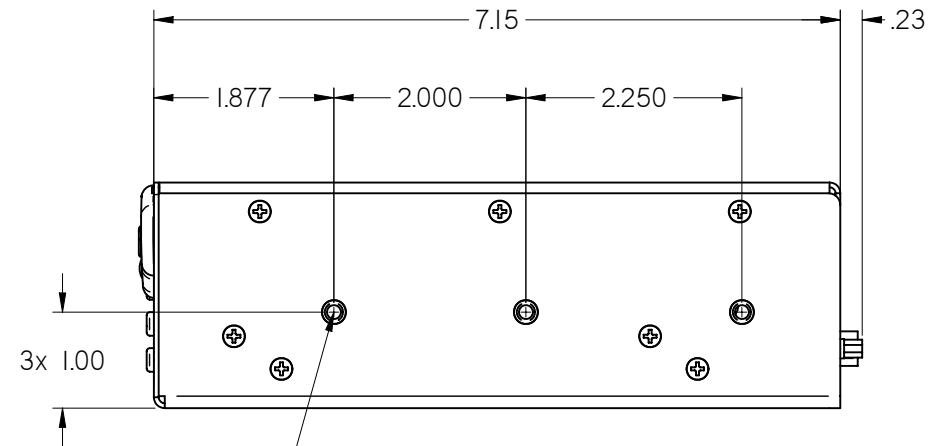
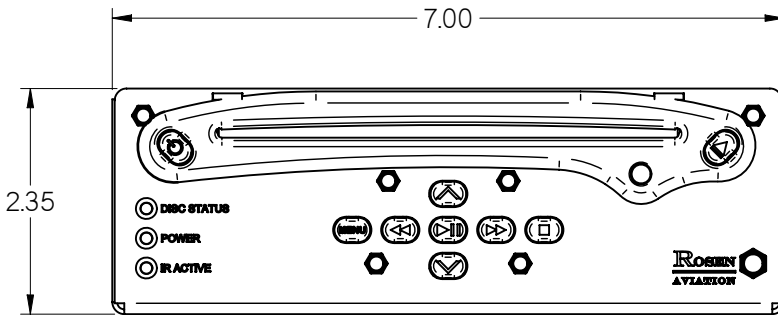
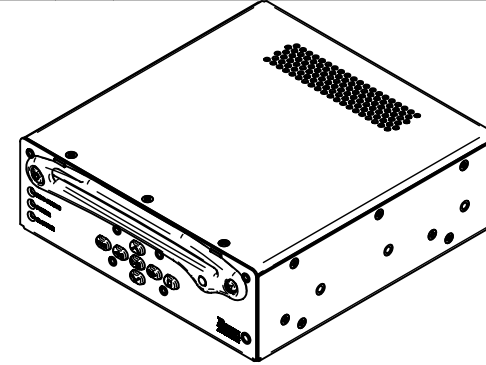
NOTES: (unless otherwise specified)

1. ASSEMBLY WEIGHT: 3.3 LB MAX
 2. FREE AIR VENTILATION REQUIRED. VENTS ON TOP AND REAR OF HOUSING REQUIRE 1" MINIMUM CLEARANCE
 3. OBSERVE ESD SAFE HANDLING PRACTICES
 4. DO NOT PLUG OR UNPLUG DVD WHEN POWER IS APPLIED
 5. SOME MINOR PARTS, LABELS, HARNESSES AND INSTRUCTIONS OMITTED FOR CLARITY
- ⚠ MOUNTING FASTENER MAX PENETRATION INTO HOUSING .5 INCHES

2

REVISIONS						
ZONE	REV	DESCRIPTION	DATE	BY	CHG NO	APRV
	A	INITIAL DRAWING RELEASE	07/20/06	GJH	EC06171	
PG 2	B	MOUNTING ORIENTATIONS ADDED	09/06/06	GJH	EC06225	SC
PG 2	C	CONNECTOR KIT P/N CORRECTED	10/24/06	GJH	EC06285	SC
PG 2	D	ADD *** NOTE TO PIN 16	11/20/06	GJH	EC06317	SC
PG 2	F	ADD PIN INFO TO J2 CONNECTOR	03/09/09	GJH	EC09107	SC
PG 2	G	CHANGE J2 PIN 1 FROM DIAG	12/03/09	GJH	EC09452	SC

ELECTRONIC REVISION CONTROLLED



⚠ 6 3x #10-32 THIS SIDE
3x #10-32 OPPOSITE

THE INFORMATION CONTAINED HEREIN IS PROPRIETARY TO ROSEN AVIATION, LLC. IT SHALL NOT BE REPRODUCED OR DISCLOSED IN WHOLE OR IN PART OR USED FOR ANY DESIGN OR MANUFACTURE EXCEPT WHEN SUCH USER POSSESSES DIRECT, WRITTEN AUTHORIZATION FROM ROSEN AVIATION. THIS DRAWING MAY BE COVERED UNDER ONE OR MORE U.S. OR INTERNATIONAL PATENTS. PLEASE CONTACT ROSEN AVIATION FOR SPECIFIC INFORMATION.

 1020 OWEN LOOP SOUTH EUGENE, OREGON 97402 TEL: (541) 342-3802 FAX: (541) 342-4912	APPROVALS	INITIAL	DATE
	DRAWN BY	GJH	07/10/06
	CHECKER	SDS	07/20/06
	ENGINEER	SC	07/20/06
TITLE OUTLINE & INSTALLATION DRAWING, DVD PLAYER, OUTLINE AND INSTALLATION DRAWING		DWG NO 0601-001-CD	
FIRST CALLED FOR: (FCF) DVD		SIZE A	REV G
		SCALE 1:2	SHEET 1 OF 2

UNLESS OTHERWISE SPECIFIED DIMENSIONS ARE IN INCHES
 .XX = ± .020
 .XXX = ± .005
 = ± 1.0°
 RADI ± .020
 INTERPRET DIM AND TOL PER ASME Y14.5M - 1994

REFER TO www.rosenaviation.com FOR THE LATEST REVISION INFORMATION.

1

2

J1 - Main Interface Connector

Connector Type: Combo-D 25WA3 Male Rosen Connector Kit: 0300-036	
Pin #	Function
1	28V Return
2	28V
3	Aux Audio In Left
4	Aux Audio In Right
5	Select Switch In (Ground Active)
6	Switched Audio Out Left
7	Switched Audio Out Right
8	Ground
9	RS232 Out
10	DVD Audio Out Left Return
11	DVD Audio Out Right Return
12	28V Return (Not necessary if Pin 1 is connected)
13	28V (Not necessary if Pin 2 is connected)
14	Aux Audio In Left Return
15	Aux Audio In Right Return
16	Cabin briefing Pause (Ground Active) ***
17	Switched Audio Out Left Return
18	Switched Audio Out Right Return
19	RS232 In
20	DVD Audio Out Left
21	DVD Audio Out Right
22	NC
A1 Signal	Switched Video Out
A1 Shield	Switched Video Out Return
A2 Signal	Aux Video In
A2 Shield	Aux Video In Return
A3 Signal	DVD Video Out
A3 Shield	DVD Video Out Return

J2 - Ext Controller Connector

Connector Type: DB9 Male Controller not available at this time	
Pin #	Function
1	PLAY/PAUSE
2	STOP
3	N/C
4	UP
5	DOWN
6	MENU
7	REW
8	FWD
9	GND

J3 - RS 485 / IR Connector

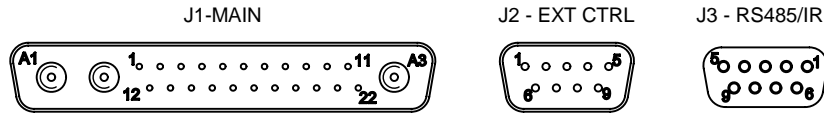
Connector Type: DB9 Female Rosen Connector Kit: 0300-027	
Pin #	Function
1	RS 485 Shield
2	RS-485 -
3	RS-485 +
4	RS-485 -
5	RS-485 +
6	Demodulated IR Signal Input**
7	RS 485 Shield
8	IR GND
9	IR +5V Out*

Performance Specifications (Reference)

Power Requirements	
Nominal Voltage	28VDC
Nominal Current	.4A ± 10%

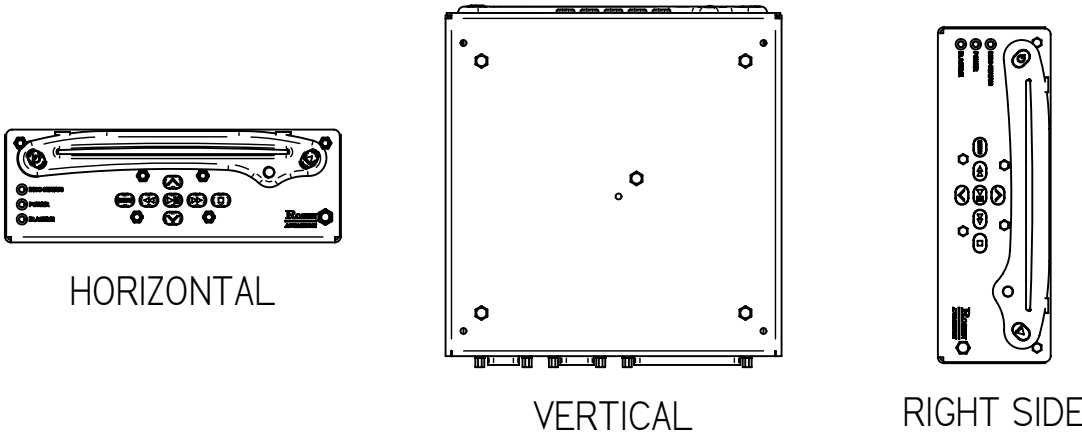
Environmental Specifications	
Operating Temperature	0°C to 50°C
Altitude	A1
Humidity	Cat. A
Vibration	Cat. S, Curve B
Power Input	A/B
Radio Frequency Susceptibility	Cat. T
Emission of RF Energy	Cat. M

REAR DVD CONNECTORS



- * +5V Out is usually connected to an external IR receiver module, 100mA maximum.
- ** Do not connect an unmodulated IR receiver such as a pin diode from an IR repeater. Do not connect any device that has a signal voltage greater than 5V.
- *** Pause behavior defined by user, for more briefing / pause options see Tech manual 100173.

ACCEPTABLE MOUNTING ORIENTATIONS



THE INFORMATION CONTAINED HEREIN IS PROPRIETARY TO ROSEN AVIATION, LLC. IT SHALL NOT BE REPRODUCED OR DISCLOSED IN WHOLE OR IN PART OR USED FOR ANY DESIGN OR MANUFACTURE EXCEPT WHEN SUCH USER POSSESSES DIRECT, WRITTEN AUTHORIZATION FROM ROSEN AVIATION, LLC. THIS DRAWING MAY BE COVERED UNDER ONE OR MORE U.S. OR INTERNATIONAL PATENTS. PLEASE CONTACT ROSEN AVIATION FOR SPECIFIC INFORMATION.

	1020 OWEN LOOP SOUTH EUGENE, OREGON 97402 TEL: (541) 342-3802 FAX: (541) 342-4912	SIZE DWG NO A 0601-001-CD	REV G
	SCALE NONE SHEET 2 OF 2		