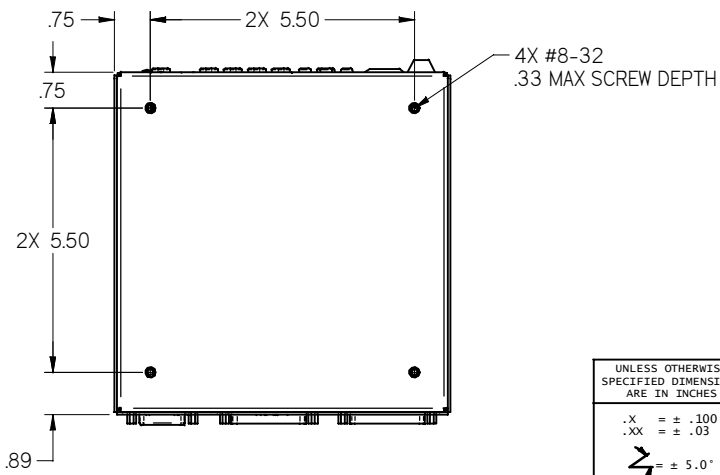
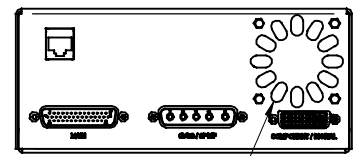
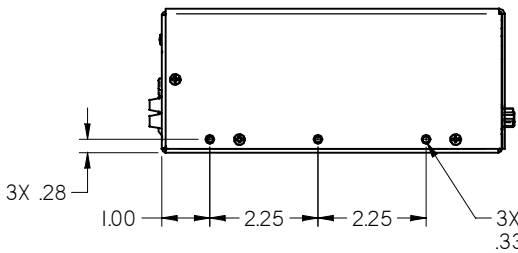
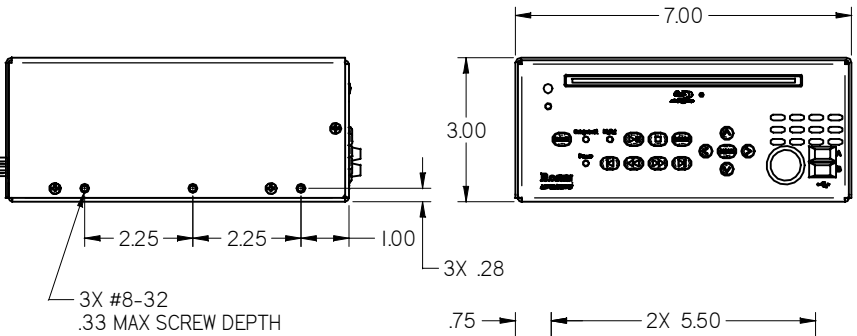
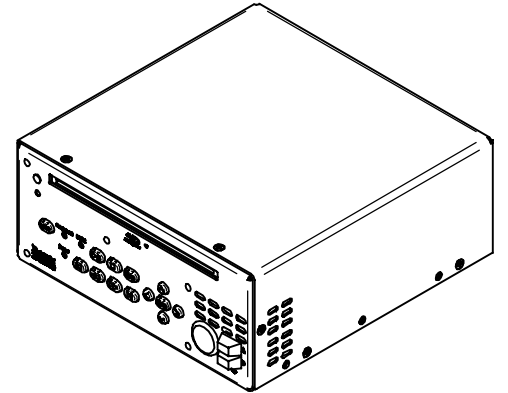
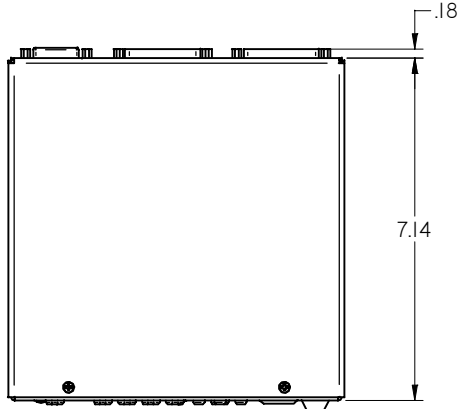


NOTES: (unless otherwise specified)

- 1. ASSEMBLY WEIGHT: 3.0 LBS. ±10%
- 2. DO NOT PLUG OR UNPLUG PLAYER WHEN POWER IS APPLIED
- 3. MAINTAIN 1/2" MIN CLEARANCE TO FRONT AND REAR OF PLAYER FOR VENTILATION
- 4. CARE MUST BE TAKEN TO PREVENT DEBRIS FROM ENTERING VENT HOLES DURING INSTALLATION AND OPERATION

# ELECTRONIC REVISION CONTROLLED

REVISIONS						
ZONE	REV	DESCRIPTION	DATE	BY	CHG NO	APRV
	A	INITIAL DRAWING RELEASE	08/11/09	GJH	EC09313	
	B	ADD NOTE 3, UPDATE PERFORMANCE SPEC	12/21/09	GJH	EC09447	OW
pg2	C	UPDATE PERFORMANCE SPECIFICATION	02/24/10	DE	EC10081	GJH
A1-2 pg2	D	CHG PILOT OVERRIDE TO CABIN BRIEF/PAUSE ADDED NOTE 4, CALLED OUT PIN 1 (pg2)	04/19/10	DE	EC10196	GJH
	F	UPD WEIGHT, HIDE PEM INSERTS	08/03/10	DE	EC10370	GJH
	G	UPDATE LED LOCATION	12/07/10	DE	EC10598	SC
	H	UPDATE LED FEATURE	01/20/11	DE	EC11043	SC
PG2	J	ADDED CONNECTOR KIT 0300-029	11/29/11	DE	EC11702	SC



THE INFORMATION CONTAINED HEREIN IS PROPRIETARY TO ROSEN AVIATION, LLC. IT SHALL NOT BE REPRODUCED OR DISCLOSED IN WHOLE OR IN PART OR USED FOR ANY DESIGN OR MANUFACTURE EXCEPT WHEN SUCH USER POSSESSES DIRECT, WRITTEN AUTHORIZATION FROM ROSEN AVIATION. THIS DRAWING MAY BE COVERED UNDER ONE OR MORE U.S. OR INTERNATIONAL PATENTS, PLEASE CONTACT ROSEN AVIATION FOR SPECIFIC INFORMATION.

**ROSEN AVIATION** 1020 OWEN LOOP SOUTH  
 EUGENE, OREGON 97402  
 TEL: (541) 342-3802 FAX: (541) 342-4912

APPROVALS	INITIAL	DATE
DRAWN BY	SC	12/08/08
CHECKER	MCS	08/10/09
ENGINEER	DRF	08/10/09

UNLESS OTHERWISE SPECIFIED DIMENSIONS ARE IN INCHES  
 .X = ± .100  
 .XX = ± .03  
 R = ± 5.0°  
 RADII ± .020  
 INTERPRET DIM AND TOL PER ASME Y14.5M - 1994

TITLE  
**OUTLINE & INSTALLATION DRAWING, BLU-RAY DVD PLAYER**

FIRST CALLED FOR: (FCF)

DWG NO 0602-001-CD		
SIZE A		REV J
SCALE 1 : 4	SHEET 1 OF 2	

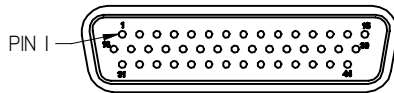
REFER TO [www.rosenaviation.com](http://www.rosenaviation.com) FOR THE LATEST REVISION INFORMATION.

**Main Interface Connector**

Connector Type: DB44 HD Male  
Rosen Connector Kit: 0300-038

Pin #	Function	Pin #	Function
1	28V DC Return	23	Volume-Controlled Front Audio Return
2	IR+5V Out*	24	Volume-Controlled Surround Audio Return
3	RS485 +	25	Fixed-Level Left Audio Return
4	RS485 +	26	Fixed-Level Right Audio Return
5	GND (RS485 Return)	27	Volume-Controlled Center/Bass Audio Return
6	NC	28	Volume-Controlled Rear Audio Return
7	NC	29	Cabin Brief/ Pause
8	Volume-Controlled Left Front Audio (line-level)	30	NC
9	Volume-Controlled Left Surround Audio (line-level)	31	28V DC Return
10	Fixed-Level Left Audio (line-level)****	32	External IR In **
11	Volume-Controlled Center Audio (line-level)	33	RS232-TX Control
12	Volume-Controlled Left Rear Audio (line-level)	34	RS232-RX Control
13	GND (Cabin Brief/ Pause Return)	35	GND (RS232 Return)
14	Discrete Relay Output ***	36	NC
15	GND (External +5Vdc Return)	37	NC
16	+28V DC In	38	Volume-Controlled Right Front Audio (line-level)
17	+28V DC In	39	Volume-Controlled Right Surround Audio (line-level)
18	External +5 VDC Out	40	Fixed-Level Right Audio (line-level)****
19	RS485 -	41	Volume-Controlled Bass Subwoofer Audio (line-level)
20	RS485 -	42	Volume-Controlled Right Rear Audio (line-level)
21	GND (RS485 Return)	43	NC
22	NC	44	GND (External IR Return)

- \* IR + 5V Out is usually connected to an external IR receiver module, 100 mA maximum.
- \*\* Do Not connect an unmodulated IR receiver such as a pin diode from an IR repeater.  
Do not connect any device that has a signal voltage greater than 5V.
- \*\*\* Discrete Relay Output switches to GND when activated
- \*\*\*\*Fixed-level can be adjusted



**MAIN**

**Performance Specifications (Reference)**

Power Requirements	
Nominal Voltage/Current	28VDC/0.8A
Inrush Current	44A
Op Voltage Range	18-32 V
Maximum Current Draw	1.28A
Power Consumption	23W

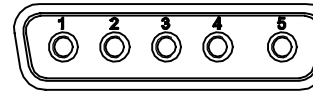
Environmental Specifications	
Operating Temperature	0°C to 50°C
Altitude	A1 (15,000 ft)
Humidity	A
Vibration	S curve B
Power Input	CAT Z
Radio Frequency Susceptibility	CAT T
Emission of RF Energy	CAT M*

\*Frequencies 1.067GHZ and 1.092GHZ had emissions exceeding CAT M by +10.0 Db and +1.1 dB, respectively

**CVBS/SPDIF Connector**

Connector Type: 5W5 Male  
Rosen Connector Kit: 0300-038

Pin #	Function
1	S/PDIF Digital Audio
2	CVBS2 Composite
3	CVBS3 Composite
4	CVBS4 Composite
5	CVBS1 Composite

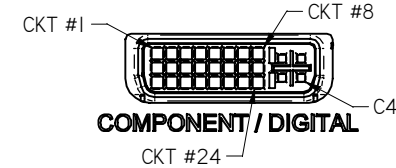


**CVBS / SPDIF**

**Component/Digital Connector**

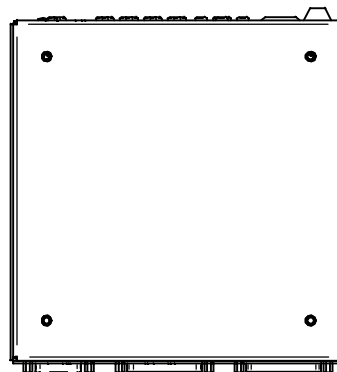
Connector Type: DVI-I Receptacle  
Rosen Connector Kit: 0300-029

Analog Component Video			
Digital DVI/HDMI Audio & Video			
Pin #	Function	Pin #	Function
1	TMDS Data2-	16	Hot Plug Detect
2	TMDS Data2+	17	TMDS Data0-
3	TMDS Data2 Shield	18	TMDSData0+
4	NC	19	TMDS Data0 Shield
5	NC	20	NC
6	DDC Clock [SCL]	21	NC
7	DDC Data [SDA]	22	TMDS Clock Shield
8	NC	23	TMDS Clock +
9	TMDS Data1-	24	TMDS Clock -
10	TMDS Data1+	C1	Analog Component Pr
11	TMDS Data1 Shield	C2	Analog Component Y
12	NC	C3	Analog Component Pb
13	NC	C4	NC
14	+5 V Power Out	C5	Analog Component Return
15	Ground (for +5 V)		

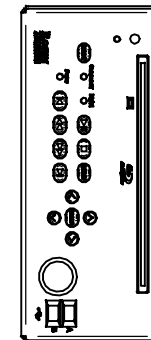


**COMPONENT / DIGITAL**

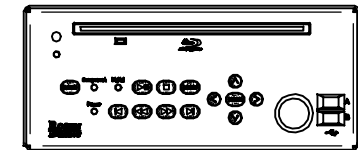
**Acceptable Mounting Orientations**



**VERTICAL**



**RIGHT OR LEFT SIDE**



**HORIZONTAL**

THE INFORMATION CONTAINED HEREIN IS PROPRIETARY TO ROSEN AVIATION, LLC. IT SHALL NOT BE REPRODUCED OR DISCLOSED IN WHOLE OR IN PART OR USED FOR ANY DESIGN OR MANUFACTURE EXCEPT WHEN SUCH USER POSSESSES DIRECT, WRITTEN AUTHORIZATION FROM ROSEN AVIATION, LLC. THIS DRAWING MAY BE COVERED UNDER ONE OR MORE U.S. OR INTERNATIONAL PATENTS, PLEASE CONTACT ROSEN AVIATION FOR SPECIFIC INFORMATION.

<b>ROSEN AVIATION</b>	1020 OWEN LOOP SOUTH EUGENE, OREGON 97402 TEL: (541) 342-3802 FAX: (541) 342-4912	SIZE DWG NO <b>A</b> 0602-001-CD	REV J
	SCALE NONE	SHEET 2 OF 2	