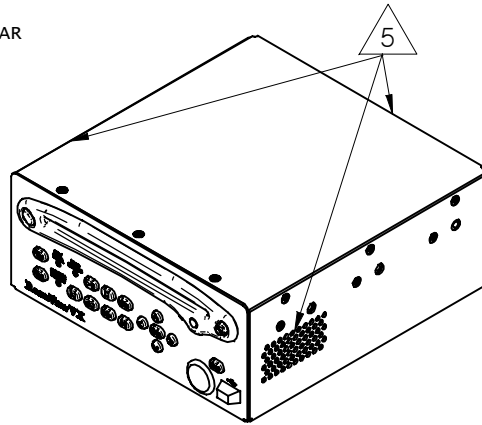


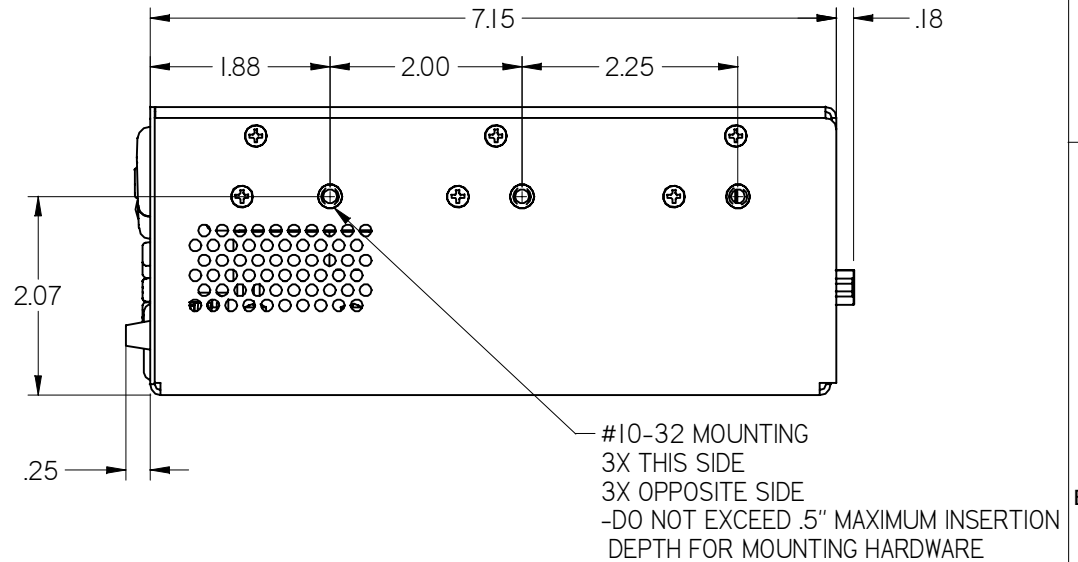
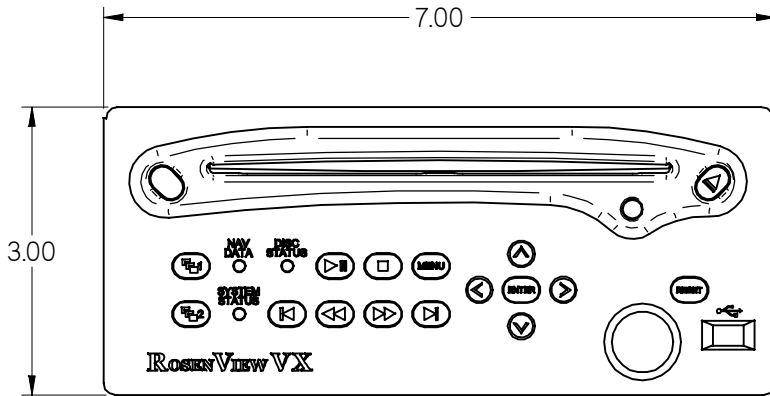
NOTES: (unless otherwise specified)

- 1. ASSEMBLY WEIGHT: 3.5 LBS. ± 5%
- 2. DO NOT PLUG OR UNPLUG UNIT WHEN POWER IS APPLIED
- 3. SOME MINOR PARTS AND LABELS OMITTED FOR CLARITY
- ▲ DRAIN HOLES NOT INTENDED FOR USE IN MOUNTING
- ▲ FREE AIR VENTILATION REQUIRED. VENTS ON SIDE AND REAR OF HOUSING REQUIRE 1" MINIMUM CLEARANCE



REVISIONS						
ZONE	REV	DESCRIPTION	DATE	BY	CHG NO	APRV
	A	INITIAL DRAWING RELEASE	04/13/07	GJH	EC07098	
	B	UPDATE DO-160 TESTING CATEGORIES	06/29/07	GJH	EC07256	SC
pg2	C	CHG PINOUT ON PIN'S 24 & 37	07/09/07	GJH	EC07270	SC
pg2	D	ADD CLARIFICATION TO J1 TABLE	07/27/07	GJH	EC07304	TF
	F	UPDATE SILKSCREEN IMAGE	09/20/07	GJH	EC07367	SC
A1	G	ADDED NOTE 4	01/14/08	GJH	EC07465	SC
A1	H	ADDED NOTE 5	04/08/08	GJH	EC08147	SC
pg2	J	CHG PINOUT ON J1 PIN'S 8 & 25	09/15/08	GJH	EC08345	DRF
pg2	K	CHG PINOUT ON J1 PIN'S 8 & 9	09/18/08	GJH	EC08390	DRF
pg2	L	CHG VIEW OF VERTICAL MOUNT ORIENT.	10/16/08	DRF	EC08425	DRF
pg2	M	ADDED '*' & '**' TO 31/32 ON J1	10/01/12	DE	12-0559	SC

ELECTRONIC REVISION CONTROLLED



THE INFORMATION CONTAINED HEREIN IS PROPRIETARY TO ROSEN AVIATION, LLC. IT SHALL NOT BE REPRODUCED OR DISCLOSED IN WHOLE OR IN PART OR USED FOR ANY DESIGN OR MANUFACTURE EXCEPT WHEN SUCH USER POSSESSES DIRECT, WRITTEN AUTHORIZATION FROM ROSEN AVIATION. THIS DRAWING MAY BE COVERED UNDER ONE OR MORE U.S. OR INTERNATIONAL PATENTS, PLEASE CONTACT ROSEN AVIATION FOR SPECIFIC INFORMATION.

ROSEN AVIATION 1020 OWEN LOOP SOUTH EUGENE, OREGON 97402 TEL: (541) 342-3802 FAX: (541) 342-4912	APPROVALS	INITIAL	DATE
	DRAWN BY	SC	1/4/07
	CHECKER	DRF	03/28/07
	ENGINEER	SC	04/11/07
TITLE	DWG NO		
OUTLINE & INSTALLATION DRAWING ROSENVIEW VX, U.S.	6064-001-CD		
FIRST CALLED FOR: (FCF)	SIZE	REV	
	A	M	
	SCALE 1:2	SHEET 1 OF 2	

UNLESS OTHERWISE SPECIFIED DIMENSIONS ARE IN INCHES
.X = ± .1
.XX = ± .03
$\text{R} \pm \pm 5.0^*$
RADII = ± .020
INTERPRET DIM AND TOL PER ASME Y14.5M - 1994

REFER TO www.rosenaviation.com FOR THE LATEST REVISION INFORMATION.

J1 - Main Interface Connector

Connector Type: DB44 HD Male Rosen Connector Kit: 0300-038			
Pin #	Function	Pin #	Function
1	28V Return	23	GND
2	ARINC 429 In 1B (PRIMARY)	24	Audio Mute/ Video Pause Discrete Input
3	ARINC 429 1 GND (PRIMARY)	25	Volume Down Discrete Output
4	ARINC 429 In 2B (SECONDARY)	26	AUX1 Audio L High In
5	RS-232 RX1 (Control Panel)	27	AUX1 Audio R High In
6	RS-232 RX2 (GPS)	28	AUX2 Audio L High In
7	RS-232 2 GND	29	AUX2 Audio R High In
8	Discrete Input 2	30	DVD Audio GND
9	Volume Up Discrete Output	31	IR 5V Out*
10	AUX1 Audio L Low In	32	IR In**
11	AUX1 Audio R Low In	33	IR GND
12	AUX2 Audio L Low In	34	GND
13	AUX2 Audio R Low In	35	Source Select 1 Discrete In
14	DVD Audio L Out	36	Source Select 2 Discrete In
15	DVD Audio R Out	37	NC
16	28V In	38	Switched 1 Audio L Out
17	NC	39	Switched 1 GND
18	ARINC 429 In 1A (PRIMARY)	40	Switched 1 Audio R Out
19	ARINC 429 2 GND (SECONDARY)	41	Switched 2 Audio L Out
20	ARINC 429 In 2A (SECONDARY)	42	Switched 2 GND
21	RS-232 TX1 (Control Panel)	43	Switched 2 Audio R Out
22	RS-232 1 GND	44	NC

J2 - Video Connector

Connector Type: 5W5 Male Rosen Connector Kit: 0300-038	
Pin #	Function
1	Moving Map Composite
2	DVD Composite Output
3	Switched 1 Composite Output
4	Switched 2 Composite Output
5	AUX 1 Composite Input

J3 - VGA Connector

Connector Type: DB15 Female Rosen Connector Kit: 0300-026	
Pin #	Function
1	Red Signal
2	Green Signal
3	Blue Signal
4	NC
5	Gnd
6	Gnd (Red return)
7	Gnd (Green return)
8	Gnd (Blue return)
9	NC
10	Gnd (Sync return)
11	NC
12	DDDA
13	HSYNC
14	VSNC
15	DDCK

Performance Specifications (Reference)

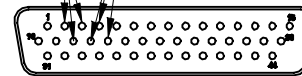
Power Requirements	
Nominal Voltage/Current	28VDC/1.6A
Inrush Current	22A for 800µsec
Op Voltage Range	18-32 VDC
Maximum Current Draw	2.4A
Power Consumption	45W

Environmental Specifications	
Operating Temperature	0°C to 50°C
Altitude	A1
Humidity	CAT. A
Vibration	CAT. S, CURVE B
Power Input	Z/B
Radio Frequency Susceptibility	CAT T
Emission of RF Energy	CAT B

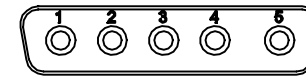
* +5V Out is usually connected to an external IR receiver module, 100 mA maximum.
 ** Do not connect an unmodulated IR receiver such as a pin diode from an IR repeater.
 Do not connect any device that has a signal voltage greater than 5V.

PIN's 2, 3 & 18 ARE PRIMARY
 PIN's 4, 19 & 20 ARE SECONDARY

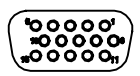
REAR ROSENVIEW VX CONNECTORS



J1-MAIN

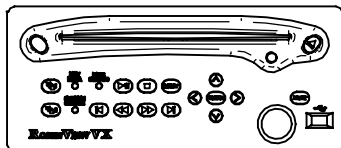


J2-VIDEO

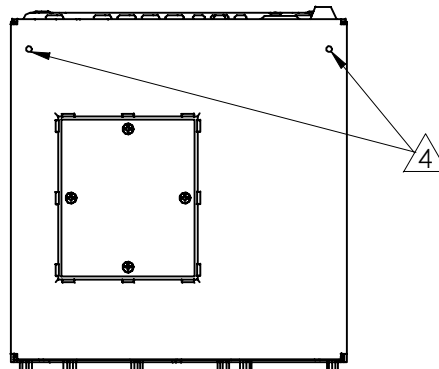


J3-VGA

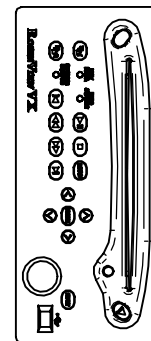
ACCEPTABLE MOUNTING ORIENTATIONS



HORIZONTAL



VERTICAL



RIGHT SIDE

THE INFORMATION CONTAINED HEREIN IS PROPRIETARY TO ROSEN AVIATION, LLC. IT SHALL NOT BE REPRODUCED OR DISCLOSED IN WHOLE OR IN PART OR USED FOR ANY DESIGN OR MANUFACTURE EXCEPT WHEN SUCH USER POSSESSES DIRECT, WRITTEN AUTHORIZATION FROM ROSEN AVIATION, LLC. THIS DRAWING MAY BE COVERED UNDER ONE OR MORE U.S. OR INTERNATIONAL PATENTS, PLEASE CONTACT ROSEN AVIATION FOR SPECIFIC INFORMATION.



1020 OWEN LOOP SOUTH
 EUGENE, OREGON 97402
 TEL: (541) 342-3802 FAX: (541) 342-4912

SIZE	DWG NO	REV
A	0604-001-CD	M
SCALE	NONE	SHEET 2 OF 2