

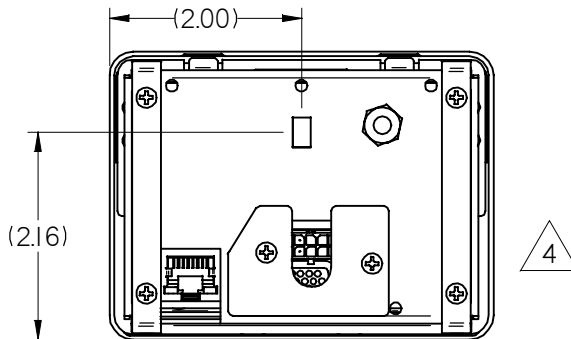
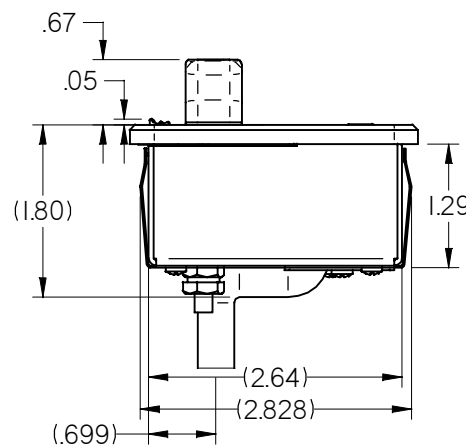
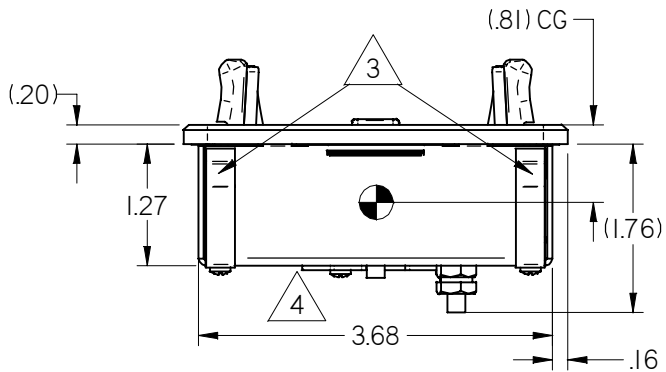
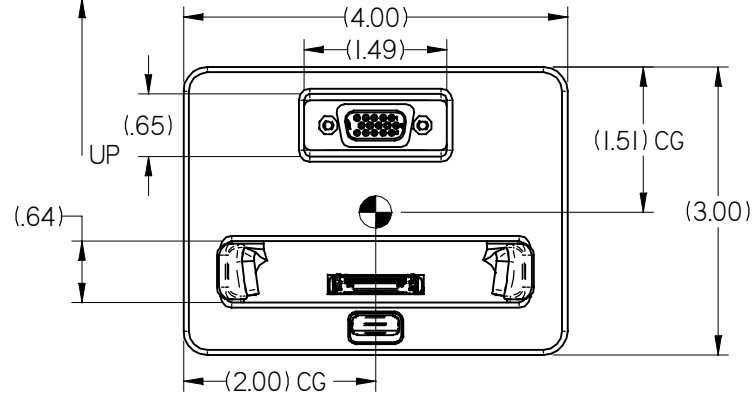
NOTES: (unless otherwise specified)

- 1. ASSEMBLY WEIGHT: .85 LBS. ±10%
- 2. DO NOT PLUG OR UNPLUG WHEN POWER IS APPLIED

3. SPRING CLIPS ARE FOR USE AS MOUNTING/LOCKING FEATURE

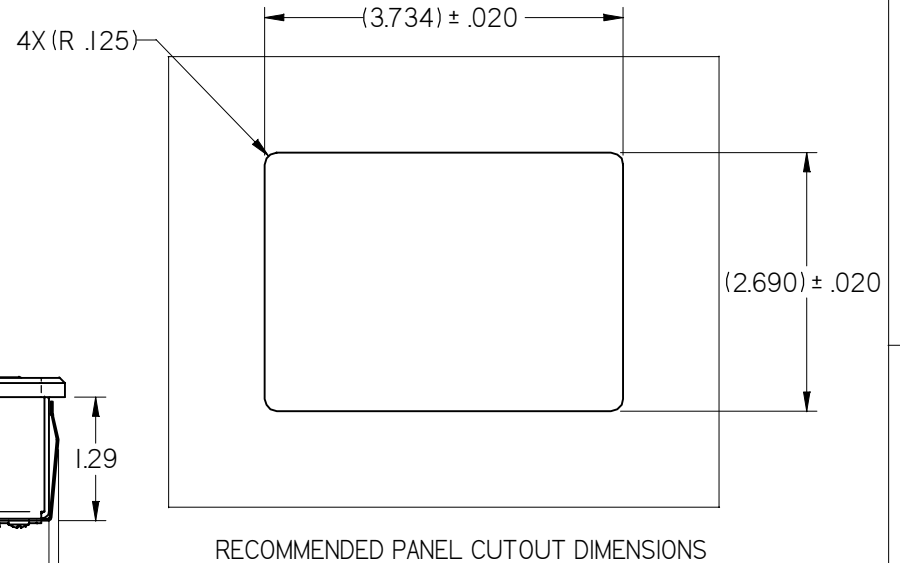
4. HARNESS NOT SHOWN FOR CLARITY

5. CONNECTOR KITS NOT INCLUDED



REVISIONS						
ZONE	REV	DESCRIPTION	DATE	BY	CHG NO	APRV
	A	INITIAL DRAWING RELEASE	10/26/11	GJH	EC11623	

ELECTRONIC REVISION CONTROLLED



THE INFORMATION CONTAINED HEREIN IS PROPRIETARY TO ROSEN AVIATION, LLC. IT SHALL NOT BE REPRODUCED OR DISCLOSED IN WHOLE OR IN PART OR USED FOR ANY DESIGN OR MANUFACTURE EXCEPT WHEN SUCH USER POSSESSES DIRECT, WRITTEN AUTHORIZATION FROM ROSEN AVIATION. THIS DRAWING MAY BE COVERED UNDER ONE OR MORE U.S. OR INTERNATIONAL PATENTS, PLEASE CONTACT ROSEN AVIATION FOR SPECIFIC INFORMATION.

Rosen AVIATION 1020 OWEN LOOP SOUTH
 EUGENE, OREGON 97402
 TEL: (541) 342-3802 FAX: (541) 342-4912

APPROVALS	INITIAL	DATE
DRAWN BY	GJH	10/05/11
CHECKER	MCS	10/10/11
ENGINEER	DRF	10/25/11

UNLESS OTHERWISE SPECIFIED DIMENSIONS ARE IN INCHES
 .X = ± .1
 .XX = ± .03
 R = ± 5.0°
 RADII = ± .020
 INTERPRET DIM AND TOL PER ASME Y14.5M - 1994

TITLE
**OUTLINE & INSTALLATION DRAWING
 MEDIA PORT w/VGA**

FIRST CALLED FOR: (FCF)

DWG NO 0700-204-CD		
SIZE A		REV A
SCALE 1:2	SHEET 1 of 2	

PERFORMANCE SPECIFICATIONS (REF)

Power Requirements	
Nominal Voltage/Current	28VDC/50mA
Inrush Current	2A @ 200 μ sec
Op Voltage Range	18-32VDC
Maximum Current Draw	0.50 A
Power Consumption	14 W Max

Environmental Specifications	
Operating Temperature	-15°C - 55°C
Altitude	15,000ft
Humidity	95%RH
Vibration	1.48 grms
Power Input	DO-160F Cat B
Radio Frequency Susceptibility	DO-160F Cat T
Emission of RF Energy	DO-160F Cat M
Waterproofness	DO-160F Cat W

P1 - INPUT/OUTPUT CONNECTOR

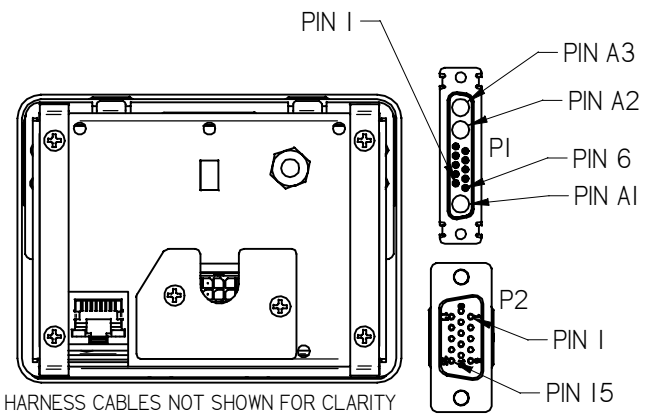
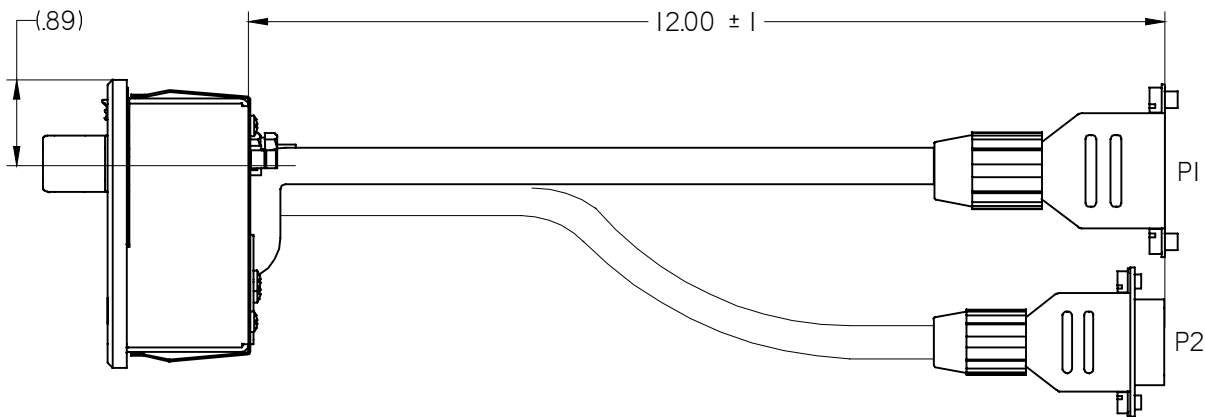
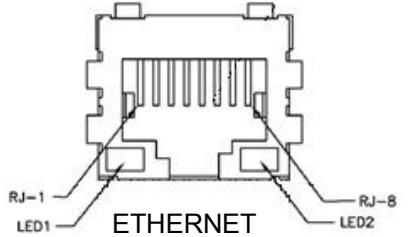
Connector Type: 13W3 Female	
Rosen Connector Kit (Sold Separately): 0300-056	
Mating Connector: 13W3 Male Connector, Rosen Part Number 104771	
Pin #	Function
1	28V Power
2	Audio Left
3	Audio Right
4	A/V Return
5	Charge Config
6	28V Return
7	GND
8	ETH Address Config 0
9	ETH Address Config 1
10	ETH Address Config 2
A1	Y
A2	Pb/Composite
A3	Pr

P2 - VGA OUTPUT CONNECTOR

Connector Type: HD-15 Female	
Rosen Connector Kit (Sold Separately): 0300-055	
Mating Connector: HD-15 Male Connector, Rosen Part Number, 104773	
PIN #	FUNCTION
1	R In
2	G In
3	B In
4	NC
5	NC
6	R Rtn
7	G Rtn
8	B Rtn
9	NC
10	GND
11	NC
12	NC
13	Hsync
14	Vsync

ETHERNET CONNECTOR

Rosen Conn Kit: (Sold Separately) 0300-050	
Connector Type: 8p8c RJ45	
Pin #	Function
1	TX+
2	TX-
3	RX+
4	NC
5	NC
6	RX-
7	NC
8	NC



HARNESS CABLES NOT SHOWN FOR CLARITY

THE INFORMATION CONTAINED HEREIN IS PROPRIETARY TO ROSEN AVIATION, LLC. IT SHALL NOT BE REPRODUCED OR DISCLOSED IN WHOLE OR IN PART OR USED FOR ANY DESIGN OR MANUFACTURE EXCEPT WHEN SUCH USER POSSESSES DIRECT, WRITTEN AUTHORIZATION FROM ROSEN AVIATION, LLC. THIS DRAWING MAY BE COVERED UNDER ONE OR MORE U.S. OR INTERNATIONAL PATENTS, PLEASE CONTACT ROSEN AVIATION FOR SPECIFIC INFORMATION.

	1020 OWEN LOOP SOUTH EUGENE, OREGON 97402 TEL: (541) 342-3802 FAX: (541) 342-4912	SIZE A	DWG NO 0700-204-CD	REV A
	SCALE NONE	SHEET 2 OF 2		