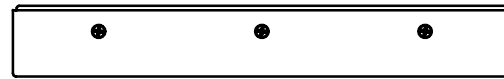


NOTES: (unless otherwise specified)

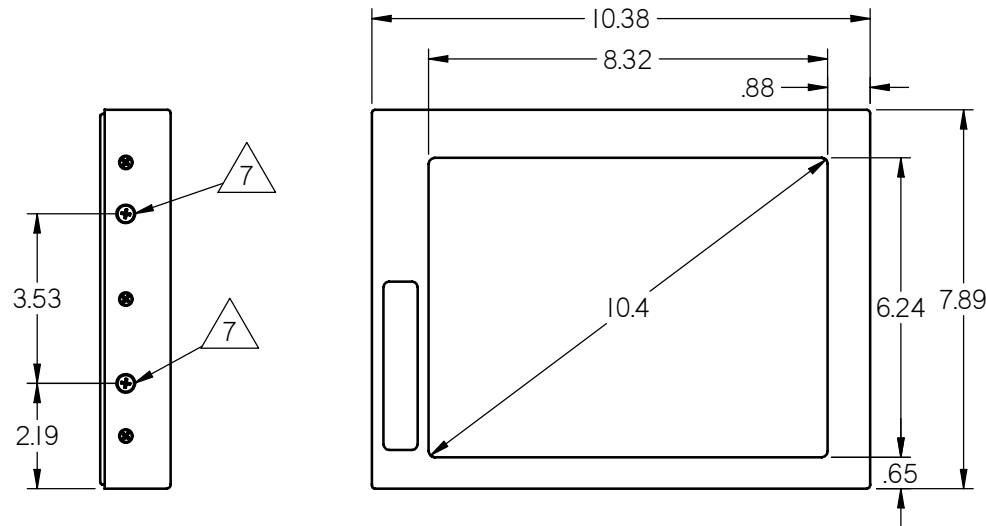
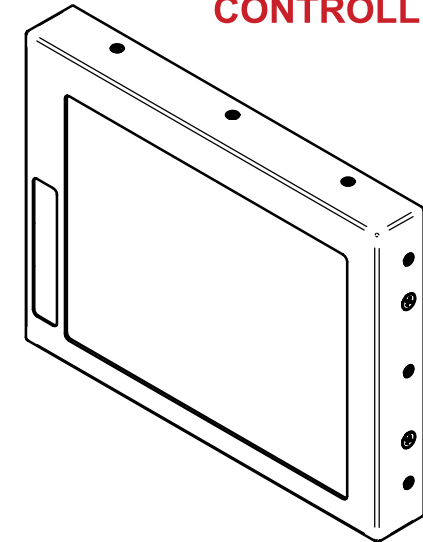
1. ASSEMBLY WEIGHT: 5.75 LBS. ± 10%
2. HARNESS LENGTH: 16.0" ± 1.0
3. SEE SEPARATE BOM FOR MATERIALS
4. OBSERVE ESD SAFE HANDLING PRACTICES.
5. DO NOT PLUG OR UNPLUG MONITOR WHEN POWER IS APPLIED.
6. SOME MINOR PARTS, LABELS AND HARNESSES OMITTED FOR CLARITY.
7. MAX THREAD INSERTION OF .375in MAX
8. FREE AIR VENTILATION REQUIRED. LEAVE BACK SURFACE VENTS UNBLOCKED.

2

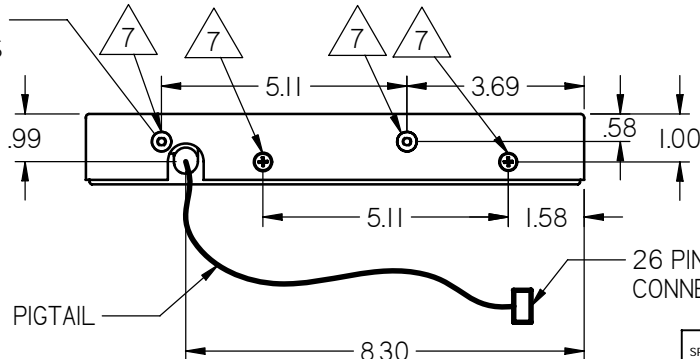
REVISIONS						
ZONE	REV	DESCRIPTION	DATE	BY	CHG NO	APRV
	A	PRODUCTION RELEASE	05/01/01	JEA	01345	CT
	B	ADD CONNECTOR KIT TO ASSEMBLY	05/08/02	JEA	02296	CT
	C	CHG CONN KIT P/N TO CONSOLIDATE N's	10/23/02	JAW	02481	
	D	CHG TLA PART NUMBER TO MODEL NUMBER UPDATE BORDER	02/28/03	JEA	03026	JW
	F	ADD MAX THREAD INSERTION DEPTH	11/08/06	GJH	EC06318	SDS
B1	G	ADD VENTILATION NOTE	11/16/06	GJH	EC06330	SDS



**ELECTRONIC
REVISION
CONTROLLED**



8x MOUNTING HOLES FOR #10-32 SCREWS



THE INFORMATION CONTAINED HEREIN IS PROPRIETARY TO ROSEN AVIATION, LLC. IT SHALL NOT BE REPRODUCED OR DISCLOSED IN WHOLE OR IN PART OR USED FOR ANY DESIGN OR MANUFACTURE EXCEPT WHEN SUCH USER POSSESSES DIRECT, WRITTEN AUTHORIZATION FROM ROSEN AVIATION. THIS DRAWING MAY BE COVERED UNDER ONE OR MORE U.S. OR INTERNATIONAL PATENTS. PLEASE CONTACT ROSEN AVIATION FOR SPECIFIC INFORMATION.

Rosen AVIATION 1020 OWEN LOOP SOUTH EUGENE, OREGON 97402 TEL: (541) 342-3802 FAX: (541) 342-4912	APPROVALS	INITIAL	DATE
	DRAWN BY	JEA	02/26/01
	CHECKER	JEAN	05/14/01
	ENGINEER	CT	05/14/01
TITLE MONITOR ASSEMBLY, BLKHD, BOT EXIT W/ MEMB SWITCH		DWG NO 1042-001	
FIRST CALLED FOR: (FCF) 10.4" SLIMLINE		SIZE A	REV G
SCALE 1:5		SHEET 1 OF 2	

UNLESS OTHERWISE SPECIFIED DIMENSIONS ARE IN INCHES
 .XX = ± .03
 ∠ = ± 5.0°
 INTERPRET DIM AND TOL PER ASME Y14.5M - 1994

B

A

B

A

1

2

Performance Specifications (reference)

LCD Performance	
Screen Resolution (pixels)	640 x 480
Video Standards supported	NTSC, PAL, SECAM
Display Viewing Area (mm)	211.2 x 158.4
Vertical Viewing Angle (CR>10)	+45°(up), -55°(down)
Horizontal Viewing Angle (CR>10)	±70°
Response Time	15 ms (typ) (white to black)
Contrast Ratio	300:1
Screen Brightness	350 cd/m2 typ 280 cd/m2 min

Power Requirements	
Nominal Power	25W (max)
Nominal Voltage	28VDC

Environmental Specifications	
Operating Temperature	0°C to 50°C
Altitude	15,000ft
Humidity	95%RH
Vibration	1.48 grms
Power Input	DO-160D Cat A
RF Susceptibility	DO-160D Cat TTX
Emission of RF Energy	DO-160D Cat M

MTBF Prediction	3,751 Hours
------------------------	-------------

26 PIN Pinout

Connector: 26in Male D-Subminiature
Positronic ODD26M0000X


Mate: 26 Pin Female D-Subminiature
Positronic ODD26F0000X

Pin #	Monitor signal
1	Red
2	Green
3	Blue
4	Reserved
5	Reserved
6	Red Return
7	Green Return
8	Blue Return
9	Reserved
10	Computer Ground
11	Reserved
12	Reserved
13	Horizontal Sync
14	Vertical Sync
15	N/C
16	Reserved
17	Reserved
18	Reserved
19	Reserved
20	Video Shield*
21	Reserved
22	Reserved
23	Reserved
24	Video Signal Input (NTSC, PAL)
25	28 Volt DC (+)
26	Power Supply Return DC (-)

Notes:

* Do not attach line to supply return or computer ground.

THE INFORMATION CONTAINED HEREIN IS PROPRIETARY TO ROSEN AVIATION, LLC. IT SHALL NOT BE REPRODUCED OR DISCLOSED IN WHOLE OR IN PART OR USED FOR ANY DESIGN OR MANUFACTURE EXCEPT WHEN SUCH USER POSSESSES DIRECT, WRITTEN AUTHORIZATION FROM ROSEN AVIATION, LLC. THIS DRAWING MAY BE COVERED UNDER ONE OR MORE U.S. OR INTERNATIONAL PATENTS. PLEASE CONTACT ROSEN AVIATION FOR SPECIFIC INFORMATION.

	1020 OWEN LOOP SOUTH EUGENE, OREGON 97402 TEL: (541) 342-3802 FAX: (541) 342-4912	SIZE A	DWG NO 1042-001	REV G
	SCALE NONE	SHEET 2 OF 2		