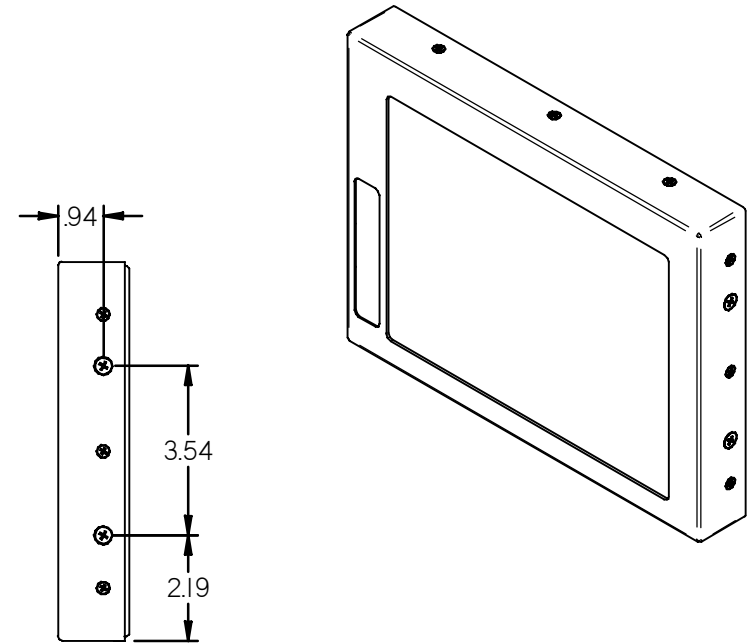
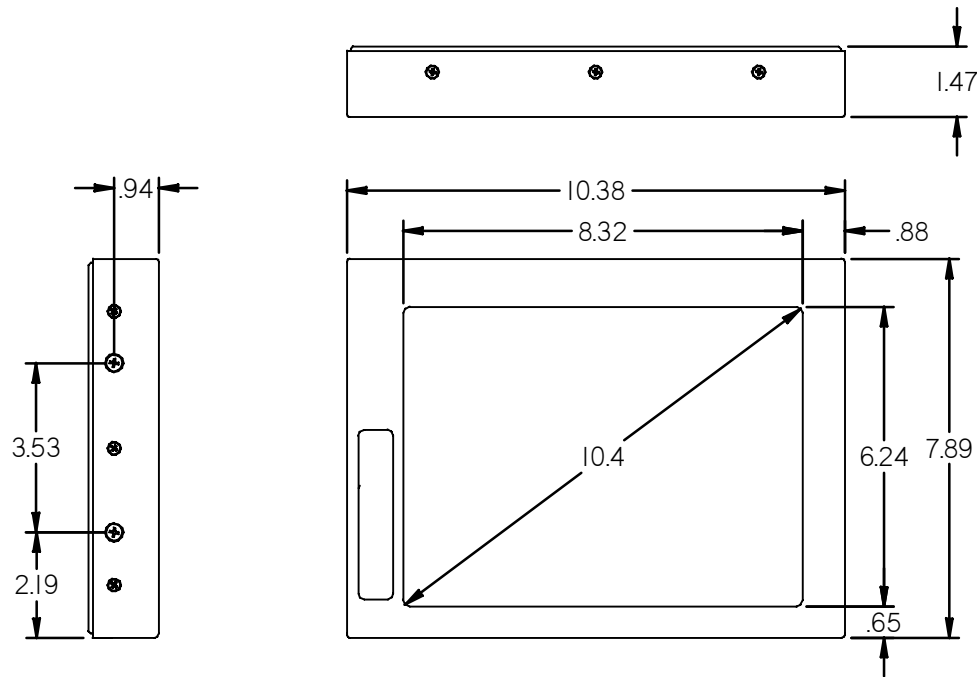


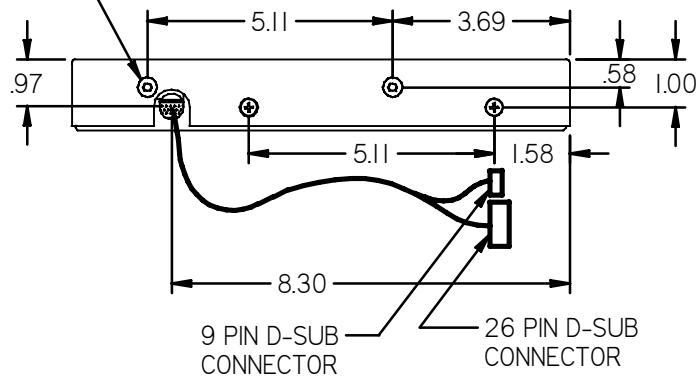
NOTES: (unless otherwise specified)

1. MATERIALS: SEE SEPARATE BOM
2. ASSEMBLY WEIGHT: 5.4 BS. ±10%
3. HARNESS LENGTH: 16.0" ± 1.0"
4. OBSERVE ESD SAFE HANDLING PRACTICES.
5. REFER TO PACKAGING MATRIX 9200-0102-914 FOR INSTRUCTIONS
6. SOME MINOR PARTS, LABELS, HARNESES AND INSTRUCTIONS OMITTED FOR CLARITY.

REVISIONS						
ZONE	REV	DESCRIPTION	DATE	BY	CO NO	APRV
-	A	PRODUCTION RELEASE	12/26/02	JAW	02518	-
-	B	CHG TLA PART NUMBER TO MODEL NUMBER UPDATE BORDER	02/28/03	JEA	03026	JW
B1	C	CORRECT WEIGHT, UPDATE DWG STD's	07/15/05	GJH	05270	SDS



8X MOUNTING HOLES FOR #10-32 SCREWS



**FOR REFERENCE ONLY**

THE INFORMATION CONTAINED HEREIN IS PROPRIETARY TO ROSEN AVIATION DISPLAYS. IT SHALL NOT BE REPRODUCED OR DISCLOSED IN WHOLE OR IN PART OR USED FOR ANY DESIGN OR MANUFACTURE EXCEPT WHEN SUCH USER POSSESSES DIRECT, WRITTEN AUTHORIZATION FROM ROSEN AVIATION DISPLAYS. THIS DRAWING MAY BE COVERED UNDER ONE OR MORE U.S. OR INTERNATIONAL PATENTS. PLEASE CONTACT ROSEN AVIATION DISPLAYS FOR SPECIFIC INFORMATION.



**ROSEN AVIATION DISPLAYS, LLC**  
1020 OWEN LOOP SOUTH EUGENE, OREGON 97402  
TEL: (541) 342-3802 FAX: (541) 342-4912

APPROVALS	INITIAL	DATE	TITLE			
DRAWN BY	JAW	01/06/03	10.4" MONITOR, w/ FRONT PANEL & EXTERNAL CONTROL			
CHECKER	JES	01/09/03				
ENGINEER	JAW	01/09/03				
PRODUCTION	JB	01/09/03				
QUALITY	PSO	01/09/03	SCALE	1:4	SHEET	1 OF 1

UNLESS OTHERWISE SPECIFIED DIMENSIONS ARE IN INCHES  
 .XX = ± .03  
  
 INTERPRET DIM AND TOL PER ASME Y14.5M - 1994

## Performance Specifications (reference)

LCD Performance	
Screen Resolution (pixels)	640 x 480
Video Standards supported	NTSC, PAL, SECAM
Display Viewing Area (mm)	211.2 x 158.4
Vertical Viewing Angle (CR>10)	+45°(up), -55°(down)
Horizontal Viewing Angle (CR>10)	±70°
Response Time	15 ms (typ) (white to black)
Contrast Ratio	300:1
Screen Brightness	350 cd/m2 typ 280 cd/m2 min

Power Requirements	
Nominal Power	25W (max)
Nominal Voltage	28VDC

Environmental Specifications	
Operating Temperature	0°C to 50°C
Altitude	15,000ft
Humidity	95%RH
Vibration	1.48 grms
Power Input	DO-160D Cat A
RF Susceptibility	DO-160D Cat TTX
Emission of RF Energy	DO-160D Cat M

<b>MTBF Prediction</b>	3,751 Hours
------------------------	-------------

## 26 Pin Connector Pinout

Connector: 26 Pin Male D-Subminiature Positronic ODD26M0000Z	
Mate: 26 Pin Female D-Subminiature Positronic ODD26F0000X	
Pin #	Monitor signal
1	Red
2	Green
3	Blue
4	Reserved
5	Reserved
6	Red Return
7	Green Return
8	Blue Return
9	Reserved
10	Computer Ground
11	Reserved
12	Reserved
13	Horizontal Sync
14	Vertical Sync
15	12 Volt DC (+) **
16	Reserved
17	Reserved
18	Reserved
19	Reserved
20	Video Shield*
21	Reserved
22	Reserved
23	Reserved
24	Video Signal Input (NTSC, PAL)
25	28 Volt DC(+)**
26	Power Supply Return DC (-)

### Notes:

\*Do not attach either line to supply return or computer ground.


\*\*Monitor operates on 12 volts or 28 volts. Do not apply both.

## DB9 Pinout

Connector: 9 Pin Male D-Subminiature Positronic SD9M0000Z	
Mate: 9 Pin Female D-Subminiature Positronic SD9F0000X	
Pin #	Monitor signal
1	Gnd
2	Power on/off
3	Menu
4	Adjust +
5	Select +
6	Reserved
7	Reserved
8	Adjust -
9	Select -

Note: All Signals use momentary switch to ground.

**FOR REFERENCE ONLY**

	<b>ROSEN AVIATION DISPLAYS, LLC</b> 1020 OWEN LOOP SOUTH EUGENE, OREGON 97402 TEL: (541) 342-3802 FAX: (541) 342-4912	
	SIZE DWG NO <b>A</b> 1042-002	REV C
SCALE NONE SHEET 2 OF 2		© 2005 ROSEN AVIATION DISPLAYS, LLC