

NOTES: (unless otherwise specified)

1. ASSEMBLY WEIGHT: 5.25 LBS. \pm 10%
2. HARNESS LENGTH: 16.0" \pm 1.0
3. SEE SEPARATE BOM FOR MATERIALS
4. OBSERVE ESD SAFE HANDLING PRACTICES.
5. DO NOT PLUG OR UNPLUG MONITOR WHEN POWER IS APPLIED.
6. SOME MINOR PARTS, LABELS AND HARNESSES OMITTED FOR CLARITY.
7. MAX THREAD INSERTION OF .375in MAX
8. FREE AIR VENTILATION REQUIRED. LEAVE BACK SURFACE VENTS UNBLOCKED.

**ELECTRONIC
REVISION
CONTROLLED**

2

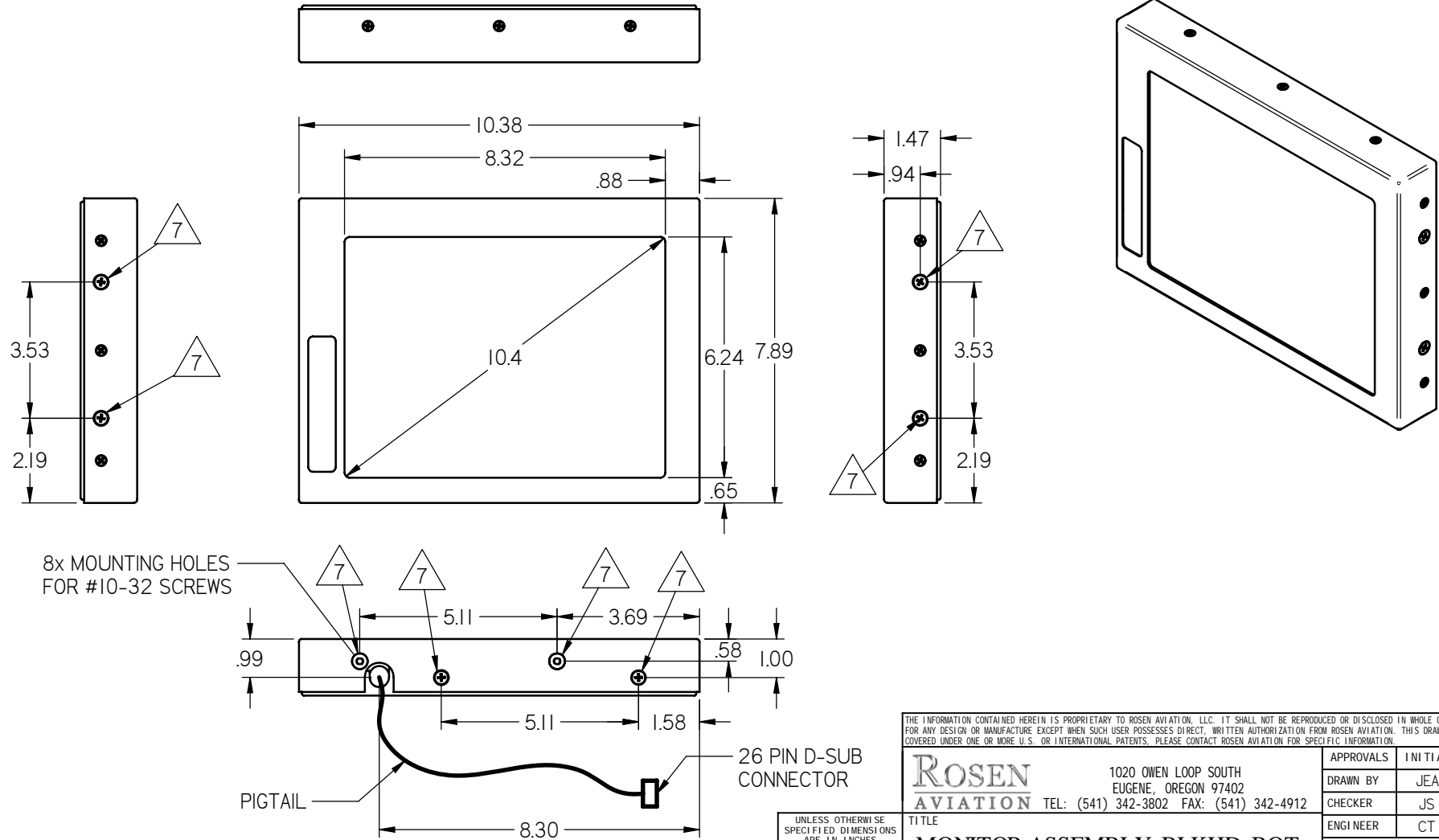
REVISIONS						
ZONE	REV	DESCRIPTION	DATE	BY	CHG NO	APRV
-	A	PRODUCTION RELEASE	07/06/01	JEA	01523	-
-	B	ADD CONNECTOR KIT TO ASSEMBLY	05/08/02	JEA	02296	CT
-	C	CHG CONN KIT P/N TO CONSOLATED P/N's	05/08/02	JAW	02481	-
-	D	CHANGE TLA PART NUMBER TO MODEL NUMBER, UPDATE BORDER	02/28/03	JEA	03026	JW
-	F	BOM CORRECTIONS PER RTS AUDIT	07/07/03	JEA	03116C	CW
B1	G	UPDATE WEIGHT, UPDATE DWG STD's	02/14/05	GJH	05056	SDS
	H	ADD MAX THREAD INSERTION DEPTH	11/08/06	GJH	EC06318	SDS
B1	J	ADD VENTILATION NOTE	11/16/06	GJH	EC06330	SDS

B

A

B

A



THE INFORMATION CONTAINED HEREIN IS PROPRIETARY TO ROSEN AVIATION, LLC. IT SHALL NOT BE REPRODUCED OR DISCLOSED IN WHOLE OR IN PART OR USED FOR ANY DESIGN OR MANUFACTURE EXCEPT WHEN SUCH USER POSSESSES DIRECT, WRITTEN AUTHORIZATION FROM ROSEN AVIATION. THIS DRAWING MAY BE COVERED UNDER ONE OR MORE U.S. OR INTERNATIONAL PATENTS. PLEASE CONTACT ROSEN AVIATION FOR SPECIFIC INFORMATION.

<p>Rosen AVIATION</p> <p>1020 OWEN LOOP SOUTH EUGENE, OREGON 97402 TEL: (541) 342-3802 FAX: (541) 342-4912</p>	APPROVALS	INITIAL	DATE
	DRAWN BY	JEA	07/06/01
	CHECKER	JS	07/09/01
	ENGINEER	CT	07/09/01
<p>TITLE</p> <p>MONITOR ASSEMBLY, BLKHD, BOT EXIT W/ MEMB SW, AUTO ON</p>			DWG NO
<p>FIRST CALLED FOR: (FCF)</p> <p>10.4" SLIMLINE</p>			1042-007
<p>SIZE</p> <p>A</p>		<p>REV</p> <p>J</p>	
<p>SCALE</p> <p>1:5</p>		<p>SHEET</p> <p>1 OF 2</p>	

UNLESS OTHERWISE SPECIFIED DIMENSIONS ARE IN INCHES

.XX = \pm .03

\sum = \pm 5.0°

INTERPRET DIM AND TOL PER ASME Y14.5M - 1994

1

2

Performance Specifications (reference)

LCD Performance	
Screen Resolution (pixels)	640 x 480
Video Standards supported	NTSC, PAL, SECAM
Display Viewing Area (mm)	211.2 x 158.4
Vertical Viewing Angle (CR>10)	+45°(up), -55°(down)
Horizontal Viewing Angle (CR>10)	±70°
Response Time	15 ms (typ) (white to black)
Contrast Ratio	300:1
Screen Brightness	350 cd/m2 typ 280 cd/m2 min

Power Requirements

Nominal Power	25W (max)
Nominal Voltage	28VDC

Environmental Specifications

Operating Temperature	0°C to 50°C
Altitude	15,000ft
Humidity	95%RH
Vibration	1.48 grms
Power Input	DO-160D Cat A
RF Susceptibility	DO-160D Cat TTX
Emission of RF Energy	DO-160D Cat M

MTBF Prediction	3,751 Hours
------------------------	-------------

26 PIN Pinout


Connector: 26in Male D-Subminiature Positronic ODD26M0000X
Mate: 26 Pin Female D-Subminiature Positronic ODD26F0000X

Pin #	Monitor signal
1	Red
2	Green
3	Blue
4	Reserved
5	Reserved
6	Red Return
7	Green Return
8	Blue Return
9	Reserved
10	Computer Ground
11	Reserved
12	Reserved
13	Horizontal Sync
14	Vertical Sync
15	NC
16	Reserved
17	Reserved
18	Reserved
19	Reserved
20	Video Shield*
21	Reserved
22	Reserved
23	Reserved
24	Video Signal Input (NTSC, PAL)
25	28 Volt DC (+)
26	Power Supply Return DC (-)

Notes:

- * Do not attach to supply return or computer ground.

THE INFORMATION CONTAINED HEREIN IS PROPRIETARY TO ROSEN AVIATION, LLC. IT SHALL NOT BE REPRODUCED OR DISCLOSED IN WHOLE OR IN PART OR USED FOR ANY DESIGN OR MANUFACTURE EXCEPT WHEN SUCH USER POSSESSES DIRECT, WRITTEN AUTHORIZATION FROM ROSEN AVIATION, LLC. THIS DRAWING MAY BE COVERED UNDER ONE OR MORE U.S. OR INTERNATIONAL PATENTS. PLEASE CONTACT ROSEN AVIATION FOR SPECIFIC INFORMATION.

	1020 OWEN LOOP SOUTH EUGENE, OREGON 97402 TEL: (541) 342-3802 FAX: (541) 342-4912	SIZE A	DWG NO 1042-007	REV J
	SCALE NONE	SHEET 2 OF 2		