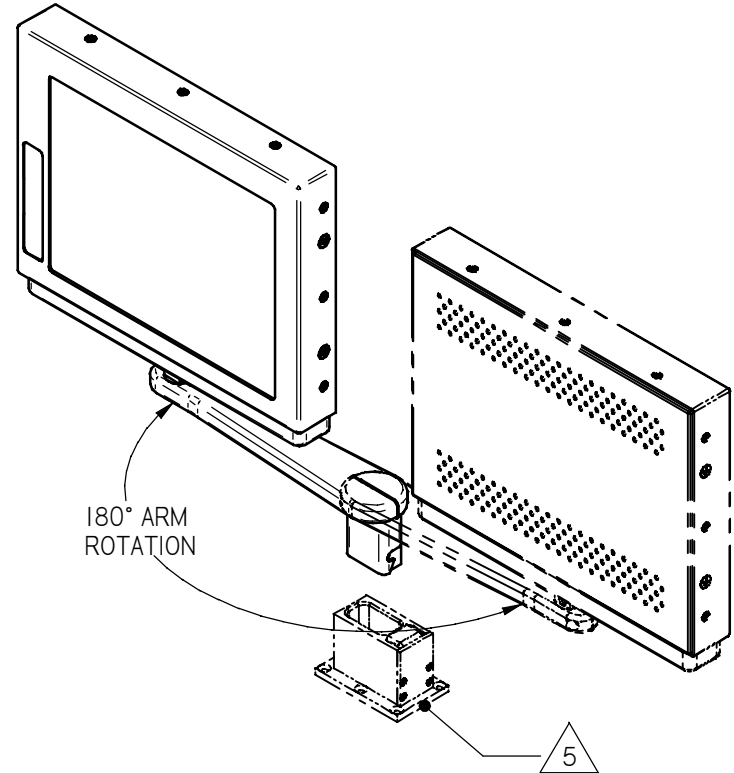
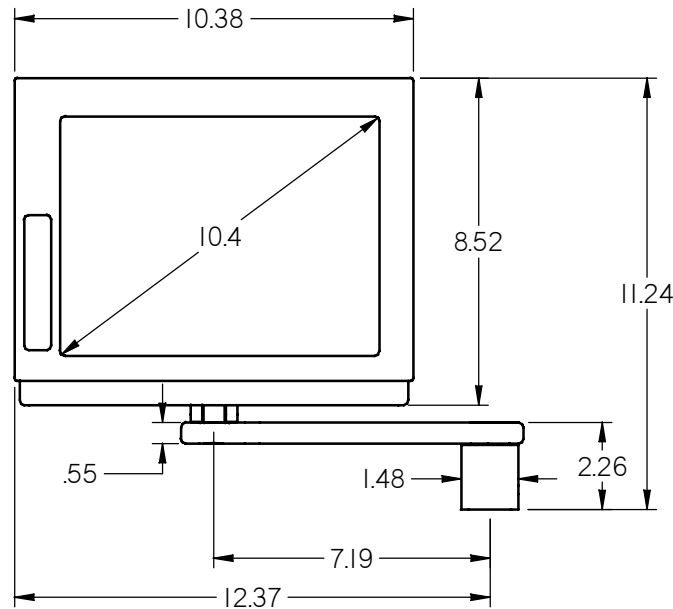
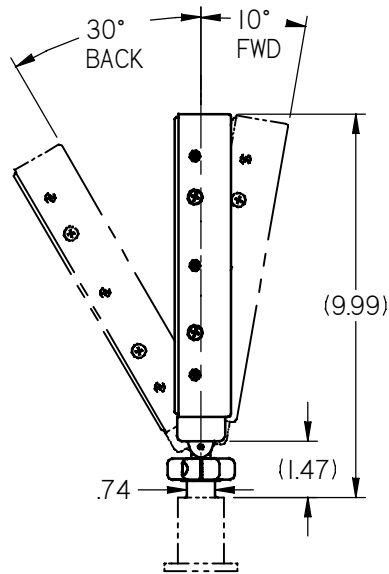
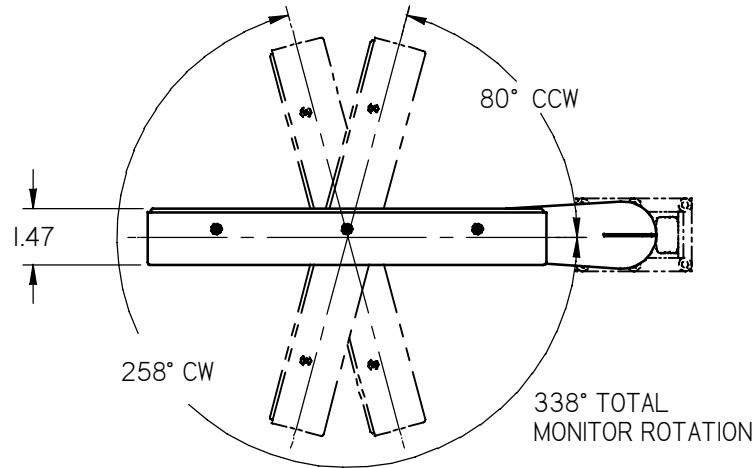


NOTES:

1. MATERIALS: SEE SEPARATE BOM
 2. COMPONENT WEIGHT: 6.80 LBS. ±5%
 3. HANDLE PER POM 4.15.2 "HANDLING OF ELECTRONIC ASSEMBLIES"
 4. LABELS, SHIPPING PACKAGE, AND SOME MINOR PARTS OMITTED FROM DRAWING FOR CLARITY.
- △ BASE SOLD SEPARATELY.

REVISIONS						
ZONE	REV	DESCRIPTION	DATE	BY	CO NO	APRV
-	D	CORRECT INDICATED ARM ROTATION UPDATE DRAWING TO NEW FORMAT	01/30/03	JEA	03012	JAW
-	F	CHG TLA PART NUMBER TO MODEL NUMBER	03/03/03	JEA	03026	JAW
A2	G	CHANGE ANGLE TOL FROM 3° TO 5°	04/25/05	GJH	05174	SC
pg2	H	CORRECT PINOUTS, UPDATE DWG STD'S	09/15/05	GJH	05372	JW



FOR REFERENCE ONLY

THE INFORMATION CONTAINED HEREIN IS PROPRIETARY TO ROSEN AVIATION. IT SHALL NOT BE REPRODUCED OR DISCLOSED IN WHOLE OR IN PART OR USED FOR ANY DESIGN OR MANUFACTURE EXCEPT WHEN SUCH USER POSSESSES DIRECT, WRITTEN AUTHORIZATION FROM ROSEN AVIATION. THIS DRAWING MAY BE COVERED UNDER ONE OR MORE U.S. OR INTERNATIONAL PATENTS. PLEASE CONTACT ROSEN AVIATION FOR SPECIFIC INFORMATION.

ROSEN AVIATION, LLC
 1020 OWEN LOOP SOUTH EUGENE, OREGON 97402
 TEL: (541) 342-3802 FAX: (541) 342-4912

APPROVALS	INITIAL	DATE	TITLE
DRAWN BY	JEA	06/25/01	10.4" SLIMLINE CERTIFIED MONITOR w / FALCON ARM, STANDARD PLUG
CHECKER	JS	07/09/01	
ENGINEER	CT	07/09/01	
PRODUCTION	AJB	07/09/01	
QUALITY	JG	07/09/01	

SIZE	DWG NO	REV
A	1042-010	H
SCALE 1:5	SHEET 1 OF 2	

UNLESS OTHERWISE SPECIFIED DIMENSIONS ARE IN INCHES
 .X = ± .1
 .XX = ± .03
 ± 5°
 INTERPRET DIM AND TOL PER ASME Y14.5M - 1994

Performance Specifications (Reference)

LCD Performance

Screen Resolution (pixels)	640 x 480
Video Standards supported	NTSC, PAL, SECAM
Display Viewing Area (mm)	211.2 x 158.4
Vertical Viewing Angle (CR>10)	+45°(up), -55°(down)
Horizontal Viewing Angle (CR>10)	±70°
Response Time	15 ms (typ) (white to black)
Contrast Ratio	300:1
Screen Brightness	350 cd/m2 typ 280 cd/m2 min

Power Requirements

Nominal Power	25W (max)
Nominal Voltage	28VDC

Environmental Specifications

Operating Temperature	0°C to 50°C
Altitude	15,000ft
Humidity	95%RH
Vibration	1.48 grms
Power Input	DO-160D Cat A
RF Susceptibility	DO-160D Cat TT
Emission of RF Energy	DO-160D Cat M

MTBF Prediction	3,751 Hours
------------------------	-------------

Notes:

- ⚠ BASE SOLD SEPARATELY
- ⚠ PINS 4 & 5 ARE INTERNALLY CONNECTED

Base Receptacle Pinout - DB9 ⚠

RNVAP Base Receptacle Model 0100-010 & 0100-012
Connector: 9 Pin Male D-Subminiature Positronic SD9M0000Z
Mate: 9 Pin Female D-Subminiature Positronic SD9F0000X

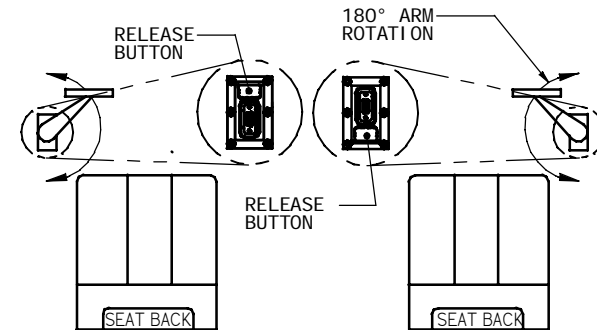
Pin #	Monitor signal
1	Chassis Ground
2	DC Input
3	DC Return
4	Connected to pin 5 ⚠
5	Connected to pin 4 ⚠
6	Reserved
7	Video Signal Input
8	Video Ground
9	Reserved

Base Receptacle Pinout-BNC/Molex

RNVAP Base Receptacle Model 0100-011
Video Connector: BNC Jack, AMP 221 199-5
Power Connector: Male 3 pin, .062" Molex
Mating Video Connector: BNC Plug
Mating Power Connector: Molex 03-06-1038
Mating Power Contact: Molex 02-06-1103

Pin #	Monitor signal
BNC signal	Video Signal
BNC shield	Video Return
Molex 1	DC Input
Molex 2	DC Return
Molex 3	Reserved

Base Receptacle Orientation



LEFT HAND INSTALLATION
RELEASE BUTTON ON OTHER
SIDE OF BASE FROM PASSENGER

RIGHT HAND INSTALLATION
RELEASE BUTTON ON
PASSENGER SIDE OF BASE

FOR REFERENCE ONLY

ROSEN AVIATION

ROSEN AVIATION, LLC

1020 OWEN LOOP SOUTH EUGENE, OREGON 97402
TEL: (541) 342-3802 FAX: (541) 342-4912

THE INFORMATION CONTAINED HEREIN IS PROPRIETARY TO ROSEN AVIATION. IT SHALL NOT BE REPRODUCED OR DISCLOSED IN WHOLE OR IN PART OR USED FOR ANY DESIGN OR MANUFACTURE EXCEPT WHEN SUCH USER POSSESSES DIRECT, WRITTEN AUTHORIZATION FROM ROSEN AVIATION. THIS DRAWING MAY BE COVERED UNDER ONE OR MORE U.S. OR INTERNATIONAL PATENTS. PLEASE CONTACT ROSEN AVIATION FOR SPECIFIC INFORMATION.

SIZE	DWG NO	REV
A	1042-010	H
SCALE	NONE	SHEET 2 OF 2