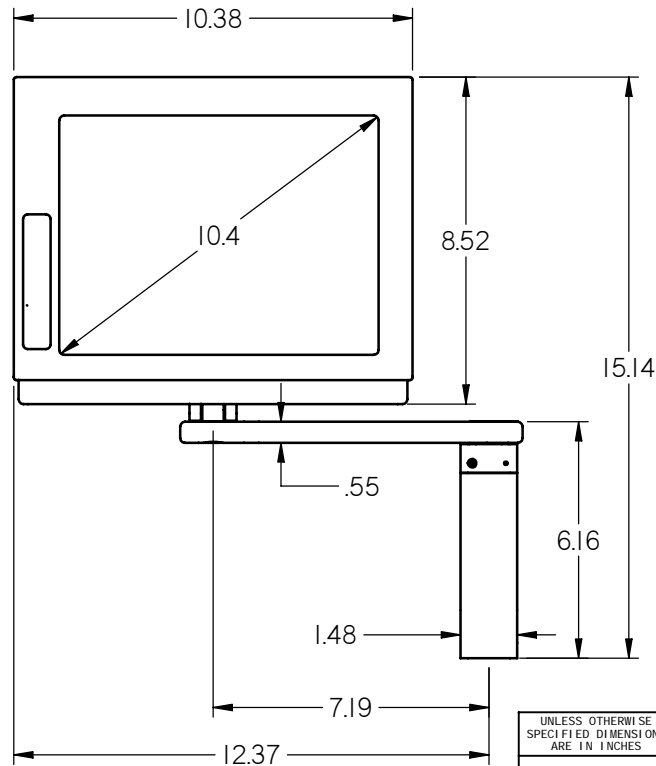
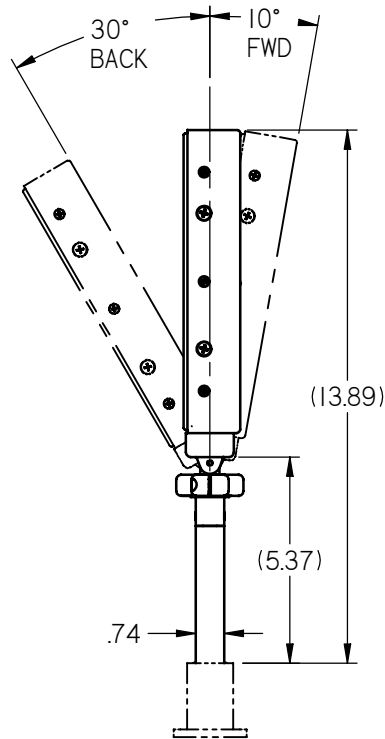
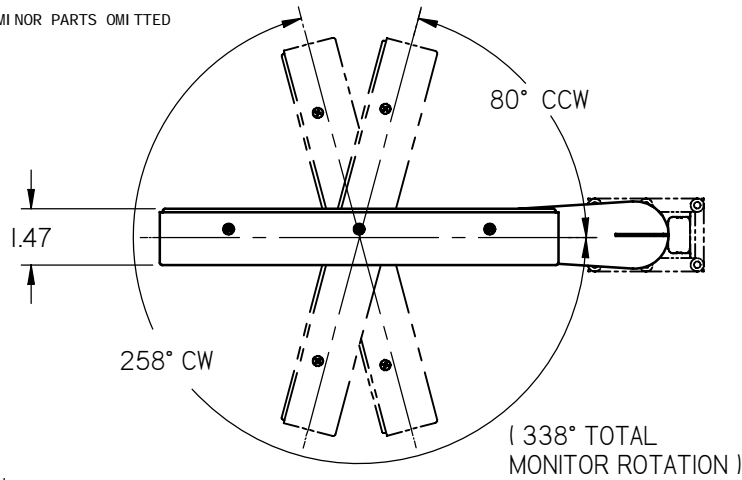
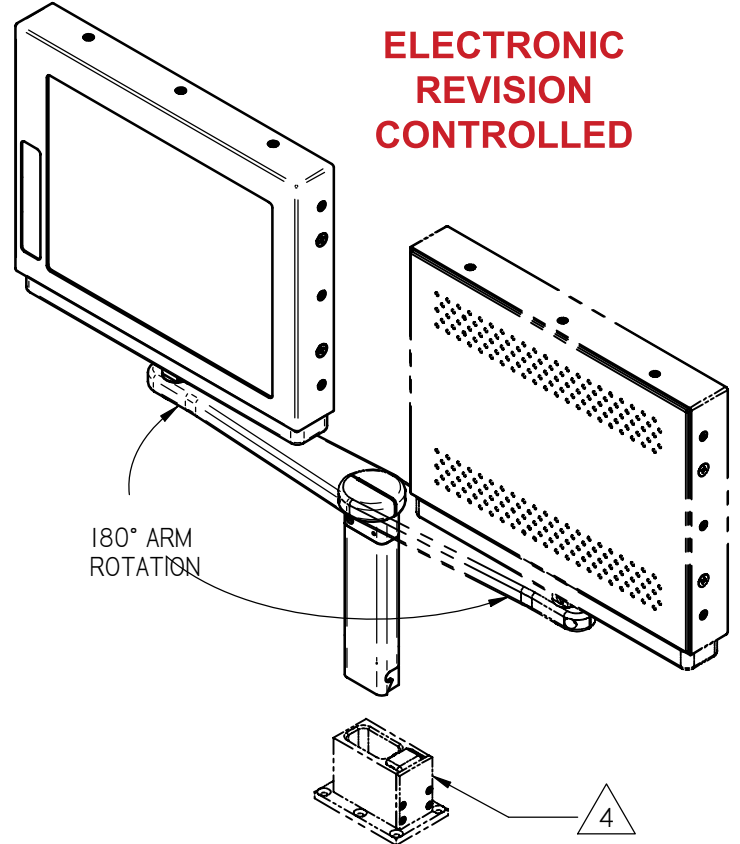


- NOTES: (unless otherwise specified)
1. COMPONENT WEIGHT: 7.5 LBS MAX.
 2. OBSERVE ESD SAFE HANDLING PRACTICES
 3. LABELS, SHIPPING PACKAGE, AND SOME MINOR PARTS OMITTED FROM DRAWING FOR CLARITY.
BASE SOLD SEPARATELY.



REVISIONS						
ZONE	REV	DESCRIPTION	DATE	BY	CHG NO	APRV
-	D	CHG TLA PART NUMBER TO MODEL NUMBER	03/03/03	JEA	03026	JAW
-	F	CORRECT BOM	03/17/03	JEA	03036c	JW
-	G	CHANGE ANGLE TOL FROM 3° TO 5°	04/25/05	GJH	05174	SC
pg2	H	CORRECT PIGNOUTS, UPDATE DWG STD'S	09/15/05	GJH	05372	JW
	J	CORRECT VIEWS TO SHOW ONE-PIECE PLUG	05/08/06	GJH	EC06122	SC
A2	K	ADD BOM TO DRAWING	01/12/07	GJH	EC07006	SC



**ELECTRONIC
REVISION
CONTROLLED**

1	1	9214-0102-000	10.4" ON FALCON ARM	
ITEM	QTY	PART NUMBER	DESCRIPTION	NOTE

BILL OF MATERIALS

THE INFORMATION CONTAINED HEREIN IS PROPRIETARY TO ROSEN AVIATION, LLC. IT SHALL NOT BE REPRODUCED OR DISCLOSED IN WHOLE OR IN PART OR USED FOR ANY DESIGN OR MANUFACTURE EXCEPT WHEN SUCH USER POSSESSES DIRECT, WRITTEN AUTHORIZATION FROM ROSEN AVIATION. THIS DRAWING MAY BE COVERED UNDER ONE OR MORE U.S. OR INTERNATIONAL PATENTS. PLEASE CONTACT ROSEN AVIATION FOR SPECIFIC INFORMATION.

ROSEN AVIATION 1020 OWEN LOOP SOUTH EUGENE, OREGON 97402 TEL: (541) 342-3802 FAX: (541) 342-4912	APPROVALS	INITIAL	DATE
	DRAWN BY	JEA	06/22/01
	CHECKER	JS	07/09/01
	ENGINEER	CT	07/09/01

TITLE		DWG NO	
CERTIFIED MONITOR, w/ FALCON ARM, EXTENDED PLUG		1042-020	
FIRST CALLED FOR: (FCF)		SIZE	REV
10.4" SLIMLINE		A	K
SCALE 1:5		SHEET 1 OF 2	

UNLESS OTHERWISE SPECIFIED DIMENSIONS ARE IN INCHES
 .X = ± .1
 .XX = ± .03
 ∑ = ± 5.0°
 RADIUS = ± .020
 INTERPRET DIM AND TOL PER ASME Y14.5M - 1994

REFER TO www.rosenaviation.com FOR THE LATEST REVISION INFORMATION.

Performance Specifications (Reference)

LCD Performance	
Screen Resolution (pixels)	640 x 480
Video Standards supported	NTSC, PAL, SECAM
Display Viewing Area (mm)	211.2 x 158.4
Vertical Viewing Angle (CR>10)	+45°(up), -55°(down)
Horizontal Viewing Angle (CR>10)	±70°
Response Time	15 ms (typ) (white to black)
Contrast Ratio	300:1
Screen Brightness	350 cd/m2 typ 280 cd/m2 min

Power Requirements	
Nominal Power	25W (max)
Nominal Voltage	28VDC

Environmental Specifications	
Operating Temperature	0°C to 50°C
Altitude	15,000ft
Humidity	95%RH
Vibration	1.48 grms
Power Input	DO-160D Cat A
RF Susceptibility	DO-160D Cat TT
Emission of RF Energy	DO-160D Cat M

MTBF Prediction	3,751 Hours
-----------------	-------------

Notes:

- ⚠ BASE SOLD SEPARATELY
- ⚠ PINS 4 & 5 ARE INTERNALLY CONNECTED

Base Receptacle Pinout - DB9 ⁴

RNVAP Base Receptacle Model 0100-010 & 0100-012	
Connector: 9 Pin Male D-Subminiature Positronic SD9M0000Z	
Mate: 9 Pin Female D-Subminiature Positronic SD9F0000X	

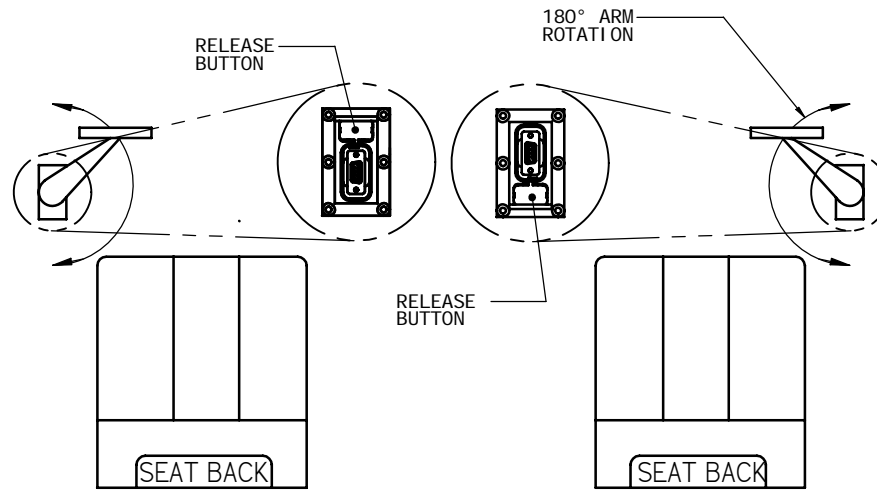
Pin #	Monitor signal
1	Chassis Ground
2	DC Input
3	DC Return
4	Connected to pin 5 ⁴
5	Connected to pin 4 ⁴
6	Reserved
7	Video Signal Input
8	Video Ground
9	Reserved

Base Receptacle Pinout ⁴

RNVAP Base Receptacle Model 0100-011	
Video Connector: BNC Jack, AMP 221199-5	
Power Connector: Male 3 pin, .062" Molex	
Mating Video Connector: BNC Plug	
Mating Power Connector: Molex 03-06-1038	
Mating Power Contact: Molex 02-06-1103	

Pin #	Monitor signal
BNC signal	Video Signal
BNC shield	Video Return
Molex 1	DC Input
Molex 2	DC Return
Molex 3	Reserved

Base Receptacle Orientation



LEFT HAND INSTALLATION
RELEASE BUTTON ON OTHER
SIDE OF BASE FROM PASSENGER

RIGHT HAND INSTALLATION
RELEASE BUTTON ON
PASSENGER SIDE OF BASE

THE INFORMATION CONTAINED HEREIN IS PROPRIETARY TO ROSEN AVIATION, LLC. IT SHALL NOT BE REPRODUCED OR DISCLOSED IN WHOLE OR IN PART OR USED FOR ANY DESIGN OR MANUFACTURE EXCEPT WHEN SUCH USER POSSESSES DIRECT, WRITTEN AUTHORIZATION FROM ROSEN AVIATION, LLC. THIS DRAWING MAY BE COVERED UNDER ONE OR MORE U.S. OR INTERNATIONAL PATENTS. PLEASE CONTACT ROSEN AVIATION FOR SPECIFIC INFORMATION.

ROSEN AVIATION	1020 OWEN LOOP SOUTH EUGENE, OREGON 97402 TEL: (541) 342-3802 FAX: (541) 342-4912	SIZE	DWG NO	REV
		A	1042-020	K
		SCALE	NONE	SHEET 2 OF 2