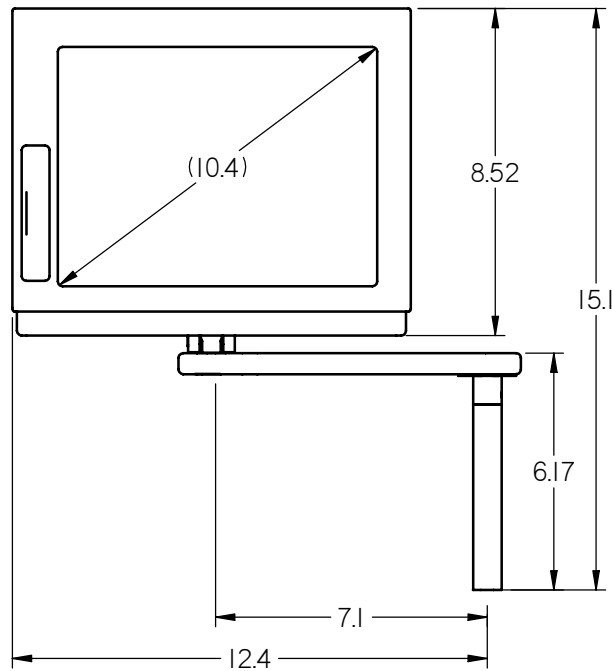
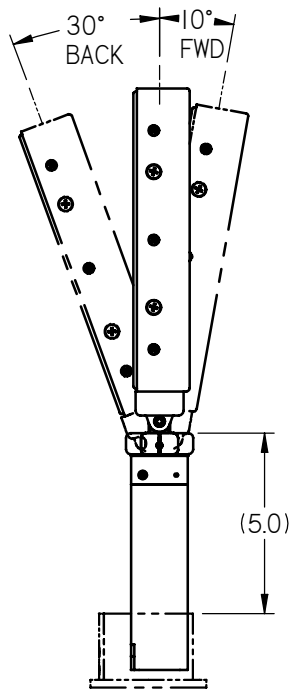
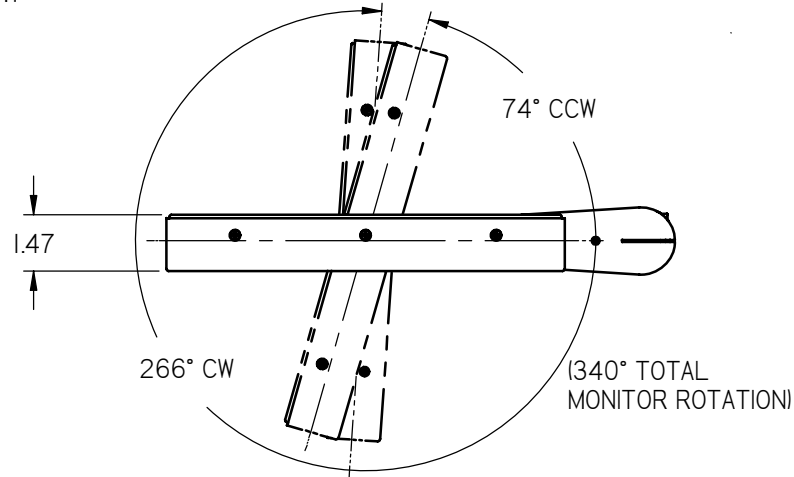


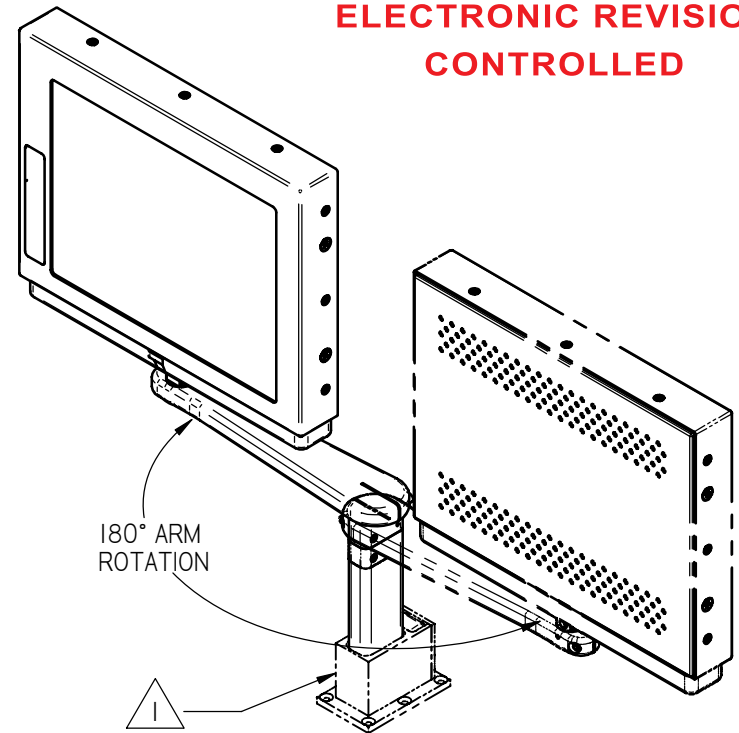
NOTES: (unless otherwise specified)

1. BASE SOLD SEPARATELY
2. ASSEMBLY WEIGHT: 7.5 LBS. MAX
3. OBSERVE ESD SAFE HANDLING PRACTICES.
4. SOME MINOR PARTS, LABELS, HARNESSES AND INSTRUCTIONS OMITTED FOR CLARITY.

REVISIONS						
ZONE	REV	DESCRIPTION	DATE	BY	CHG NO	APRV
-	A	INITIAL RELEASE	10/05/05	JAW	05419	-
B1	B	CHANGE ANGLE FROM 20° TO 30°	10/17/05	GJH	05439	JW
	C	CORRECT VIEWS TO SHOW ONE-PIECE PLUG	05/08/06	GJH	EC06122	SC



ELECTRONIC REVISION CONTROLLED



ITEM	QTY	P/N	DESCRIPTION	NOTE
1	1	9003656	1042-022, 7.2" RNVAP ARM EXTENDED PLUG, +90° ARM TIMING	

BILL OF MATERIALS

THE INFORMATION CONTAINED HEREIN IS PROPRIETARY TO ROSEN AVIATION, LLC. IT SHALL NOT BE REPRODUCED OR DISCLOSED IN WHOLE OR IN PART OR USED FOR ANY DESIGN OR MANUFACTURE EXCEPT WHEN SUCH USER POSSESSES DIRECT, WRITTEN AUTHORIZATION FROM ROSEN AVIATION. THIS DRAWING MAY BE COVERED UNDER ONE OR MORE U.S. OR INTERNATIONAL PATENTS. PLEASE CONTACT ROSEN AVIATION FOR SPECIFIC INFORMATION.

Rosen AVIATION		1020 OWEN LOOP SOUTH EUGENE, OREGON 97402 TEL: (541) 342-3802 FAX: (541) 342-4912	APPROVALS	INITIAL	DATE
			DRAWN BY	JAW	09/29/05
			CHECKER	SC	10/05/05
			ENGINEER	JW	10/05/05

TITLE MONITOR, WITH 7.2" ARM, EXTENDED PLUG			DWG NO 1042-022		
FIRST CALLED FOR: (FCF) 10.4" SLIMLINE			SIZE A	REV C	
SCALE 1:5		SHEET 1 OF 2			

UNLESS OTHERWISE SPECIFIED DIMENSIONS ARE IN INCHES
 .X = ± .1
 .XX = ± .03
 R = ± 5.0°
 RADIUS = ± .020
 INTERPRET DIM AND TOL PER ASME Y14.5M - 1994

REFER TO www.rosenaviation.com FOR THE LATEST REVISION INFORMATION.

Performance Specifications (reference)

LCD Performance	
Screen Resolution (pixels)	640 x 480
Video Standards supported	NTSC, PAL, SECAM
Display Viewing Area (mm)	211.2 x 158.4
Vertical Viewing Angle (CR>10)	+45°(up), -55°(down)
Horizontal Viewing Angle (CR>10)	±70°
Response Time	15 ms (typ) (white to black)
Contrast Ratio	300:1
Screen Brightness	350 cd/m ² typ 280 cd/m ² min

Power Requirements	
Nominal Power	25W (max)
Nominal Voltage	28VDC

Environmental Specifications	
Operating Temperature	0°C to 50°C
Altitude	15,000ft
Humidity	95%RH
Vibration	1.48 grms
Power Input	DO-160D Cat A
RF Susceptibility	DO-160D Cat TT
Emission of RF Energy	DO-160D Cat M


MTBF Prediction	3,751 Hours
------------------------	-------------

Notes:

- △ BASE SOLD SEPARATELY
- △ PINS 4 & 5 ARE INTERNALLY CONNECTED

9 Pin Pinout

RNVAP Base Receptacle Model 0100-010 & 0100-012
Connector: 9 Pin Male D-Subminiature Positronic SD9M0000Z
Mate: 9 Pin Female D-Subminiature Positronic SD9F0000X


Pin #	Monitor signal
1	Reserved
2	+28V DC
3	DC Return
4	Connect to pin 5 
5	Connect to pin 4
6	Reserved
7	Video Signal Input
8	Video Ground
9	Reserved

BNC/Molex Pinout

Slimline Base Receptacle Model 0100-011
Video Connector: BNC Jack, AMP 221199-5
Power Connector: Female 3 pin, .062" Molex
Mating Video Connector: BNC Plug
Mating Power Connector: Molex 03-06-1038
Mating Power Contact: Molex 02-06-1103

Pin #	Monitor signal
BNC signal	Video Signal
BNC shield	Video Return
Molex 1	+28V DC Input
Molex 2	DC Return
Molex 3	Reserved

THE INFORMATION CONTAINED HEREIN IS PROPRIETARY TO ROSEN AVIATION, LLC. IT SHALL NOT BE REPRODUCED OR DISCLOSED IN WHOLE OR IN PART OR USED FOR ANY DESIGN OR MANUFACTURE EXCEPT WHEN SUCH USER POSSESSES DIRECT, WRITTEN AUTHORIZATION FROM ROSEN AVIATION, LLC. THIS DRAWING MAY BE COVERED UNDER ONE OR MORE U.S. OR INTERNATIONAL PATENTS. PLEASE CONTACT ROSEN AVIATION FOR SPECIFIC INFORMATION.

	1020 OWEN LOOP SOUTH EUGENE, OREGON 97402 TEL: (541) 342-3802 FAX: (541) 342-4912	SIZE A	DWG NO 1042-022	REV C
	SCALE NONE	SHEET 2 OF 2		