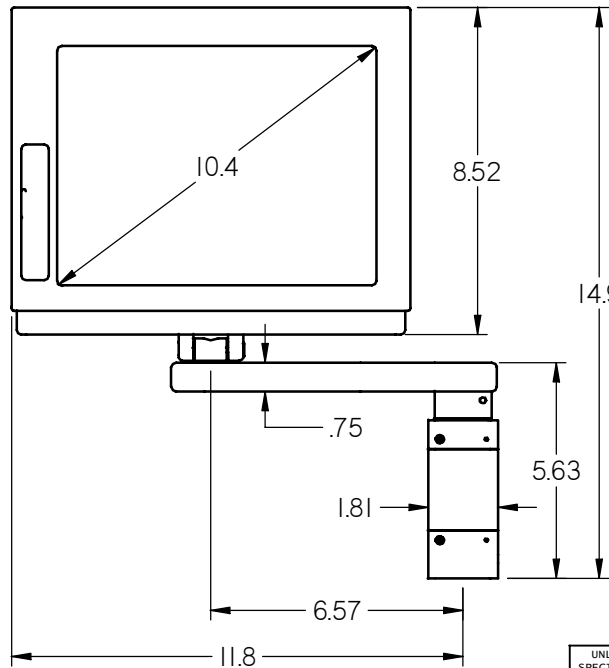
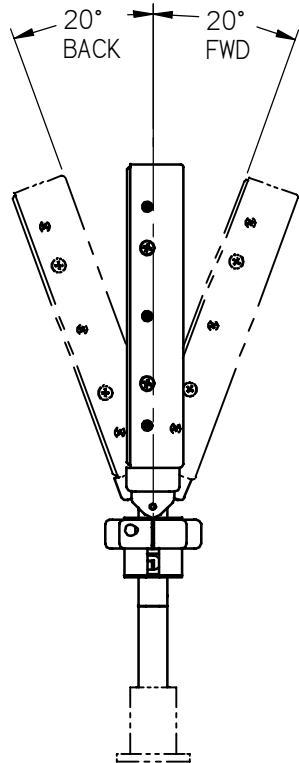
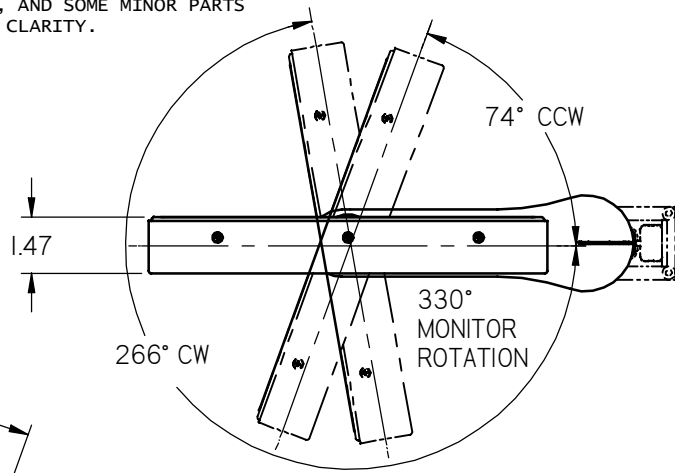
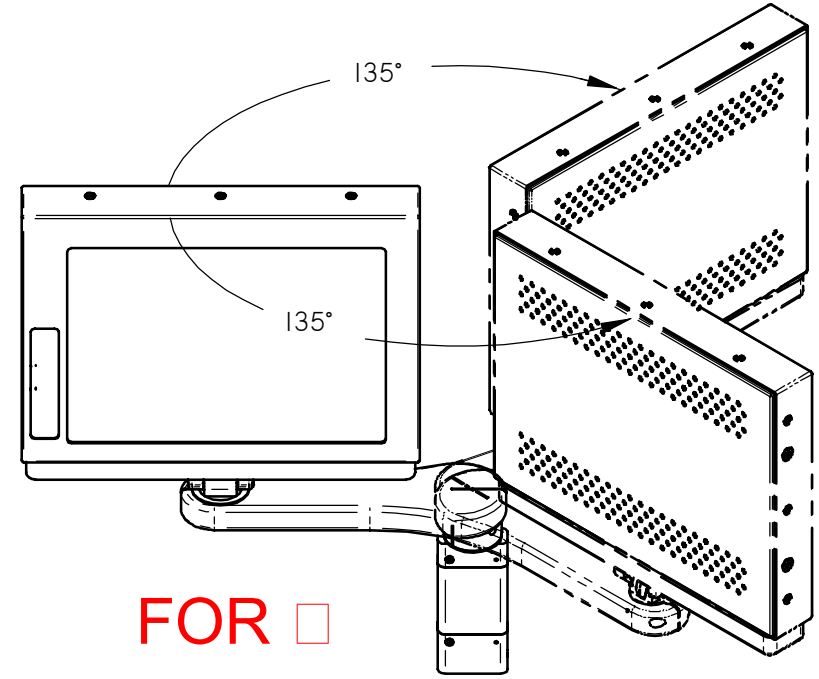


NOTES: (unless otherwise specified)

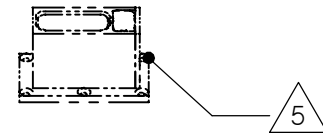
1. MATERIAL: SEE SEPARATE BILL OF MATERIAL
2. COMPONENT WEIGHT: 7.1 LBS. ±5%
3. LABELS, SHIPPING PACKAGE, AND SOME MINOR PARTS OMITTED FROM DRAWING FOR CLARITY.
4. BASE SOLD SEPARATELY.



REVISIONS						
ZONE	REV	DESCRIPTION	DATE	BY	CO NO	APRV
-	A	PRODUCTION RELEASE	07/06/01	JEA	01523	-
-	B	ADD GROUND LOOP TO PINOUT	10/19/01	JAW	01847	CT
-	C	CORRECT INDICATED ARM ROTATION UPDATE DRAWING TO NEW FORMAT	01/29/03	JEA	03012	JAW
-	D	CHANGE TLA PART NUMBER TO MODEL NUMBER, UPDATE BORDER	02/28/03	JEA	03026	JAW
-	F	DRAWING CORRECTION	03/15/04	JAW	04085	SC
-	G	ADD HARNESS SHIELDING TO BOM	08/23/04	GJH	04239	JW
-	H	ADD ASSY INSTRUCTIONS TO BOM	09/17/04	GJH	04253	JW



**FOR  REFERENCE ONLY**



THE INFORMATION CONTAINED HEREIN IS PROPRIETARY TO ROSEN AVIATION DISPLAYS. IT SHALL NOT BE REPRODUCED OR DISCLOSED IN WHOLE OR IN PART OR USED FOR ANY DESIGN OR MANUFACTURE EXCEPT WHEN SUCH USER POSSESSES DIRECT, WRITTEN AUTHORIZATION FROM ROSEN AVIATION DISPLAYS. THIS DRAWING MAY BE COVERED UNDER ONE OR MORE U.S. OR INTERNATIONAL PATENTS, PLEASE CONTACT ROSEN AVIATION DISPLAYS FOR SPECIFIC INFORMATION.



**ROSEN AVIATION DISPLAYS, LLC**  
 1020 OWEN LOOP SOUTH EUGENE, OREGON 97402  
 TEL: (541) 342-3802 FAX: (541) 342-4912

UNLESS OTHERWISE SPECIFIED DIMENSIONS ARE IN INCHES  .X = ± .1 .XX = ± .03   INTERPRET DIM AND TOL PER ASME Y14.5M - 1994	APPROVALS	INITIAL	DATE	TITLE			
	DRAWN BY	JEA	06/22/01	10.4" SLIMLINE CERTIFIED MONITOR WITH CKC ARM	SIZE		
	CHECKER	JS	07/09/01		DWG NO	1042-110	REV
	ENGINEER	CT	07/09/01		H		
	PRODUCTION	AKB	07/09/01		SCALE	1:5	SHEET
QUALITY	JG	07/09/01	1 OF 2				

## Performance Specifications (Reference)

### LCD Performance

Screen Resolution (pixels)	640 x 480
Video Standards supported	NTSC, PAL, SECAM
Display Viewing Area (mm)	211.2 x 158.4
Vertical Viewing Angle (CR>10)	+45°(up), -55°(down)
Horizontal Viewing Angle (CR>10)	±70°
Response Time	15 ms (typ) (white to black)
Contrast Ratio	300:1
Screen Brightness	350 cd/m <sup>2</sup> typ 280 cd/m <sup>2</sup> min

### Power Requirements

Nominal Power	25W (max)
Nominal Voltage	28VDC

### Environmental Specifications

Operating Temperature	0°C to 50°C
Altitude	15,000ft
Humidity	95%RH
Vibration	1.48 grms
Power Input	DO-160D Cat A
RF Susceptibility	DO-160D Cat TT
Emission of RF Energy	DO-160D Cat M

<b>MTBF Prediction</b>	3,751 Hours
------------------------	-------------

### Notes:

 BASE SOLD SEPARATELY

## 26 Pin Pinout

### RNVAP Base Receptacle

**Model #: 0100-020**

Connector: 26 Pin Male D-Subminiature  
Positronic ODD26M0000Z

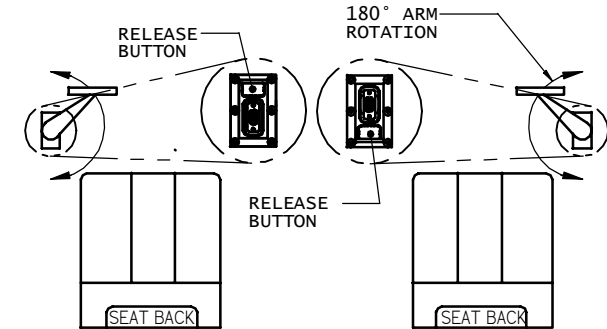
Mate: 26 Pin Female D-Subminiature  
Positronic ODD26F0000X

Pin #	Monitor signal
1	Red
2	Green
3	Blue
4	Reserved
5	Reserved
6	Red Return
7	Green Return
8	Blue Return
9	Reserved
10	Computer Ground
11	Reserved
12	Reserved
13	Horizontal Sync
14	Vertical Sync
15	12 Volt DC (+) **
16	Reserved
17	Reserved
18	Reserved
19	Reserved
20	Video Shield*
21	Reserved
22	Reserved
23	Reserved
24	Video Signal Input (NTSC, PAL)
25	28 Volt DC(+)**
26	Power Supply Return DC (-)

\*Do not attach either line to supply return or computer ground.


\*\*Monitor operates on 12 volts or 28 volts. Do not apply both.

## Base Receptacle Orientation



LEFT HAND INSTALLATION  
RELEASE BUTTON ON OTHER  
SIDE OF BASE FROM PASSENGER

RIGHT HAND INSTALLATION  
RELEASE BUTTON ON  
PASSENGER SIDE OF BASE

	<b>ROSEN AVIATION DISPLAYS, LLC</b> 1020 OWEN LOOP SOUTH EUGENE, OREGON 97402 TEL: (541) 342-3802 FAX: (541) 342-4912		
	THE INFORMATION CONTAINED HEREIN IS PROPRIETARY TO ROSEN AVIATION DISPLAYS. IT SHALL NOT BE REPRODUCED OR DISCLOSED IN WHOLE OR IN PART OR USED FOR ANY DESIGN OR MANUFACTURE EXCEPT WHEN SUCH USER POSSESSES DIRECT, WRITTEN AUTHORIZATION FROM ROSEN AVIATION DISPLAYS. THIS DRAWING MAY BE COVERED UNDER ONE OR MORE U.S. OR INTERNATIONAL PATENTS. PLEASE CONTACT ROSEN AVIATION DISPLAYS FOR SPECIFIC INFORMATION.	SIZE <b>A</b>	DWG NO 1042-110
SCALE NONE		SHEET 2 OF 2	