

NOTES: (unless otherwise specified)

1. ALL MATERIALS AND INSTRUCTIONS LISTED ON BILL OF MATERIALS.
2. COMPONENT WEIGHT: 7.4 LBS ±5%
3. HARNESS LENGTH 12.0" ± 1.0"
4. WIRE HARNESSES, LABELS, SHIPPING PACKAGING AND SOME MINOR PARTS OMITTED FROM DRAWING VIEW FOR CLARITY.

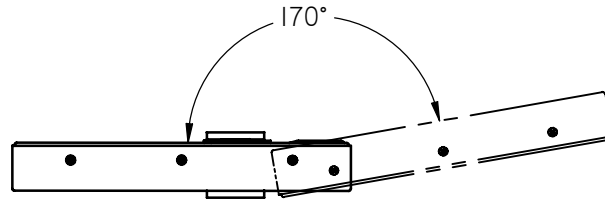
REVISIONS						
ZONE	REV	DESCRIPTION	DATE	BY	CHG NO	APRV
-	A	PRODUCTION RELEASE	07/06/01	JEA	01523	-
-	B	CHG TLA PART NUMBER TO MODEL NUMBER UPDATE BORDER	02/28/03	JEA	03026	JW
-	C	CORRECT SHT 2 MOUNTING ORIENTATION	08/06/03	JAW	03223C	BKP
-	D	ADD HARNESS SHIELD TO BOM	08/23/04	GJH	04239	JW
A2	F	CHANGE ANGLE TOL FROM 3° TO 5°	04/25/05	GJH	05174	SC
pg2	G	ADD CONNECTOR KIT	10/02/06	GJH	ECO6249	JW

B

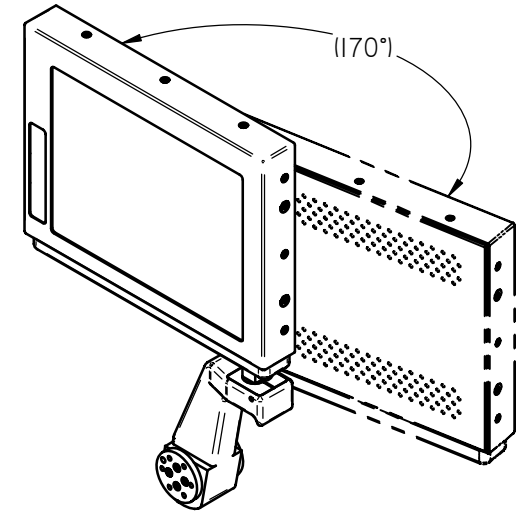
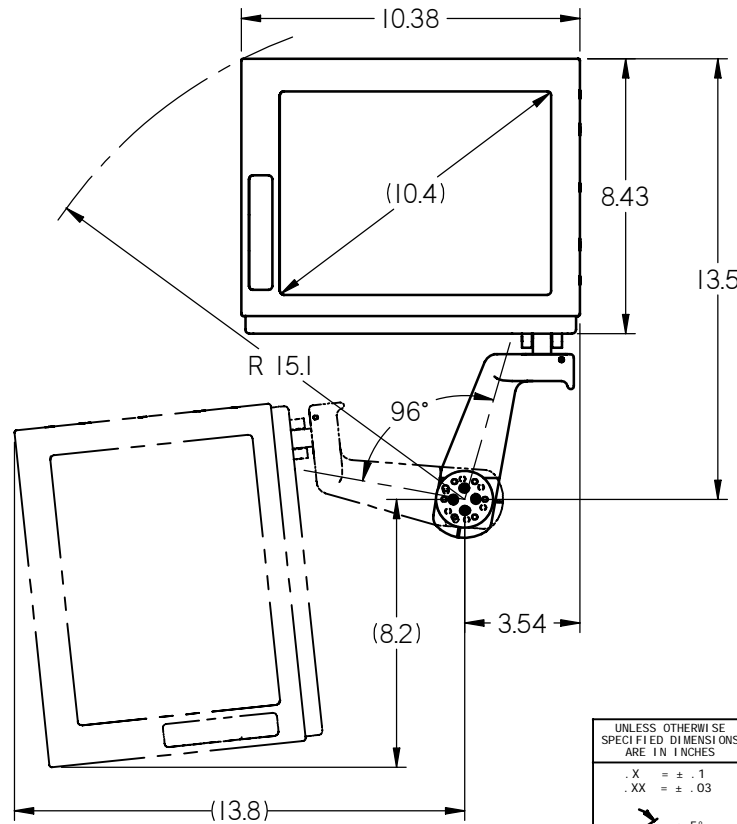
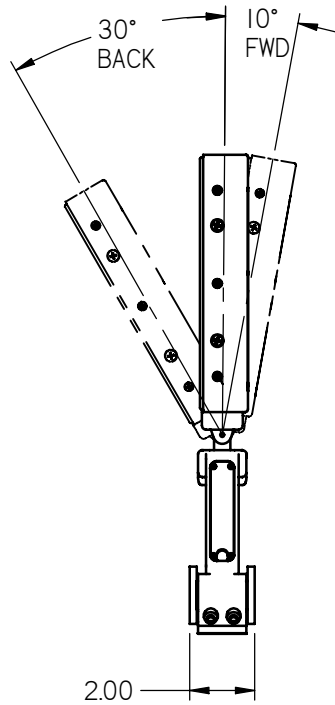
A

B

A



**ELECTRONIC
REVISION
CONTROLLED**



THE INFORMATION CONTAINED HEREIN IS PROPRIETARY TO ROSEN AVIATION, LLC. IT SHALL NOT BE REPRODUCED OR DISCLOSED IN WHOLE OR IN PART OR USED FOR ANY DESIGN OR MANUFACTURE EXCEPT WHEN SUCH USER POSSESSES DIRECT, WRITTEN AUTHORIZATION FROM ROSEN AVIATION. THIS DRAWING MAY BE COVERED UNDER ONE OR MORE U.S. OR INTERNATIONAL PATENTS. PLEASE CONTACT ROSEN AVIATION FOR SPECIFIC INFORMATION.

Rosen AVIATION 1020 OWEN LOOP SOUTH EUGENE, OREGON 97402 TEL: (541) 342-3802 FAX: (541) 342-4912	APPROVALS	INITIAL	DATE
	DRAWN BY	JEA	06/21/01
TITLE MONITOR, CERTIFIED WITH RIGHT GOOSENECK ARM FIRST CALLED FOR: (FCF) 10.4" SLIMLINE	CHECKER	JS	07/09/01
	ENGINEER	CT	07/09/01
DWG NO		1042-121	
SIZE	A	REV	G
SCALE	N.T.S.	SHEET	1 OF 2

UNLESS OTHERWISE SPECIFIED DIMENSIONS ARE IN INCHES
 .X = ± .1
 .XX = ± .03
 = ± 5°
 INTERPRET DIM AND TOL PER ASME Y14.5M - 1994

1

2

Performance Specifications (reference)

LCD Performance

Screen Resolution (pixels)	640 x 480
Video Standards supported	NTSC, PAL, SECAM
Display Viewing Area (mm)	211.2 x 158.4
Vertical Viewing Angle (CR>10)	+45°(up), -55°(down)
Horizontal Viewing Angle (CR>10)	±70°
Response Time	15 ms (typ) (white to black)
Contrast Ratio	300:1
Screen Brightness	350 cd/m ² typ 280 cd/m ² min

Power Requirements

Nominal Power	25W (max)
Nominal Voltage	28VDC

Environmental Specifications

Operating Temperature	0°C to 50°C
Altitude	15,000ft
Humidity	95%RH
Vibration	1.48 grms
Power Input	DO-160D Cat A
RF Susceptibility	DO-160D Cat TTX
Emission of RF Energy	DO-160D Cat M

MTBF Prediction

3,751 Hours

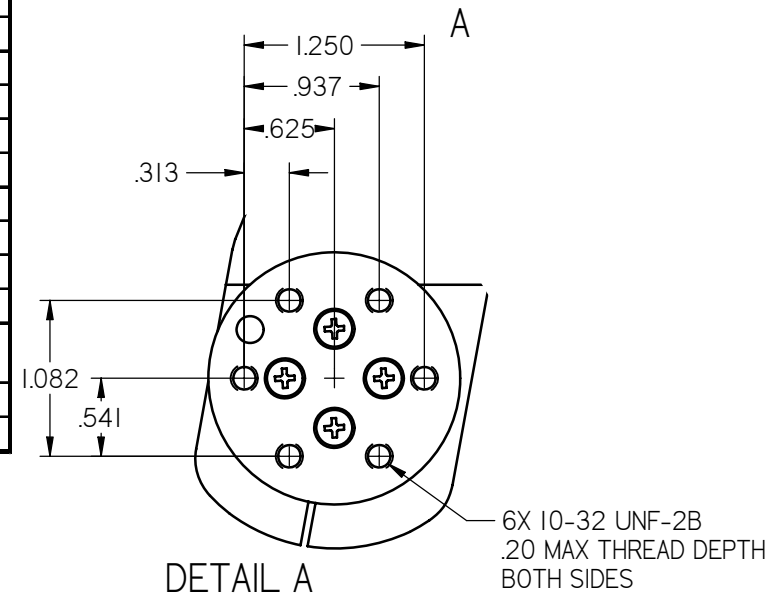
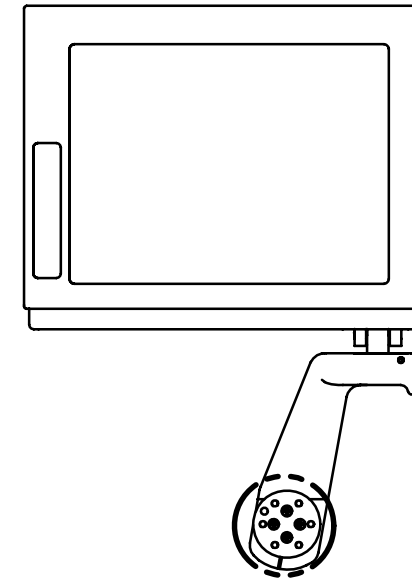
26 PIN Pinout

Connector: 26in Male D-Subminiature
Positronic ODD26M0000X
Mate: 26 Pin Female D-Subminiature
Positronic ODD26F0000X (INCLUDED)

Pin #	Monitor signal
1	Red
2	Green
3	Blue
4	Reserved
5	Reserved
6	Red Return
7	Green Return
8	Blue Return
9	Reserved
10	Computer Ground
11	Reserved
12	Reserved
13	Horizontal Sync
14	Vertical Sync
15	N/C
16	Reserved
17	Reserved
18	Reserved
19	Reserved
20	Video Shield*
21	Reserved
22	Reserved
23	Reserved
24	Video Signal Input (NTSC, PAL)
25	28 Volt DC (+)
26	Power Supply Return DC (-)

Notes:

- * Do not attach to supply return or computer ground.



THE INFORMATION CONTAINED HEREIN IS PROPRIETARY TO ROSEN AVIATION, LLC. IT SHALL NOT BE REPRODUCED OR DISCLOSED IN WHOLE OR IN PART OR USED FOR ANY DESIGN OR MANUFACTURE EXCEPT WHEN SUCH USER POSSESSES DIRECT, WRITTEN AUTHORIZATION FROM ROSEN AVIATION, LLC. THIS DRAWING MAY BE COVERED UNDER ONE OR MORE U.S. OR INTERNATIONAL PATENTS. PLEASE CONTACT ROSEN AVIATION FOR SPECIFIC INFORMATION.

ROSEN AVIATION	1020 OWEN LOOP SOUTH EUGENE, OREGON 97402 TEL: (541) 342-3802 FAX: (541) 342-4912	SIZE	DWG NO	REV
		A	1042-121	G
SCALE NONE		SHEET 2 OF 2		