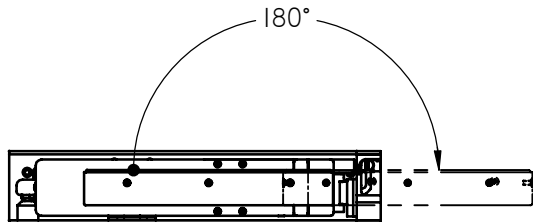


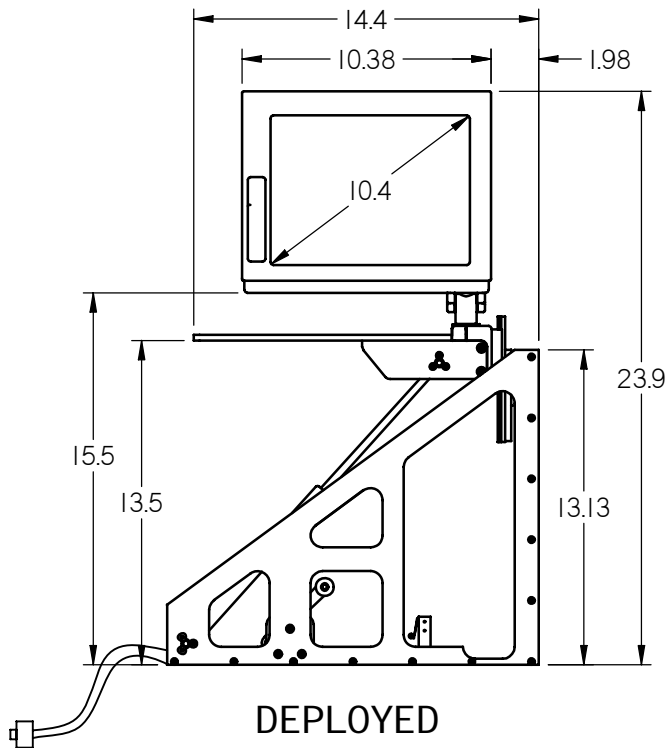
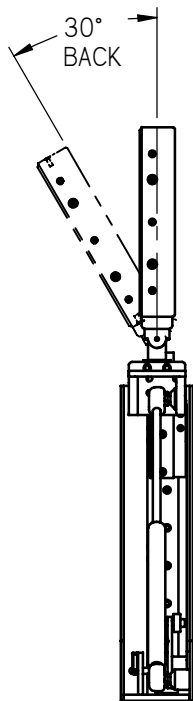
NOTES: (unless otherwise specified)

1. ASSEMBLY WEIGHT: 14.9LBS. ±5%
2. HARNESS LENGTH: 16.0" MIN.
3. OBSERVE ESD SAFE HANDLING PRACTICES.
4. DO NOT PLUG OR UNPLUG MONITOR WHEN POWER IS APPLIED.
5. SOME MINOR PARTS, LABELS, HARNESSES AND INSTRUCTIONS OMITTED FOR CLARITY.
6. SEE SEPARATE BILL OF MATERIAL

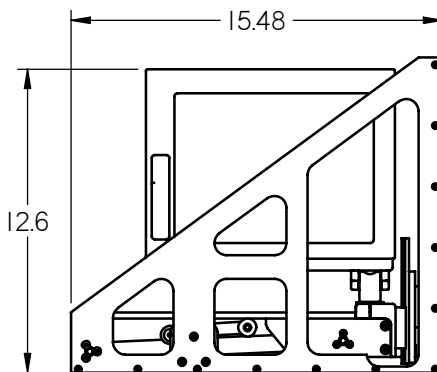


REVISIONS						
ZONE	REV	DESCRIPTION	DATE	BY	CHG NO	APRV
	F	BOM CORRECTION (RTS AUDIT), REMOVED REFERENCE TO ESD INSTRUCTION	09/30/03	SMM	03279C	JW
	G	CORRECT PINOUT, CHANGE TOL BLOCK	11/26/03	GJH	03335	JW
A2	H	CHANGE ANGLE TOL FROM 3° TO 5°	04/25/05	GJH	05174	SC
A1	J	MODIFY DIMENSION TOLERANCES	12/02/05	GJH	EC05039	SC
	K	ADD CONNECTOR KIT, 300-002, TO BOM	06/08/06	GJH	EC06145	SDS
B1	L	CORRECT CONN. KIT P/N TO 300-022, AND MONITOR ROTATION	12/05/06	GJH	EC06355	SC

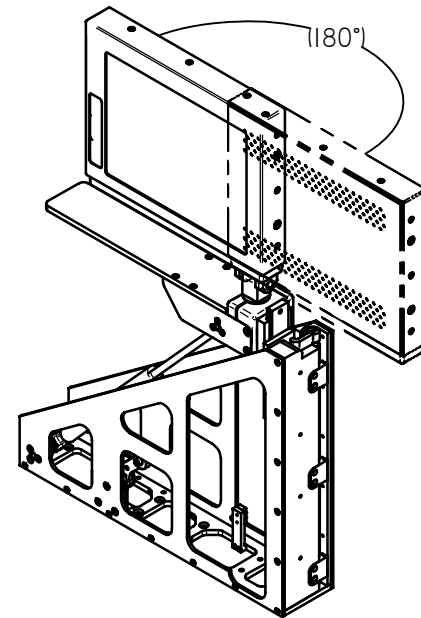
ELECTRONIC REVISION CONTROLLED



DEPLOYED



STOWED



THE INFORMATION CONTAINED HEREIN IS PROPRIETARY TO ROSEN AVIATION, LLC. IT SHALL NOT BE REPRODUCED OR DISCLOSED IN WHOLE OR IN PART OR USED FOR ANY DESIGN OR MANUFACTURE EXCEPT WHEN SUCH USER POSSESSES DIRECT, WRITTEN AUTHORIZATION FROM ROSEN AVIATION. THIS DRAWING MAY BE COVERED UNDER ONE OR MORE U.S. OR INTERNATIONAL PATENTS. PLEASE CONTACT ROSEN AVIATION FOR SPECIFIC INFORMATION.

ROSEN AVIATION 1020 OWEN LOOP SOUTH EUGENE, OREGON 97402 TEL: (541) 342-3802 FAX: (541) 342-4912	APPROVALS	INITIAL	DATE
	DRAWN BY	JEA	07/13/01
	CHECKER	JEAN	07/25/01
	ENGINEER	CT	07/25/01
TITLE MONITOR, CERTIFIED, w/GAS SPRING LIFT			DWG NO 1042-229
FIRST CALLED FOR: (FCF) 10.4" SLIMLINE			SIZE A REV L SCALE 1:8 SHEET 1 OF 2

UNLESS OTHERWISE SPECIFIED DIMENSIONS ARE IN INCHES
 .X = ± .1
 .XX = ± .03

 = ± 5°
 INTERPRET DIM AND TOL PER ASME Y14.5M - 1994

Performance Specifications

LCD Performance

Screen Resolution (pixels)	640 x 480
Video Standards supported	NTSC, PAL, SECAM
Display Viewing Area (mm)	211.2 x 158.4
Vertical Viewing Angle (CR>10)	+45°(up), -55°(down)
Horizontal Viewing Angle (CR>10)	±70°
Response Time	15 ms (typ) (white to black)
Contrast Ratio	300:1
Screen Brightness	350 cd/m ² typ 280 cd/m ² min

Power Requirements

Nominal Power	25W (max)
Nominal Voltage	28VDC

Environmental Specifications

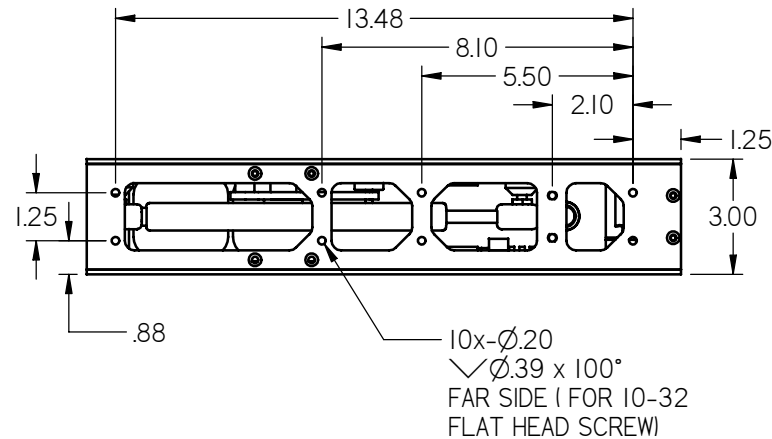
Operating Temperature	0°C to 50°C
Altitude	15,000ft
Humidity	95%RH
Vibration	1.48 grms
Power Input	DO-160D Cat A
RF Susceptibility	DO-160D Cat TT
Emission of RF Energy	DO-160D Cat M

DB9 Pinout

Connector: 9 Pin Male D-Subminiature
Positronic SD9M0000Z

Mate: 9 Pin Female D-Subminiature
Positronic SD9F0000X

Pin #	Monitor signal
1	Chassis Ground
2	DC Input
3	DC Return
4	Reserved
5	Reserved
6	Reserved
7	Video Signal Input
8	Video Ground
9	Reserved



THE INFORMATION CONTAINED HEREIN IS PROPRIETARY TO ROSEN AVIATION, LLC. IT SHALL NOT BE REPRODUCED OR DISCLOSED IN WHOLE OR IN PART OR USED FOR ANY DESIGN OR MANUFACTURE EXCEPT WHEN SUCH USER POSSESSES DIRECT, WRITTEN AUTHORIZATION FROM ROSEN AVIATION, LLC. THIS DRAWING MAY BE COVERED UNDER ONE OR MORE U.S. OR INTERNATIONAL PATENTS. PLEASE CONTACT ROSEN AVIATION FOR SPECIFIC INFORMATION.

ROSEN AVIATION	1020 OWEN LOOP SOUTH EUGENE, OREGON 97402 TEL: (541) 342-3802 FAX: (541) 342-4912	SIZE	DWG NO	REV
		A	1042-229	L
		SCALE	NONE	SHEET 2 OF 2