

NOTES: (unless otherwise specified)

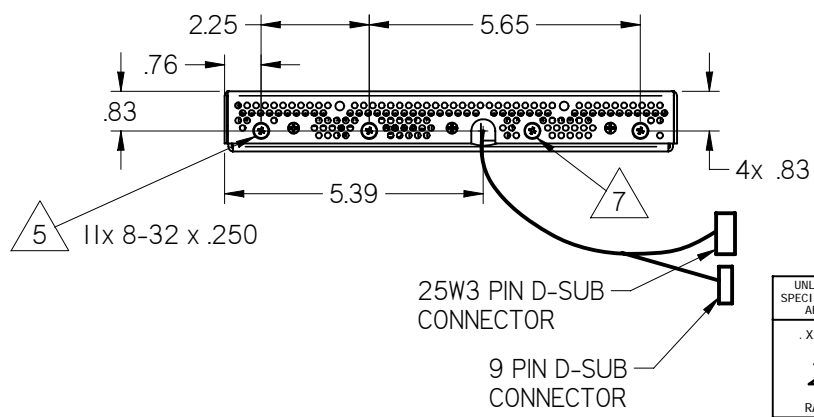
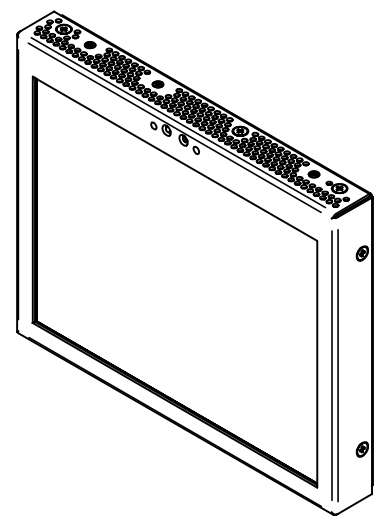
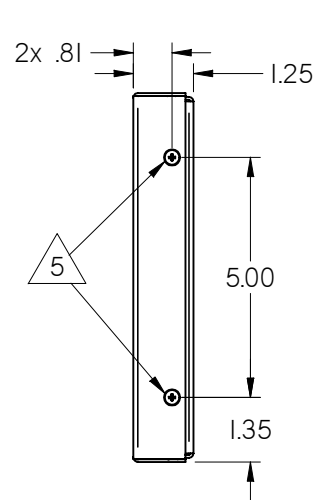
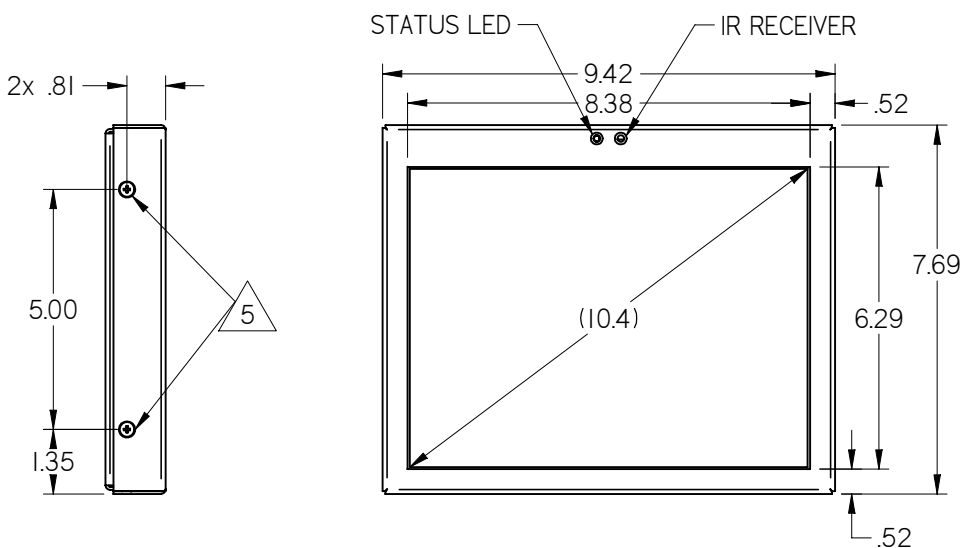
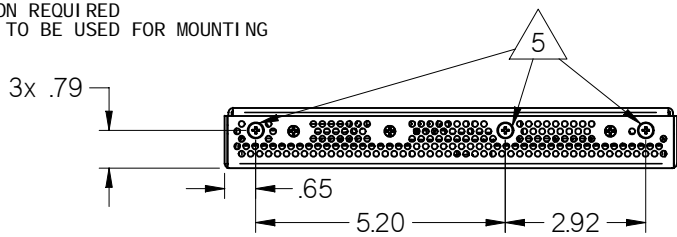
1. ASSEMBLY WEIGHT: 3.2 LBS. ± 10%
2. HARNESS LENGTH: 16.00" ± 2.0
3. OBSERVE ESD SAFE HANDLING PRACTICES
4. DO NOT PLUG OR UNPLUG MONITOR WHEN POWER IS APPLIED
5. MAX THREAD INSERTION OF .375in MAX
6. FREE AIR VENTILATION REQUIRED
7. SCREW LOCATION NOT TO BE USED FOR MOUNTING

2

REVISIONS

ZONE	REV	DESCRIPTION	DATE	BY	CHG NO	APRV
	A	INITIAL DRAWING RELEASE	03/26/08	GJH	EC08071	
	B	CHG GENDER OF DB9 FROM FEMALE	04/15/08	GJH	EC08169	JBM
pg2	C	CHG 25W3 PIN'S 15 & 22 CALLOUT	05/19/08	GJH	EC08215	JBM
pg2	D	CHG 25W3 PIN'S 15 & 22 CALLOUT	06/09/08	GJH	EC08241	JBM
pg2	F	CHG 25W3 PIN 22 CALLOUT, DB9 5 & 9	07/17/08	GJH	EC08216	SC
A1	G	CHG NOTE 2 HARNESS TOLERANCE	08/31/09	GJH	EC09358	MCS
B1	H	ADD SCREW CALLOUT	04/19/10	DE	EC10199	

ELECTRONIC REVISION CONTROLLED



THE INFORMATION CONTAINED HEREIN IS PROPRIETARY TO ROSEN AVIATION, LLC. IT SHALL NOT BE REPRODUCED OR DISCLOSED IN WHOLE OR IN PART OR USED FOR ANY DESIGN OR MANUFACTURE EXCEPT WHEN SUCH USER POSSESSES DIRECT, WRITTEN AUTHORIZATION FROM ROSEN AVIATION. THIS DRAWING MAY BE COVERED UNDER ONE OR MORE U.S. OR INTERNATIONAL PATENTS. PLEASE CONTACT ROSEN AVIATION FOR SPECIFIC INFORMATION.

	1020 OWEN LOOP SOUTH EUGENE, OREGON 97402 TEL: (541) 342-3802 FAX: (541) 342-4912		APPROVALS	INITIAL	DATE
			DRAWN BY	GJH	01/08/08
			CHECKER	SC	03/26/08
		ENGINEER	DRF	03/26/08	
TITLE OUTLINE & INSTALLATION DRAWING, MONITOR, BLKHD, BOTTOM, EXIT, EXTERNAL OSD CONTROL			DWG NO 1043-005-CD		
FIRST CALLED FOR: (FCF) 10.4" BULKHEAD			SIZE		REV
			A		H
			SCALE	1:4	SHEET 1 OF 2

UNLESS OTHERWISE SPECIFIED DIMENSIONS ARE IN INCHES
 .XX = ± .03
 = ± 5.0°
 RADI ± .020
 INTERPRET DIM AND TOL PER ASME Y14.5M - 1994

1

2

Performance Specifications (reference)

LCD Performance	
Screen Resolution (pixels)	1024 x 768
Video Standards supported	NTSC, PAL, SECAM
Display Viewing Area (mm)	210 x 158
Vertical Viewing Angle (CR>10)	+88°(up), -88°(down)
Horizontal Viewing Angle (CR>10)	88°/88° (left/right)
Response Time	10 ms
Contrast Ratio	1200:1
Screen Brightness	400 nits

Power Requirements	
Nominal Voltage/Current	28 VDC / 0.4 A
Inrush Current	30A / 220µsec
Op Voltage Range	18-32 VDC
Maximum Current Draw	0.625A @ 18 VDC
Power Consumption	11.2 W

Environmental Specifications	
Operating Temperature	0°C to 50°C
Altitude	15,000ft
Humidity	95%RH
Vibration	1.48 grms
Power Input	DO-160 Cat Z/B
RF Susceptibility	DO-160 Cat T
Emission of RF Energy	DO-160 Cat B

25W3 Pin Pinout

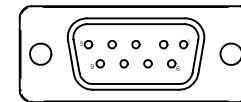
Connector: 25W3 Male D-Subminiature
Positronic CBC25W3M00000
Mate: 25W3 Female D-Subminiature
Positronic CBC25W3F00000

Pin #	Monitor Signal
1	28 VDC Return
2	RS-232 RX
3	RS-232 TX
4	RS-232 Return
5	Hsync
6	Vsync
7	RS-485 B
8	RS-485 B
9	RS-485 A
10	RS-485 A
11	Red In
12	Green In
13	Blue In
14	Ground
15	Discrete Source Select
16	28 VDC In
17	Red Return
18	Green Return
19	Blue Return
20	RS-485 Return
21	RS-485 Return
22	Discrete Power On/Off
A1	CVBS 1
A1	CVBS1 Return
A2	CVBS 2
A2	CVBS2 Return

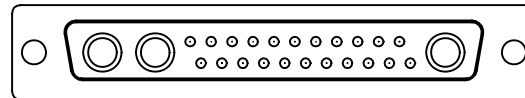
DB9 Pinout

Connector: 9 Pin Female D-Subminiature
Positronic SD9F0000X
Mate: 9 Pin Male D-Subminiature
Positronic SD9M0000Z

Pin #	Monitor signal
1	Ground
2	Reserved
3	Menu
4	Adjust +
5	Select -
6	Reserved
7	Reserved
8	Adjust -
9	Select +



SD9F0000X



CBC25W3M00000

THE INFORMATION CONTAINED HEREIN IS PROPRIETARY TO ROSEN AVIATION, LLC. IT SHALL NOT BE REPRODUCED OR DISCLOSED IN WHOLE OR IN PART OR USED FOR ANY DESIGN OR MANUFACTURE EXCEPT WHEN SUCH USER POSSESSES DIRECT, WRITTEN AUTHORIZATION FROM ROSEN AVIATION, LLC. THIS DRAWING MAY BE COVERED UNDER ONE OR MORE U.S. OR INTERNATIONAL PATENTS. PLEASE CONTACT ROSEN AVIATION FOR SPECIFIC INFORMATION.

ROSEN AVIATION	1020 OWEN LOOP SOUTH EUGENE, OREGON 97402 TEL: (541) 342-3802 FAX: (541) 342-4912	SIZE A	DWG NO 1043-005-CD	REV H
	SCALE NONE	SHEET 2 OF 2		