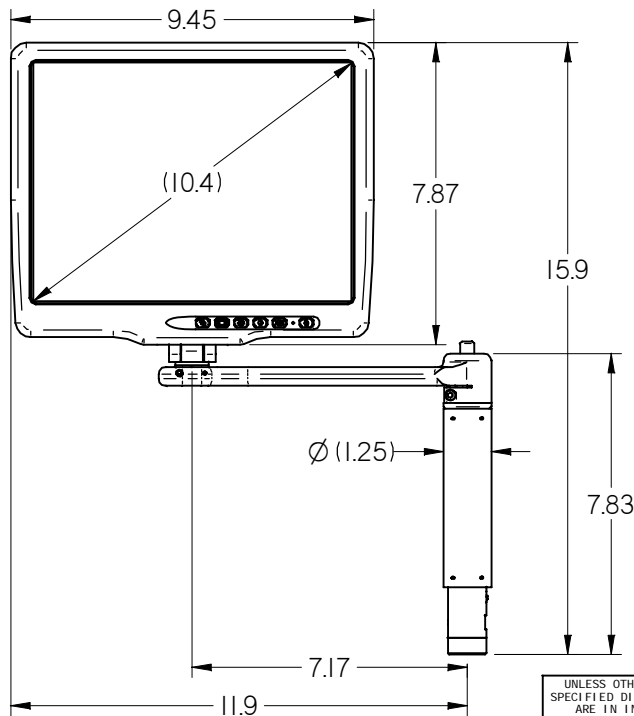
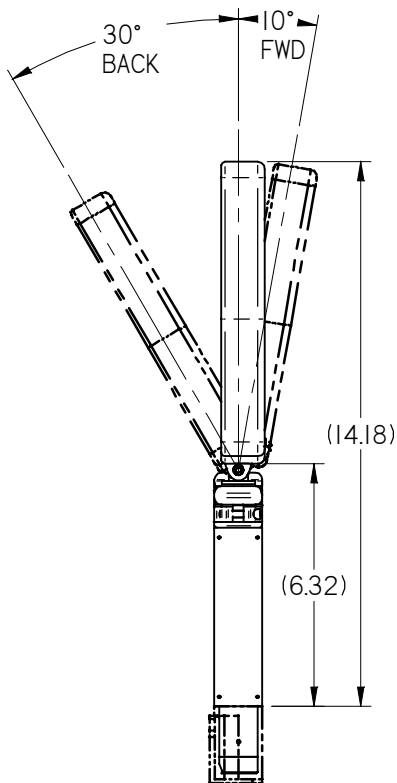
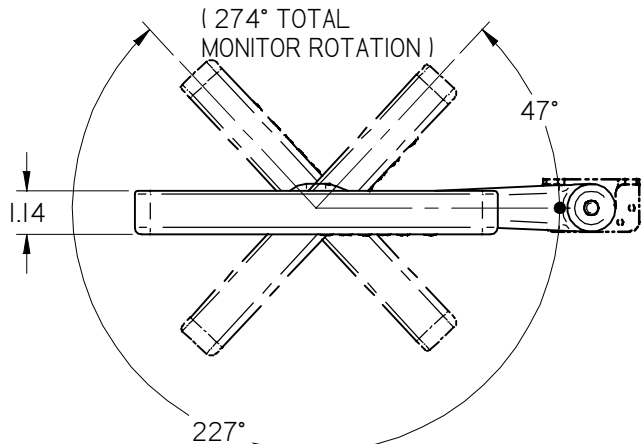


NOTES: (unless otherwise specified)

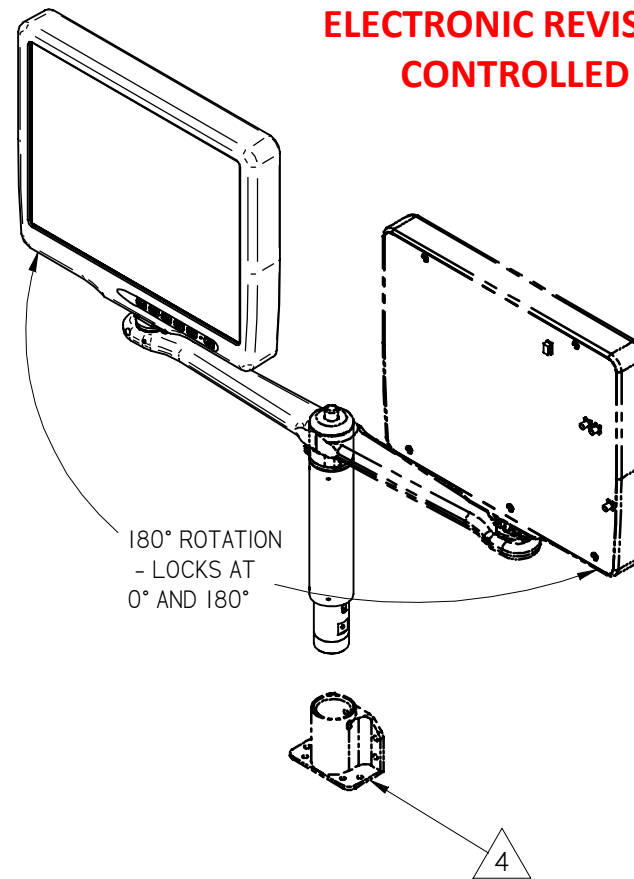
1. ALL MATERIALS AND INSTRUCTIONS LISTED ON BILL OF MATERIALS.
2. COMPONENT WEIGHT: 3.9 LBS ±5%
3. WIRE HARNESSES, LABELS, SHIPPING PACKAGING AND SOME MINOR PARTS OMITTED FROM DRAWING VIEW FOR CLARITY.

⚠ BASE SOLD SEPARATELY



REVISIONS						
ZONE	REV	DESCRIPTION	DATE	BY	CHG NO	APRV
	A	INITIAL DRAWING RELEASE	02/19/08	GJH	EC08045	
A1	B	UPDATE WEIGHT	04/15/08	GJH	EC08169	JBM
B1	C	UPDATE ARM	05/19/08	GJH	EC08209	SC
pg2	D	ADD 0100-043 BASE	06/18/08	GJH	EC08247	SC
B2	F	CHG .X TOL FROM .01	12/05/08	GJH	EC08331	SC

ELECTRONIC REVISION CONTROLLED



THE INFORMATION CONTAINED HEREIN IS PROPRIETARY TO ROSEN AVIATION, LLC. IT SHALL NOT BE REPRODUCED OR DISCLOSED IN WHOLE OR IN PART OR USED FOR ANY DESIGN OR MANUFACTURE EXCEPT WHEN SUCH USER POSSESSES DIRECT, WRITTEN AUTHORIZATION FROM ROSEN AVIATION. THIS DRAWING MAY BE COVERED UNDER ONE OR MORE U.S. OR INTERNATIONAL PATENTS. PLEASE CONTACT ROSEN AVIATION FOR SPECIFIC INFORMATION.

ROSEN AVIATION 1020 OWEN LOOP SOUTH EUGENE, OREGON 97402 TEL: (541) 342-3802 FAX: (541) 342-4912	APPROVALS	INITIAL	DATE
	DRAWN BY	GJH	01/28/08
	CHECKER	DRF	02/19/08
	ENGINEER	SC	02/19/08
TITLE		DWG NO	
OUTLINE & INSTALLATION DRAWING, 10.4" PCR POGO, LOCKING ARM		1043-037-CD	
FIRST CALLED FOR: (FCF)		SIZE	REV
10.4" SLIMLINE		A	F
		SCALE	SHEET
		1 : 5	1 OF 2

UNLESS OTHERWISE SPECIFIED DIMENSIONS ARE IN INCHES
 .X = ± .1
 .XX = ± .03
 ∑ = ± 5.0°
 RADI = ± .020
 INTERPRET DIM AND TOL PER ASME Y14.5M - 1994

REFER TO www.rosenaviation.com FOR THE LATEST REVISION INFORMATION.

Performance Specifications (reference)

LCD Performance

Screen Resolution (pixels)	1024 x 768
Video Standards supported	NTSC, PAL, SECAM
Display Viewing Area (mm)	210 x 158
Vertical Viewing Angle (CR>10)	+88°(up), -88°(down)
Horizontal Viewing Angle (CR>10)	88°/88° (left/right)
Response Time	10 ms
Contrast Ratio	1200:1
Screen Brightness	400 nits

Power Requirements

Nominal Voltage/Current	28 VDC / 0.4 A
Inrush Current	30A / 200µsec
Op Voltage Range	18-32 VDC
Maximum Current Draw	0.625A @ 18 VDC
Power Consumption	11.2 W

Environmental Specifications

Operating Temperature	0°C to 50°C
Altitude	15,000ft
Humidity	95%RH
Vibration	1.48 grms
Power Input	DO-16 Cat ZB
RF Susceptibility	DO-16 Cat T
Emission of RF Energy	DO-16 Cat B

Base Receptacle Pinout - DB9

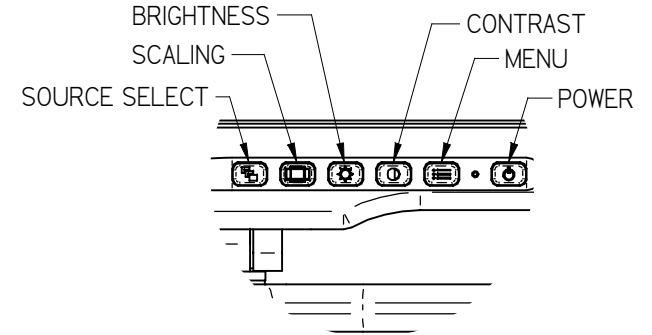
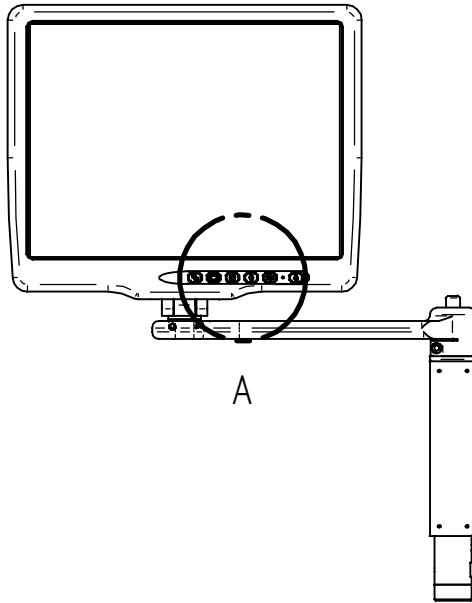
SlimLine Base Receptacle

Model 0100-041, 0100-042, 0100-043

Connector: 9 Pin Male D-Subminiature
Positronic SD9M0000Z

Mate: 9 Pin Female D-Subminiature
Positronic SD9F0000X

Pin #	Monitor signal
1	Reserved
2	+28V DC
3	DC Return
4	Select Switch
5	Select Switch Return
6	Reserved
7	Video Signal Input
8	Video Ground
9	Reserved



DETAIL A

THE INFORMATION CONTAINED HEREIN IS PROPRIETARY TO ROSEN AVIATION, LLC. IT SHALL NOT BE REPRODUCED OR DISCLOSED IN WHOLE OR IN PART OR USED FOR ANY DESIGN OR MANUFACTURE EXCEPT WHEN SUCH USER POSSESSES DIRECT, WRITTEN AUTHORIZATION FROM ROSEN AVIATION, LLC. THIS DRAWING MAY BE COVERED UNDER ONE OR MORE U.S. OR INTERNATIONAL PATENTS. PLEASE CONTACT ROSEN AVIATION FOR SPECIFIC INFORMATION.

ROSEN
AVIATION

1020 OWEN LOOP SOUTH
EUGENE, OREGON 97402
TEL: (541) 342-3802 FAX: (541) 342-4912

SIZE	DWG NO	REV
A	1043-037-CD	F
SCALE	NONE	SHEET 2 OF 2