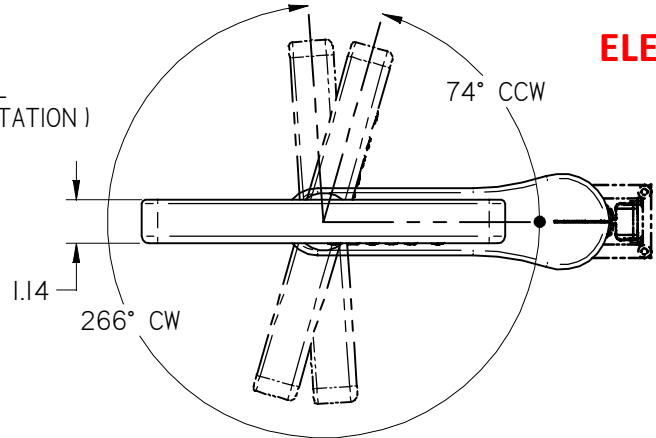


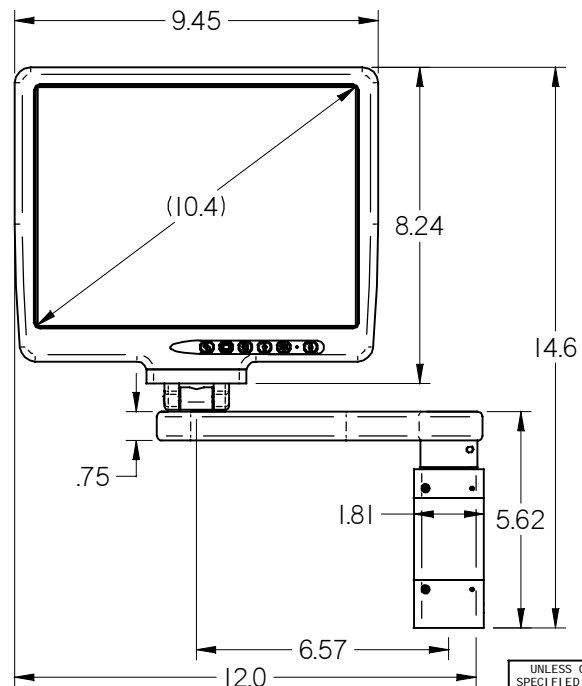
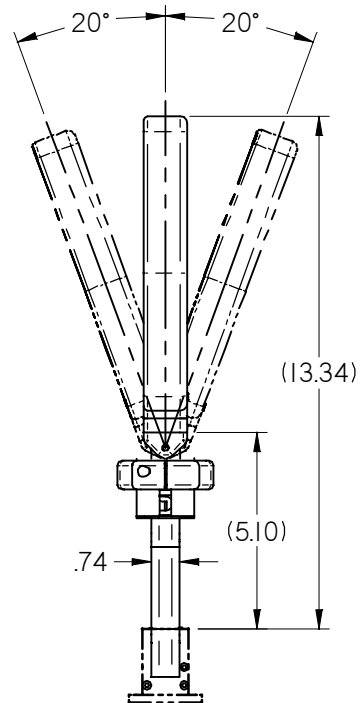
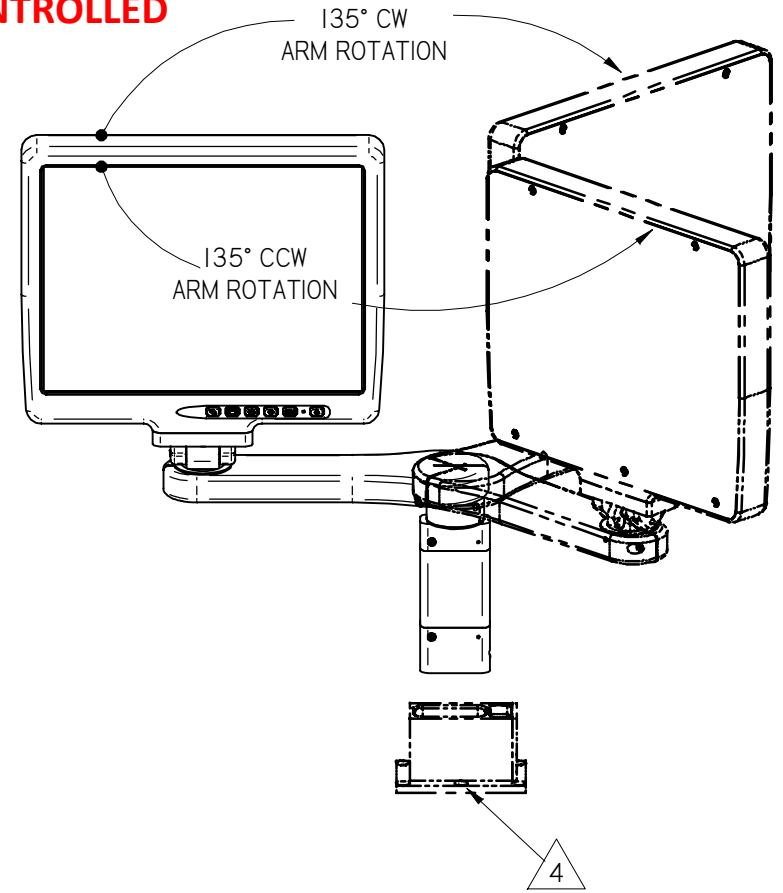
NOTES: (unless otherwise specified)

- 1. ALL MATERIALS AND INSTRUCTIONS LISTED ON BILL OF MATERIALS
 - 2. COMPONENT WEIGHT: 4.4 LBS ± 10%
 - 3. WIRE HARNESSES, LABELS, SHIPPING PACKAGING AND SOME MINOR PARTS OMITTED FROM DRAWING VIEW FOR CLARITY
- ⚠ BASE SOLD SEPARATELY

REVISIONS						
ZONE	REV	DESCRIPTION	DATE	BY	CHG NO	APRV
	A	INITIAL DRAWING RELEASE	02/19/08	GJH	EC08045	
pg2	B	REMOVE 12V REF FROM 26 PIN CHART	05/06/08	GJH	EC08199	SC
	C	CORRECT WEIGHT, POWER REQUIREMENTS	09/14/09	GJH	EC09362	MCS



ELECTRONIC REVISION CONTROLLED



THE INFORMATION CONTAINED HEREIN IS PROPRIETARY TO ROSEN AVIATION, LLC. IT SHALL NOT BE REPRODUCED OR DISCLOSED IN WHOLE OR IN PART OR USED FOR ANY DESIGN OR MANUFACTURE EXCEPT WHEN SUCH USER POSSESSES DIRECT, WRITTEN AUTHORIZATION FROM ROSEN AVIATION. THIS DRAWING MAY BE COVERED UNDER ONE OR MORE U.S. OR INTERNATIONAL PATENTS. PLEASE CONTACT ROSEN AVIATION FOR SPECIFIC INFORMATION.

ROSEN AVIATION 1020 OWEN LOOP SOUTH
 EUGENE, OREGON 97402
 TEL: (541) 342-3802 FAX: (541) 342-4912

APPROVALS	INITIAL	DATE
DRAWN BY	GJH	01/17/08
CHECKER	DRF	02/19/08
ENGINEER	SC	02/19/08

UNLESS OTHERWISE SPECIFIED DIMENSIONS ARE IN INCHES
 .X = ± .1
 .XX = ± .03
 ∑ = ± 5.0°
 RADI = ± .020
 INTERPRET DIM AND TOL PER ASME Y14.5M - 1994

TITLE
OUTLINE & INSTALLATION DRAWING
10.4", CKC ARM
 FIRST CALLED FOR: (FCF)
10.4" SLIMLINE

DWG NO		1043-110-CD	
SIZE		REV	
A		C	
SCALE	1:5	SHEET	1 OF 2

REFER TO www.rosenaviation.com FOR THE LATEST REVISION INFORMATION.

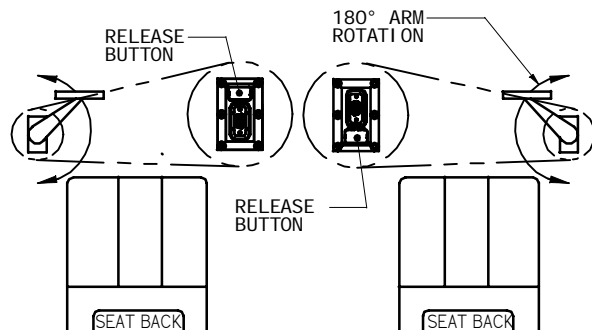
Performance Specifications (reference)

LCD Performance	
Screen Resolution (pixels)	1024 x 768
Video Standards supported	NTSC, PAL, SECAM
Display Viewing Area (mm)	210 x 158
Vertical Viewing Angle (CR>10)	+88°(up), -88°(down)
Horizontal Viewing Angle (CR>10)	88°/88° (left/right)
Response Time	10 ms
Contrast Ratio	1200:1
Screen Brightness	400 nits

Power Requirements	
Nominal Voltage/Current	28 VDC / 0.4 A
Inrush Current	30A / 220µsec
Op Voltage Range	18-32 VDC
Maximum Current Draw	0.625A @ 18 VDC
Power Consumption	11.2 W

Environmental Specifications	
Operating Temperature	0°C to 50°C
Altitude	15,000ft
Humidity	95%RH
Vibration	1.48 grms
Power Input	DO-160 Cat ZB
RF Susceptibility	DO-160 Cat T
Emission of RF Energy	DO-160 Cat B

Base Receptacle Orientation



LEFT HAND INSTALLATION
RELEASE BUTTON ON OTHER
SIDE OF BASE FROM PASSENGER

RIGHT HAND INSTALLATION
RELEASE BUTTON ON
PASSENGER SIDE OF BASE

26 Pin Pinout

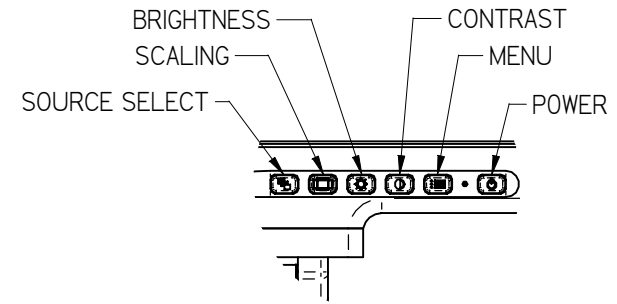
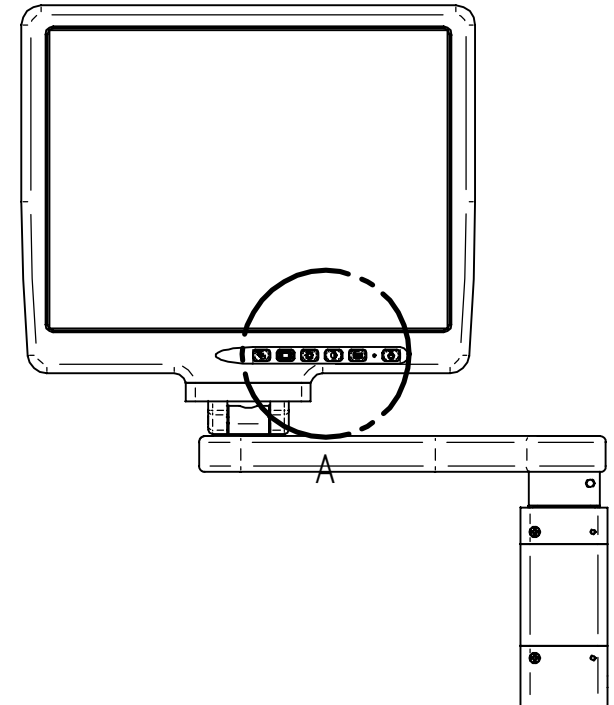
RNVAP Base Receptacle Model 0100-020

Connector: 26 Pin Male D-Subminiature
Positronic ODD26M0000Z

Mate: 26 Pin Female D-Subminiature
Positronic ODD26F0000X

Pin #	Monitor signal
1	Red
2	Green
3	Blue
4	Reserved
5	Reserved
6	Red Return
7	Green Return
8	Blue Return
9	Reserved
10	Computer Ground
11	Select Switch
12	Select Switch Return
13	Horizontal Sync
14	Vertical Sync
15	Reserved
16	Reserved
17	Reserved
18	Reserved
19	Reserved
20	Video Shield*
21	Reserved
22	Reserved
23	Reserved
24	Video Signal Input (NTSC, PAL)
25	28 Volt DC(+)
26	Power Supply Return DC (-)

*Do not attach either line to supply return or computer ground.



DETAIL A

THE INFORMATION CONTAINED HEREIN IS PROPRIETARY TO ROSEN AVIATION, LLC. IT SHALL NOT BE REPRODUCED OR DISCLOSED IN WHOLE OR IN PART OR USED FOR ANY DESIGN OR MANUFACTURE EXCEPT WHEN SUCH USER POSSESSES DIRECT, WRITTEN AUTHORIZATION FROM ROSEN AVIATION, LLC. THIS DRAWING MAY BE COVERED UNDER ONE OR MORE U.S. OR INTERNATIONAL PATENTS. PLEASE CONTACT ROSEN AVIATION FOR SPECIFIC INFORMATION.

ROSEN AVIATION

1020 OWEN LOOP SOUTH
EUGENE, OREGON 97402
TEL: (541) 342-3802 FAX: (541) 342-4912

SIZE	DWG NO	REV
A	1043-110-CD	C
SCALE	NONE	SHEET 2 OF 2