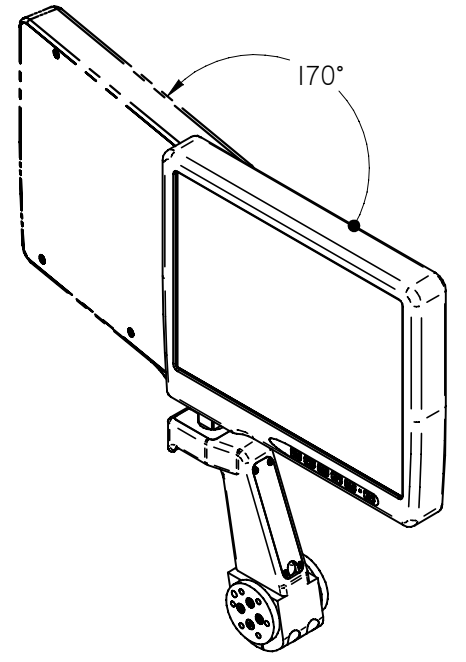
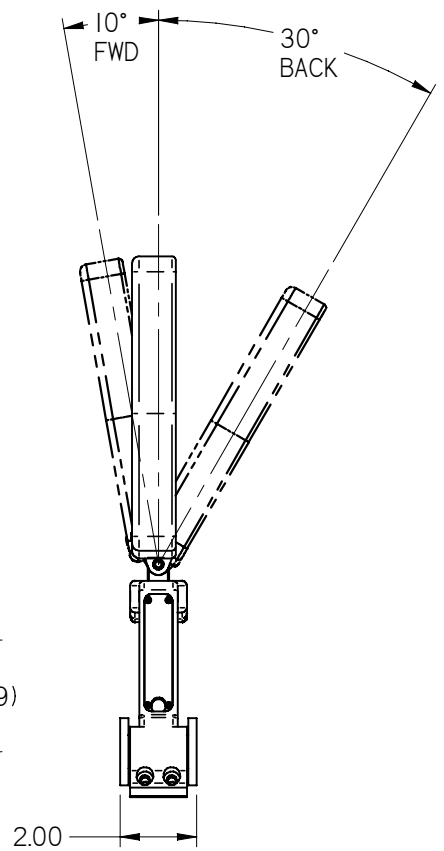
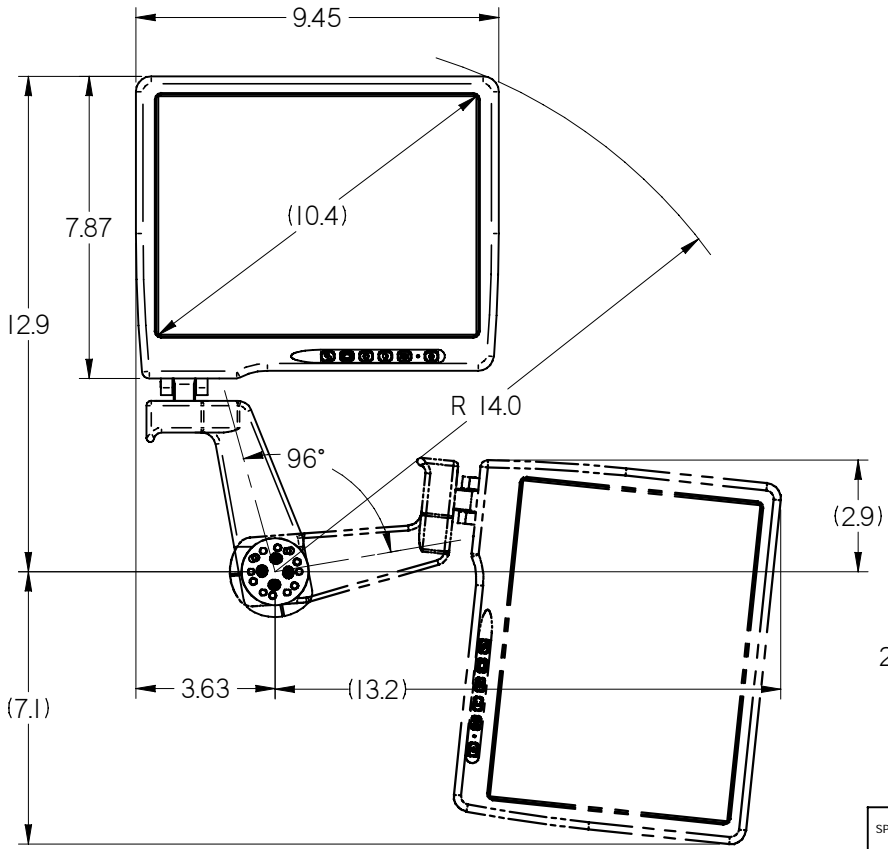
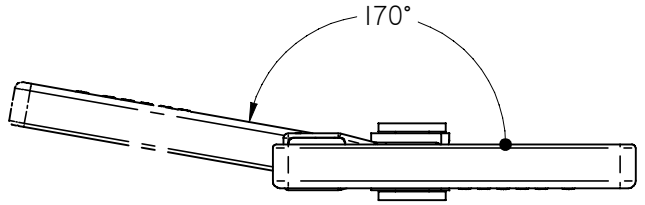


NOTES: (unless otherwise specified)

- 1. ALL MATERIALS AND INSTRUCTIONS LISTED ON BILL OF MATERIALS.
- 2. COMPONENT WEIGHT: 4.5 LBS ±5%
- 3. HARNESS LENGTH 12.0" ± 2.0"
- 4. WIRE HARNESES, LABELS, SHIPPING PACKAGING AND SOME MINOR PARTS OMITTED FROM DRAWING VIEW FOR CLARITY.

# ELECTRONIC REVISION CONTROLLED

REVISIONS						
ZONE	REV	DESCRIPTION	DATE	BY	CHG NO	APRV
	A	INITIAL DRAWING RELEASE	02/19/08	GJH	EC08045	
	B	PI NOUT UPDATED PAGE 2	04/15/08	GJH	EC08125	SC
A1	C	CORRECT NOTE 2, WEIGHT	06/19/08	GJH	EC08257	SC
B2	D	CHG ANGLE TOLERANCE FROM 1.0°	08/04/08	GJH	EC08319	SC



THE INFORMATION CONTAINED HEREIN IS PROPRIETARY TO ROSEN AVIATION, LLC. IT SHALL NOT BE REPRODUCED OR DISCLOSED IN WHOLE OR IN PART OR USED FOR ANY DESIGN OR MANUFACTURE EXCEPT WHEN SUCH USER POSSESSES DIRECT, WRITTEN AUTHORIZATION FROM ROSEN AVIATION. THIS DRAWING MAY BE COVERED UNDER ONE OR MORE U.S. OR INTERNATIONAL PATENTS. PLEASE CONTACT ROSEN AVIATION FOR SPECIFIC INFORMATION.

**ROSEN AVIATION** 1020 OWEN LOOP SOUTH  
EUGENE, OREGON 97402  
TEL: (541) 342-3802 FAX: (541) 342-4912

APPROVALS	INITIAL	DATE
DRAWN BY	GJH	01/08/08
CHECKER	DRF	02/07/08
ENGINEER	SC	02/19/08

UNLESS OTHERWISE SPECIFIED DIMENSIONS ARE IN INCHES  
 .XX = ± .020  
 .XXX = ± .005  
 R = ± 5.0°  
 RADI = ± .020  
 INTERPRET DIM AND TOL PER ASME Y14.5M - 1994

TITLE  
**OUTLINE & INSTALLATION DRAWING**  
**10.4", 3" GOOSENECK, LEFT**  
 FIRST CALLED FOR: (FCF)  
**10.4" SLIMLINE**

DWG NO		1043-120-CD	
SIZE	A	REV	D
SCALE	1:4	SHEET	1 OF 2

### Performance Specifications (reference)

#### LCD Performance

Screen Resolution (pixels)	1024 x 768
Video Standards supported	NTSC, PAL, SECAM
Display Viewing Area (mm)	210 x 158
Vertical Viewing Angle (CR>10)	+88°(up), -88°(down)
Horizontal Viewing Angle (CR>10)	88°/88° (left/right)
Response Time	10 ms
Contrast Ratio	1200:1
Screen Brightness	400 nits

#### Power Requirements

Nominal Power	15W (max)
Nominal Voltage	28VDC

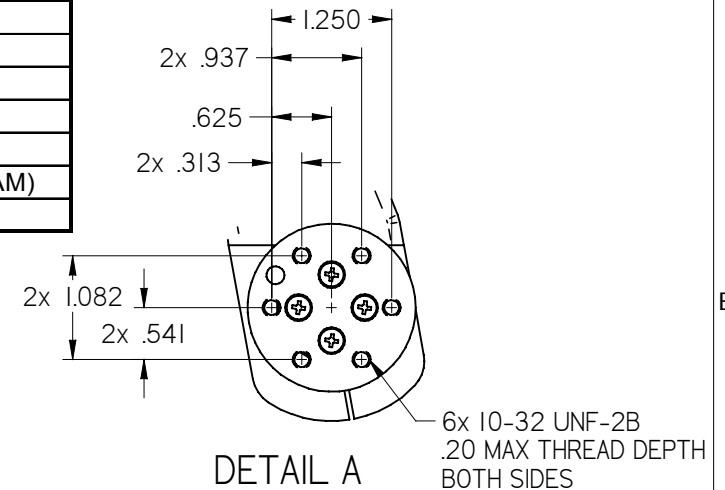
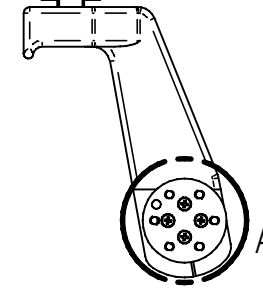
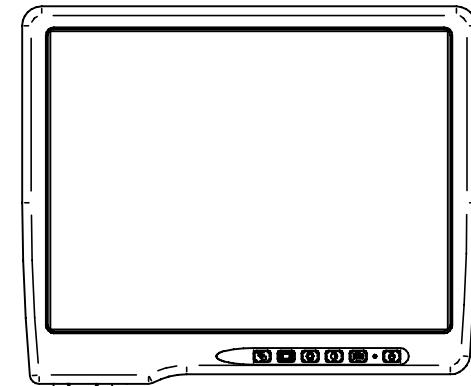
#### Environmental Specifications

Operating Temperature	0°C to 50°C
Altitude	15,000ft
Humidity	95%RH
Vibration	1.48 grms
Power Input	DO-160 Cat ZB
RF Susceptibility	DO-160 Cat TT
Emission of RF Energy	DO-160 Cat B

### 25W3 Pinout

Connector: 25W3 Male D-Subminiature Positronic CBC25W3M00000
Mate: 25W3 Female D-Subminiature Positronic CBC25W3F00000 (INCLUDED)

Pin #	Monitor signal
1	28VDC Rtn
2	Reserved
3	Reserved
4	Reserved
5	Hsync
6	Vsync
7	Reserved
8	Reserved
9	Reserved
10	Reserved
11	Red In
12	Green In
13	Blue In
14	GND
15	Select Switch In
16	28VDC In
17	Red Return
18	Green Return
19	Blue Return
20	Reserved
21	Reserved
22	Select Switch Out
A1 Center	Video Signal Input (NTSC, PAL, SECAM)
A1 Shield	Video Shield



THE INFORMATION CONTAINED HEREIN IS PROPRIETARY TO ROSEN AVIATION, LLC. IT SHALL NOT BE REPRODUCED OR DISCLOSED IN WHOLE OR IN PART OR USED FOR ANY DESIGN OR MANUFACTURE EXCEPT WHEN SUCH USER POSSESSES DIRECT, WRITTEN AUTHORIZATION FROM ROSEN AVIATION, LLC. THIS DRAWING MAY BE COVERED UNDER ONE OR MORE U.S. OR INTERNATIONAL PATENTS. PLEASE CONTACT ROSEN AVIATION FOR SPECIFIC INFORMATION.

ROSEN AVIATION	1020 OWEN LOOP SOUTH EUGENE, OREGON 97402 TEL: (541) 342-3802 FAX: (541) 342-4912	SIZE	DWG NO	REV
		A	1043-120-CD	D
SCALE NONE		SHEET 2 OF 2		