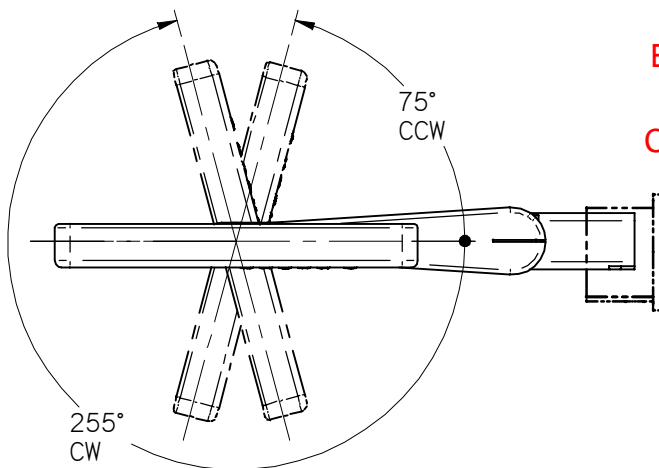


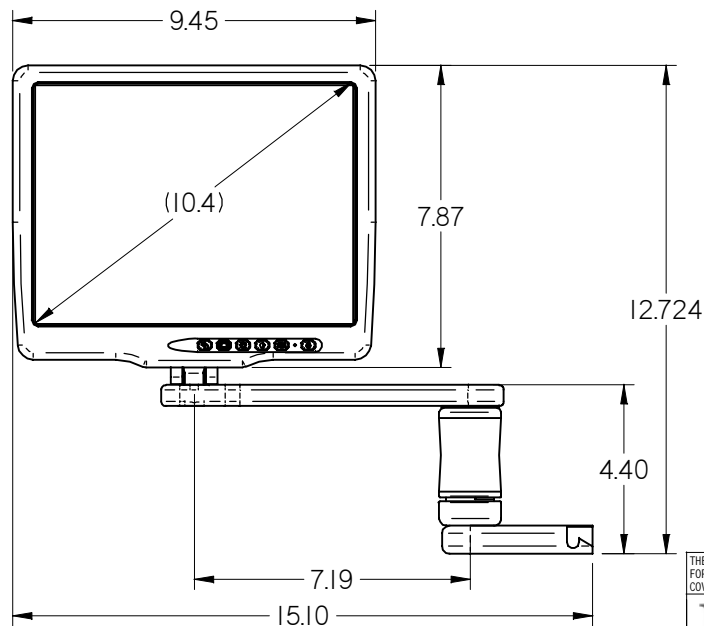
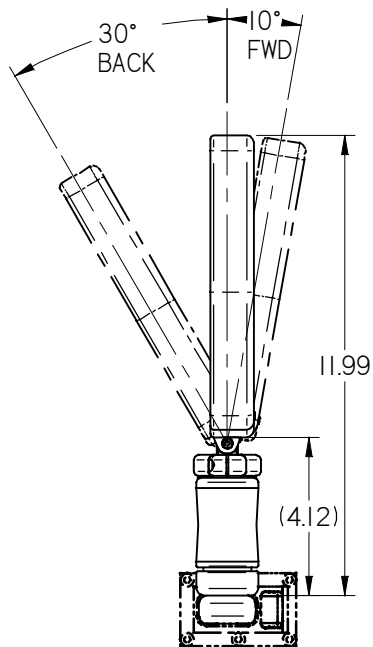
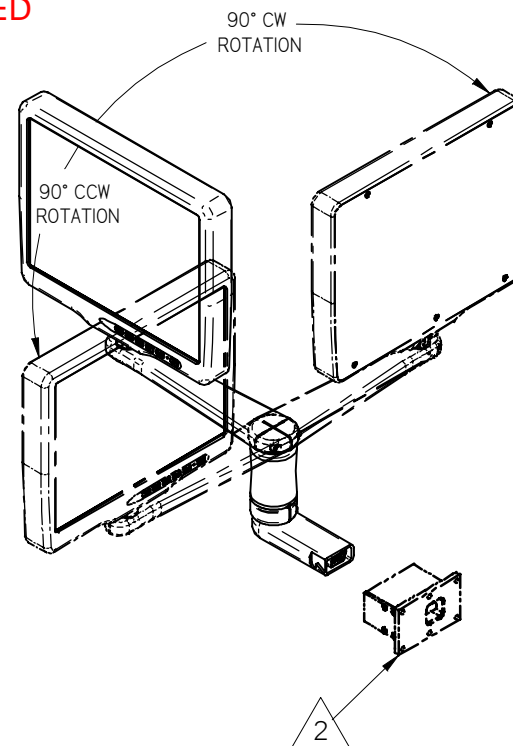
NOTES: (unless otherwise specified)

1. ASSEMBLY WEIGHT: 3.8LBS. ±10%
2. BASE SOLD SEPARATELY.
3. SOME MINOR PARTS, LABELS, HARNESSES AND INSTRUCTIONS OMITTED FOR CLARITY

REVISIONS						
ZONE	REV	DESCRIPTION	DATE	BY	CHG NO	APRV
	A	INITIAL DRAWING RELEASE	12/16/08	GJH	EC08539	



**ELECTRONIC
REVISION
CONTROLLED**



THE INFORMATION CONTAINED HEREIN IS PROPRIETARY TO ROSEN AVIATION, LLC. IT SHALL NOT BE REPRODUCED OR DISCLOSED IN WHOLE OR IN PART OR USED FOR ANY DESIGN OR MANUFACTURE EXCEPT WHEN SUCH USER POSSESSES DIRECT, WRITTEN AUTHORIZATION FROM ROSEN AVIATION. THIS DRAWING MAY BE COVERED UNDER ONE OR MORE U.S. OR INTERNATIONAL PATENTS. PLEASE CONTACT ROSEN AVIATION FOR SPECIFIC INFORMATION.

ROSEN AVIATION 1020 OWEN LOOP SOUTH
EUGENE, OREGON 97402
TEL: (541) 342-3802 FAX: (541) 342-4912

APPROVALS	INITIAL	DATE
DRAWN BY	GJH	12/11/08
CHECKER	SF	12/11/08
ENGINEER	DRF	12/16/08

UNLESS OTHERWISE SPECIFIED DIMENSIONS ARE IN INCHES
 .X = ± .1
 .XX = ± .03
 ⌀ = ± 5.0°
 RADI = ± .020
 INTERPRET DIM AND TOL PER ASME Y14.5M - 1994

TITLE
**OUTLINE & INSTALLATION DRAWING,
 MONITOR, 10.4" CENTER,
 UVK ARM w/RISER**
 FIRST CALLED FOR: (FCF)

DWG NO 1043-202-CD	
SIZE A	REV A
SCALE N.T.S.	SHEET 1 OF 2

REFER TO www.rosenaviation.com FOR THE LATEST REVISION INFORMATION.

Performance Specifications (reference)

LCD Performance

Screen Resolution (pixels)	1024 x 768
Video Standards supported	NTSC, PAL, SECAM
Display Viewing Area (mm)	210 x 158
Vertical Viewing Angle (CR>10)	+88°(up), -88°(down)
Horizontal Viewing Angle (CR>10)	88°/88° (left/right)
Response Time	10 ms
Contrast Ratio	1200:1
Screen Brightness	400 nits

Power Requirements

Nominal Voltage/Current	28 VDC / 0.4 A
Inrush Current	30A / 220µsec
Op Voltage Range	18-32 VDC
Maximum Current Draw	0.625A @ 18 VDC
Power Consumption	11.2 W

Environmental Specifications

Operating Temperature	0°C to 50°C
Altitude	15,000ft
Humidity	95%RH
Vibration	1.48 grms
Power Input	DO-160 Cat ZB
RF Susceptibility	DO-160 Cat T
Emission of RF Energy	DO-160 Cat B

Base Receptacle - DB9

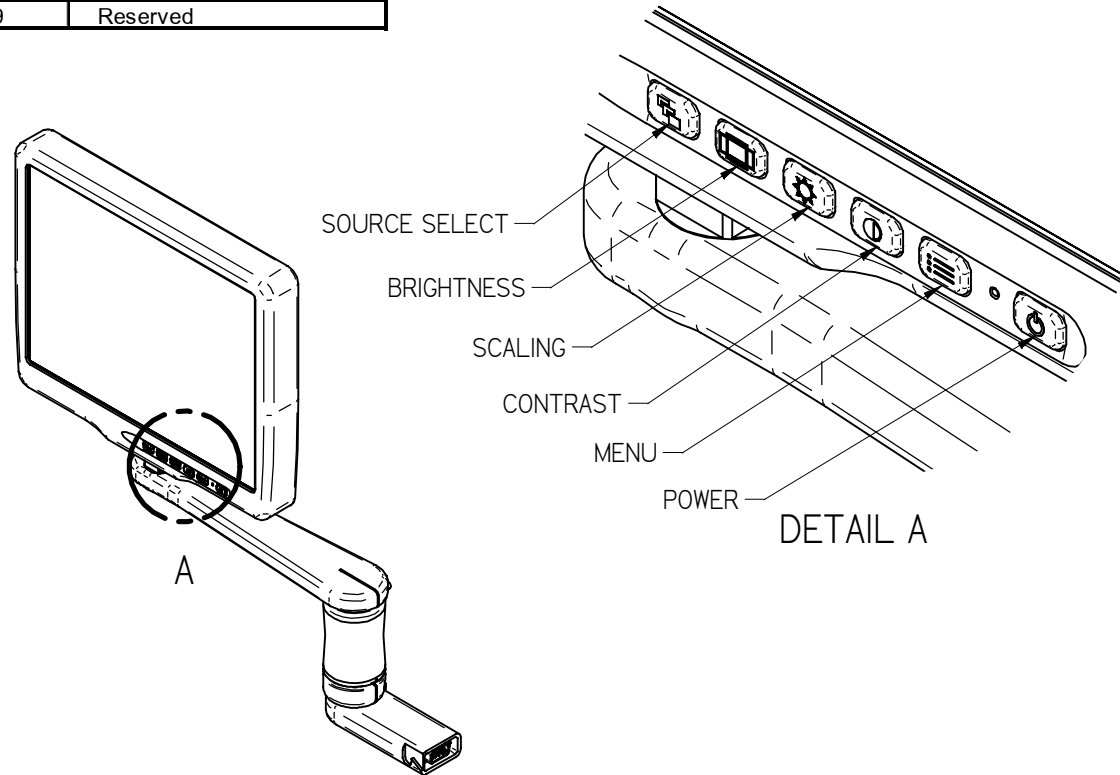
RNVAP Base Receptacle Model 0100-010
Connector: 9 Pin Male D-Subminiature Positronic SD9M0000Z
Mate: 9 Pin Female D-Subminiature Positronic SD9F0000X

Pin #	Monitor signal
1	Chassis Ground
2	+28V DC
3	DC Return
4	Select Switch
5	Select Switch Return
6	Reserved
7	Video Signal Input
8	Video Ground
9	Reserved

Base Receptacle - BNC/Molex

RNVAP Base Receptacle Model 0100-011
Video Connector: BNC Jack, (AMP 5221199-5)
Mating Video Connector: BNC Plug
Mating Power Connector: Molex 03-06-2033
Mating Power Contact: Molex 02-06-2103

Pin #	Monitor signal
BNC signal	Video Signal
BNC shield	Video Return
Molex 1	+28V DC
Molex 2	DC Return
Molex 3	Reserved



THE INFORMATION CONTAINED HEREIN IS PROPRIETARY TO ROSEN AVIATION, LLC. IT SHALL NOT BE REPRODUCED OR DISCLOSED IN WHOLE OR IN PART OR USED FOR ANY DESIGN OR MANUFACTURE EXCEPT WHEN SUCH USER POSSESSES DIRECT, WRITTEN AUTHORIZATION FROM ROSEN AVIATION, LLC. THIS DRAWING MAY BE COVERED UNDER ONE OR MORE U. S. OR INTERNATIONAL PATENTS. PLEASE CONTACT ROSEN AVIATION FOR SPECIFIC INFORMATION.

ROSEN AVIATION	1020 OWEN LOOP SOUTH EUGENE, OREGON 97402 TEL: (541) 342-3802 FAX: (541) 342-4912	SIZE A	DWG NO 1043-202-CD	REV A
	SCALE NONE	SHEET 2 OF 2		