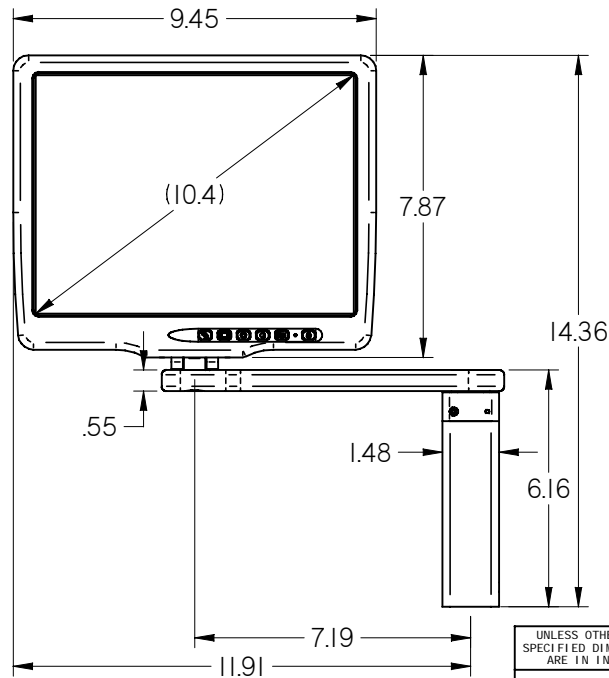
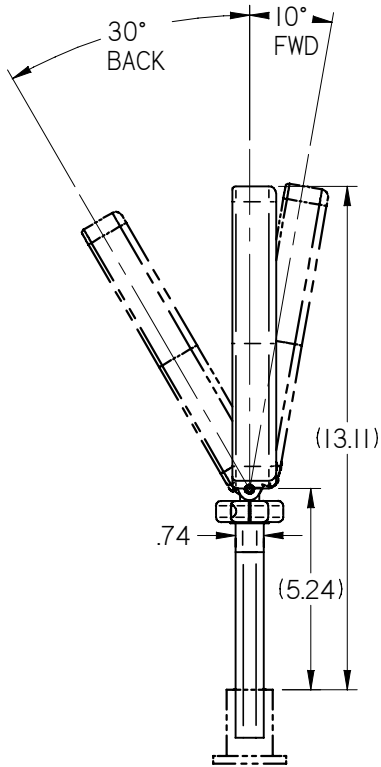
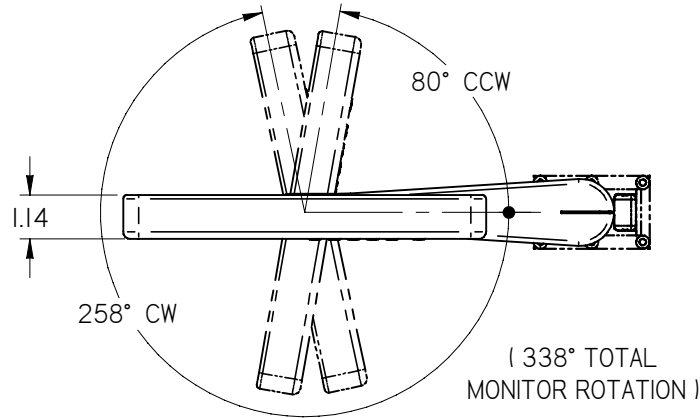
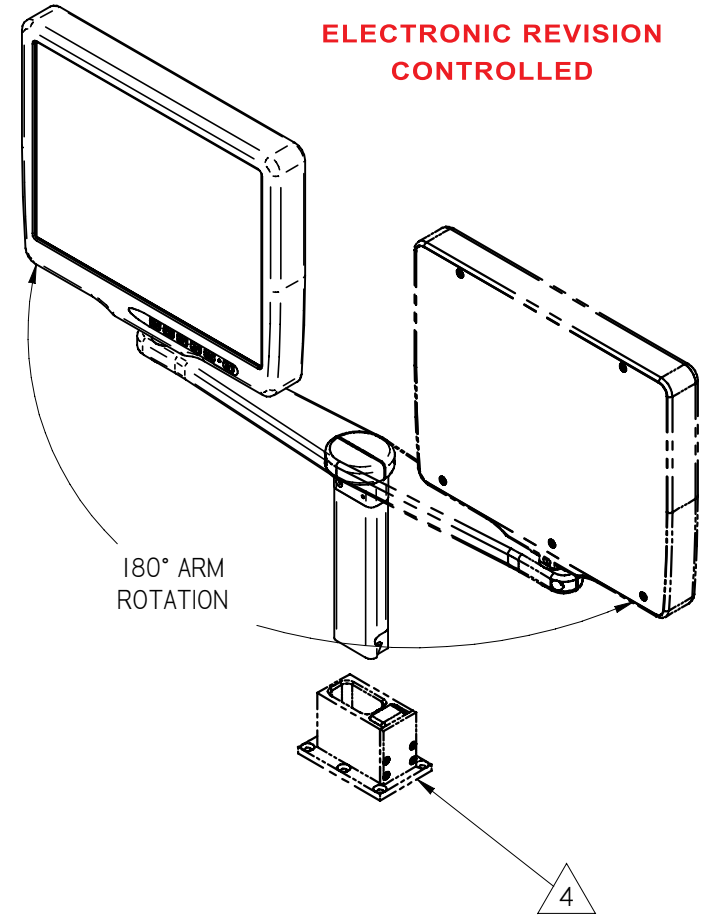


NOTES: (unless otherwise specified)

1. ALL MATERIALS AND INSTRUCTIONS LISTED ON BILL OF MATERIALS.
 2. COMPONENT WEIGHT: 4.0 LBS ±5%
 3. WIRE HARNESSES, LABELS, SHIPPING PACKAGING AND SOME MINOR PARTS OMITTED FROM DRAWING VIEW FOR CLARITY.
- ⚠ BASE SOLD SEPARATELY



REVISIONS						
ZONE	REV	DESCRIPTION	DATE	BY	CHG NO	APRV
	A	INITIAL DRAWING RELEASE	04/08/08	GJH	EC08157	
A1	B	UPDATE WEIGHT	04/15/08	GJH	EC08169	JBM



THE INFORMATION CONTAINED HEREIN IS PROPRIETARY TO ROSEN AVIATION, LLC. IT SHALL NOT BE REPRODUCED OR DISCLOSED IN WHOLE OR IN PART OR USED FOR ANY DESIGN OR MANUFACTURE EXCEPT WHEN SUCH USER POSSESSES DIRECT, WRITTEN AUTHORIZATION FROM ROSEN AVIATION. THIS DRAWING MAY BE COVERED UNDER ONE OR MORE U.S. OR INTERNATIONAL PATENTS. PLEASE CONTACT ROSEN AVIATION FOR SPECIFIC INFORMATION.

ROSEN AVIATION 1020 OWEN LOOP SOUTH EUGENE, OREGON 97402 TEL: (541) 342-3802 FAX: (541) 342-4912	APPROVALS	INITIAL	DATE
	DRAWN BY	GJH	01/16/08
	CHECKER	JBM	04/03/08
	ENGINEER	SC	04/08/08

TITLE		DWG NO	
OUTLINE & INSTALLATION DRAWING 10.4" FALCON ARM, EXTENDED PLUG		1043-220-CD	
FIRST CALLED FOR: (FCF)			
10.4" SLIMLINE		SIZE A	REV B
SCALE 1:5		SHEET 1 OF 2	

UNLESS OTHERWISE SPECIFIED DIMENSIONS ARE IN INCHES
 .X = ± .01
 .XX = ± .03
 ∑ = ± 5.0°
 RADIUS ± .020
 INTERPRET DIM AND TOL PER ASME Y14.5M - 1994

REFER TO www.rosenaviation.com FOR THE LATEST REVISION INFORMATION.

Performance Specifications (reference)

LCD Performance

Screen Resolution (pixels)	1024 x 768
Video Standards supported	NTSC, PAL, SECAM
Display Viewing Area (mm)	210 x 158
Vertical Viewing Angle (CR>10)	+88°(up), -88°(down)
Horizontal Viewing Angle (CR>10)	88°/88° (left/right)
Response Time	10 ms
Contrast Ratio	1200:1
Screen Brightness	400 nits

Power Requirements

Nominal Power	15W (max)
Nominal Voltage	28VDC

Environmental Specifications

Operating Temperature	0°C to 50°C
Altitude	15,000ft
Humidity	95%RH
Vibration	1.48 grms
Power Input	DO-160 Cat ZB
RF Susceptibility	DO-160 Cat TT
Emission of RF Energy	DO-160 Cat B

Base Receptacle Pinout - DB9

RNVAP Base Receptacle Model 0100-010 & 0100-012

Connector: 9 Pin Male D-Subminiature
Positronic SD9M0000Z

Mate: 9 Pin Female D-Subminiature
Positronic SD9F0000X

Pin #	Monitor signal
1	Chassis Ground
2	DC Input
3	DC Return
4	Select Switch
5	Select Switch Return
6	Reserved
7	Video Signal Input
8	Video Ground
9	Reserved

Base Receptacle Pinout-BNC/Molex

RNVAP Base Receptacle Model 0100-011

Video Connector: BNC Jack, AMP 221199-5

Power Connector: Male 3 pin, .062" Molex

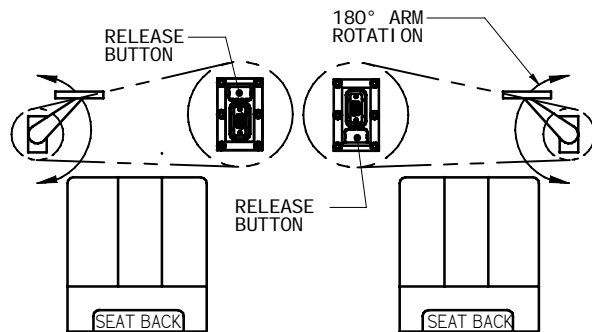
Mating Video Connector: BNC Plug

Mating Power Connector: Molex 03-06-1038

Mating Power Contact: Molex 02-06-1103

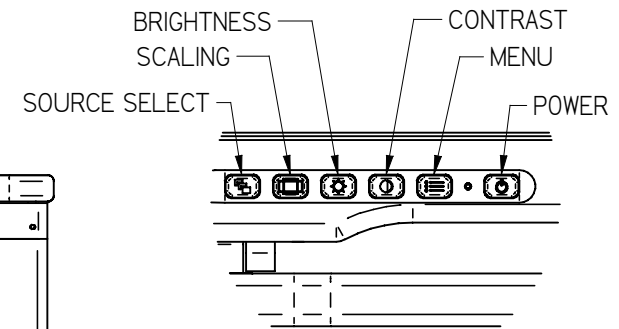
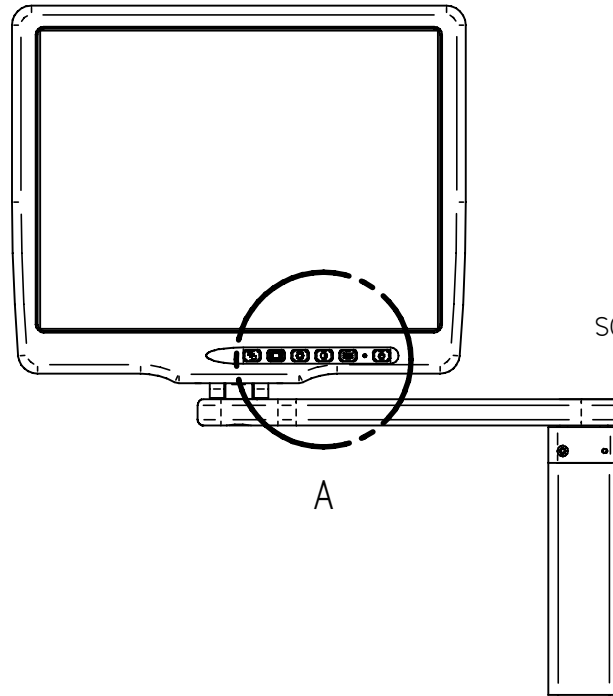
Pin #	Monitor signal
BNC signal	Video Signal
BNC shield	Video Return
Molex 1	DC Input
Molex 2	DC Return
Molex 3	Reserved

Base Receptacle Orientation



LEFT HAND INSTALLATION
RELEASE BUTTON ON OTHER
SIDE OF BASE FROM PASSENGER

RIGHT HAND INSTALLATION
RELEASE BUTTON ON
PASSENGER SIDE OF BASE



DETAIL A

THE INFORMATION CONTAINED HEREIN IS PROPRIETARY TO ROSEN AVIATION, LLC. IT SHALL NOT BE REPRODUCED OR DISCLOSED IN WHOLE OR IN PART OR USED FOR ANY DESIGN OR MANUFACTURE EXCEPT WHEN SUCH USER POSSESSES DIRECT, WRITTEN AUTHORIZATION FROM ROSEN AVIATION, LLC. THIS DRAWING MAY BE COVERED UNDER ONE OR MORE U.S. OR INTERNATIONAL PATENTS. PLEASE CONTACT ROSEN AVIATION FOR SPECIFIC INFORMATION.

ROSEN AVIATION	1020 OWEN LOOP SOUTH EUGENE, OREGON 97402 TEL: (541) 342-3802 FAX: (541) 342-4912	SIZE DWG NO A 1043-220-CD	REV B
	SCALE NONE SHEET 2 OF 2		