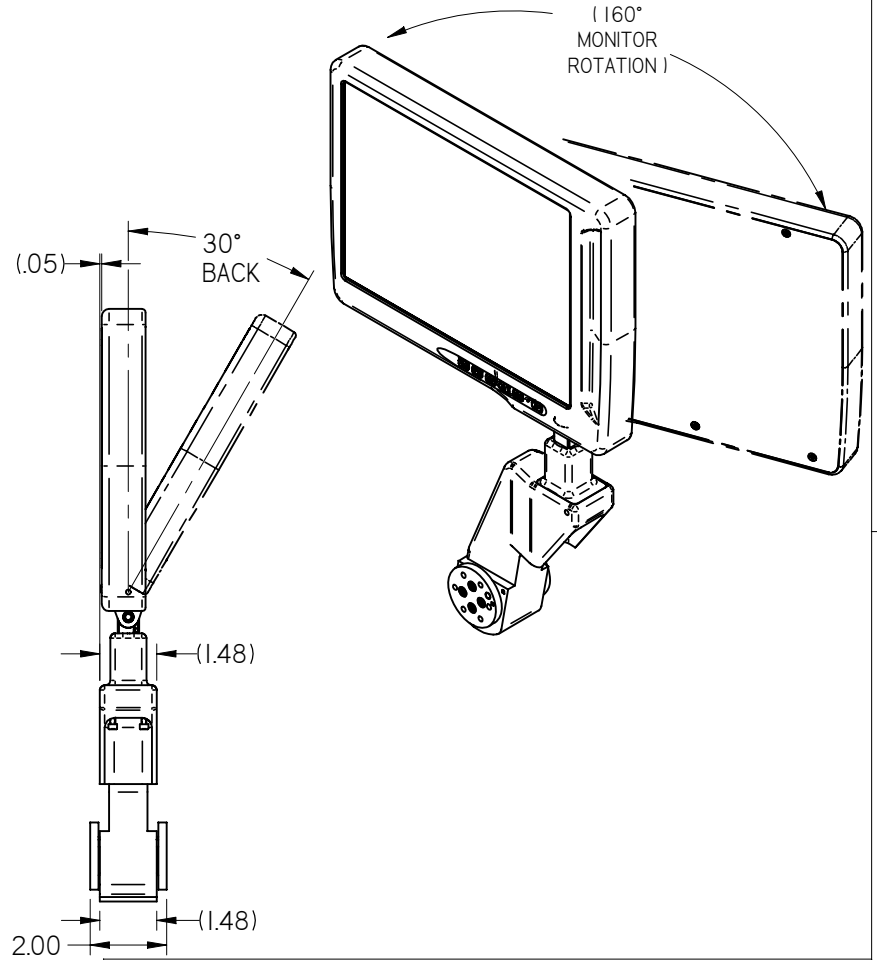
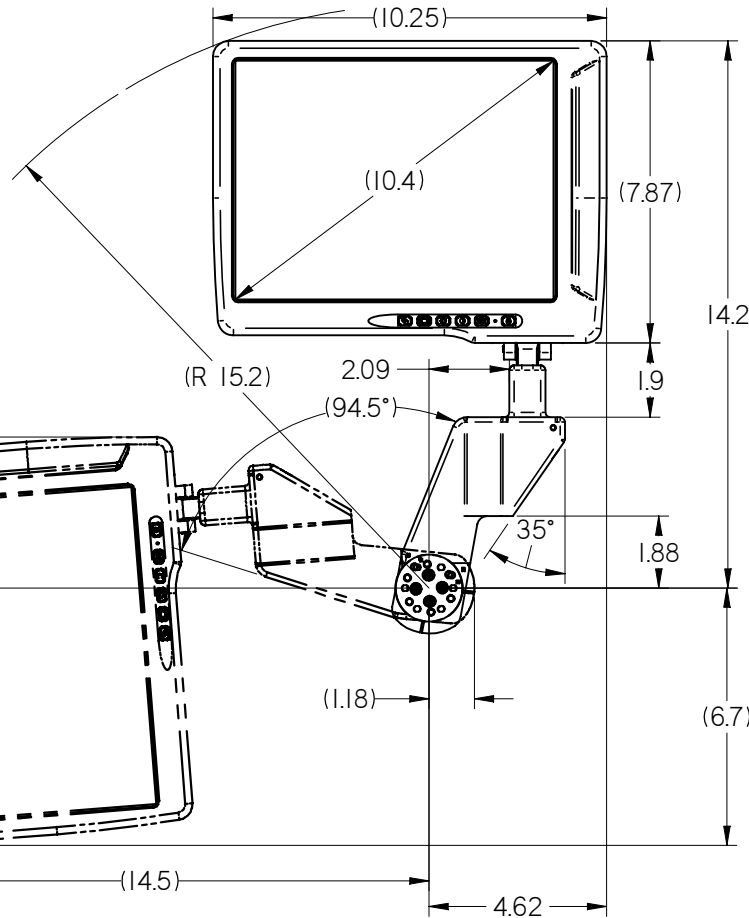
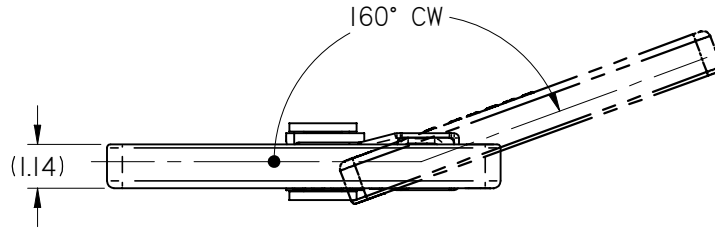


NOTES: (unless otherwise specified)

- 1. COMPONENT WEIGHT: 5.0 LBS ± 10%
- 2. HARNESS LENGTH 12.0" ± 2.0"
- 3. WIRE HARNESES, LABELS, SHIPPING PACKAGING AND SOME MINOR PARTS OMITTED FROM DRAWING VIEW FOR CLARITY

ELECTRONIC REVISION CONTROLLED

REVISIONS						
ZONE	REV	DESCRIPTION	DATE	BY	CHG NO	APRV
	A	INITIAL DRAWING RELEASE	01/26/10	GJH	EC10010	
pg2	B	CHG CURRENT DRAW & POWER SPEC	06/22/10	DE	EC10321	GJH
pg2	C	CORRECT NUMBER OF PINS, CHG TO SDI VIDEO	07/19/10	DE	EC10357	GJH



THE INFORMATION CONTAINED HEREIN IS PROPRIETARY TO ROSEN AVIATION, LLC. IT SHALL NOT BE REPRODUCED OR DISCLOSED IN WHOLE OR IN PART OR USED FOR ANY DESIGN OR MANUFACTURE EXCEPT WHEN SUCH USER POSSESSES DIRECT, WRITTEN AUTHORIZATION FROM ROSEN AVIATION. THIS DRAWING MAY BE COVERED UNDER ONE OR MORE U.S. OR INTERNATIONAL PATENTS. PLEASE CONTACT ROSEN AVIATION FOR SPECIFIC INFORMATION.

ROSEN AVIATION 1020 OWEN LOOP SOUTH
EUGENE, OREGON 97402
TEL: (541) 342-3802 FAX: (541) 342-4912

APPROVALS	INITIAL	DATE
DRAWN BY	GJH	10/15/09
CHECKER	SC	01/25/10
ENGINEER	DRF	01/26/10

UNLESS OTHERWISE SPECIFIED DIMENSIONS ARE IN INCHES
 .X = ± .1
 .XX = ± .03
 ∅ = ± 5.0°
 RADI I = ± .020
 INTERPRET DIM AND TOL PER ASME Y14.5M - 1994

TITLE
OUTLINE & INSTALLATION DRAWING
10.4" MON., GOOSENECK, RIGHT, SDI

FIRST CALLED FOR: (FCF)

DWG NO		1043-223-CD	
SIZE		REV	
A		C	
SCALE	N.T.S.	SHEET	1 OF 2

Performance Specifications (reference)

LCD Performance	
Screen Resolution (pixels)	1024 x 768
Video Standards supported	SD-SDI; HD-SDI
Display Viewing Area (mm)	210 x 158
Vertical Viewing Angle (CR>10)	+88°(up), -88°(down)
Horizontal Viewing Angle (CR>10)	88°/88° (left/right)
Response Time	10 ms
Contrast Ratio	1200:1
Screen Brightness	400 nits

Power Requirements	
Nominal Voltage/Current	28 VDC / 0.55 A
Inrush Current	30A / 220µsec
Op Voltage Range	18-32 VDC
Maximum Current Draw	0.85A @ 18 VDC
Power Consumption	15.4 W

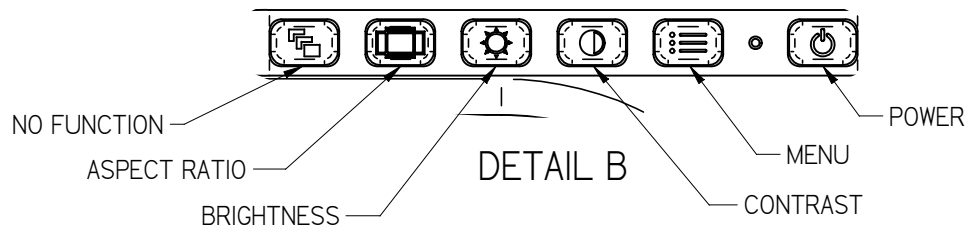
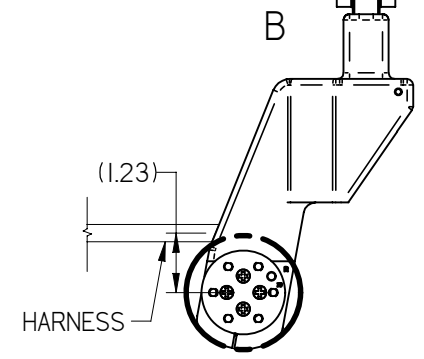
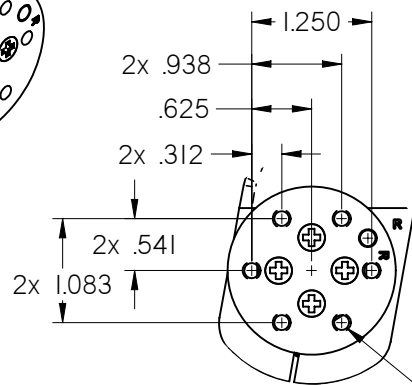
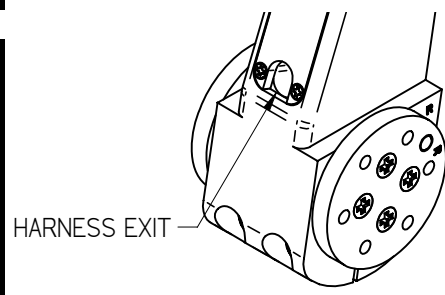
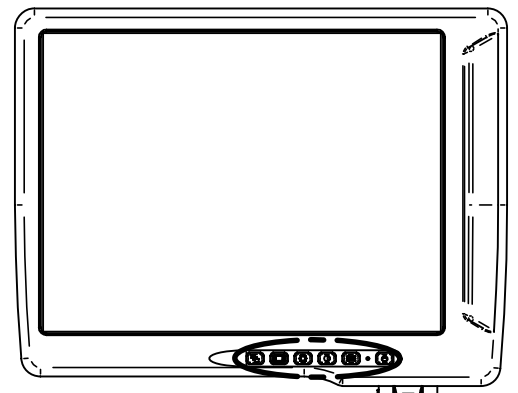
Environmental Specifications	
Operating Temperature	0°C to 50°C
Altitude	15,000ft
Humidity	95%RH
Vibration	1.48 grms
Power Input	DO-160 Cat ZB
RF Susceptibility	DO-160 Cat T
Emission of RF Energy	DO-160 Cat B

11W1 Pinout

Connector: 11W1 Male Combo D-Sub
Positronic CBC11W1M00000

Mate: 11W1 Female Combo D-Sub
Positronic CBC11W1F00000 (INCLUDED)

Pin #	Monitor signal
1	+28VDC IN
2	28VDC Return
3	Reserved
4	Reserved
5	Chassis Ground
6	Reserved
7	Reserved
8	Reserved
9	Reserved
10	Reserved
A1	SDI Video



DETAIL A
MOUNTING INTERFACE
BOTH SIDES

6X 10-32 UNF-2B
.20 MAX THREAD DEPTH
BOTH SIDES

THE INFORMATION CONTAINED HEREIN IS PROPRIETARY TO ROSEN AVIATION, LLC. IT SHALL NOT BE REPRODUCED OR DISCLOSED IN WHOLE OR IN PART OR USED FOR ANY DESIGN OR MANUFACTURE EXCEPT WHEN SUCH USER POSSESSES DIRECT, WRITTEN AUTHORIZATION FROM ROSEN AVIATION, LLC. THIS DRAWING MAY BE COVERED UNDER ONE OR MORE U.S. OR INTERNATIONAL PATENTS. PLEASE CONTACT ROSEN AVIATION FOR SPECIFIC INFORMATION.

ROSEN AVIATION	1020 OWEN LOOP SOUTH EUGENE, OREGON 97402 TEL: (541) 342-3802 FAX: (541) 342-4912	SIZE A	DWG NO 1043-223-CD	REV C
	SCALE NONE	SHEET 2 OF 2		