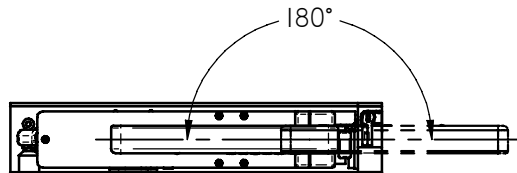


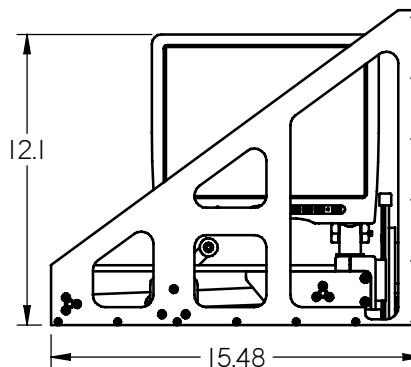
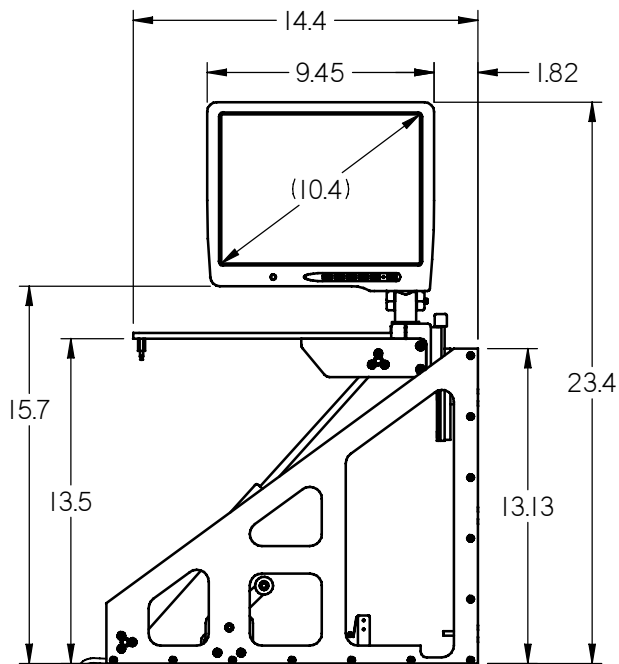
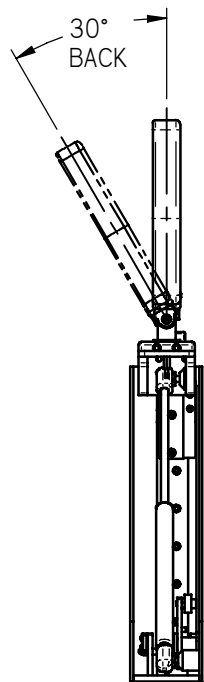
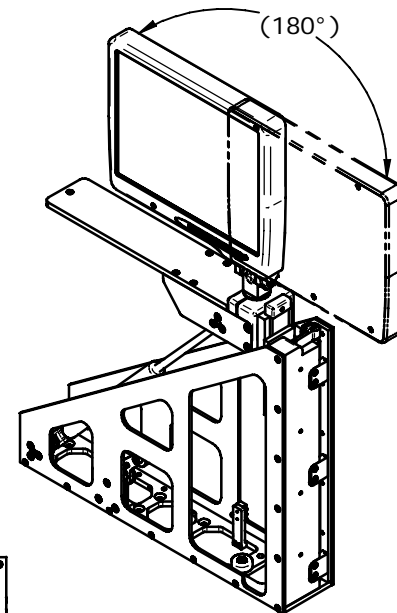
NOTES: (unless otherwise specified)

1. ASSEMBLY WEIGHT: 12.1 LBS. ±5%
2. HARNESS LENGTH: 12.0" MIN
3. OBSERVE ESD SAFE HANDLING PRACTICES
4. DO NOT PLUG OR UNPLUG MONITOR WHEN POWER IS APPLIED
5. SOME MINOR PARTS, LABELS, HARNESES AND INSTRUCTIONS OMITTED FOR CLARITY

REVISIONS						
ZONE	REV	DESCRIPTION	DATE	BY	CHG NO	APRV
	A	INITIAL DRAWING RELEASE	06/09/08	GJH	EC08230	
A1	B	CORRECT NOTES 1 & 2	07/09/08	GJH	EC08271	SC
pg2	C	CHG MOUNTING HOLE QTY FROM 10	07/31/08	GJH	EC08265	SC
pg2	D	CHG PIN 1 CALLOUT FROM CHASSIS GND	08/18/08	GJH	EC08302	SC



**ELECTRONIC
REVISION
CONTROLLED**



STOWED

DEPLOYED



THE INFORMATION CONTAINED HEREIN IS PROPRIETARY TO ROSEN AVIATION, LLC. IT SHALL NOT BE REPRODUCED OR DISCLOSED IN WHOLE OR IN PART OR USED FOR ANY DESIGN OR MANUFACTURE EXCEPT WHEN SUCH USER POSSESSES DIRECT, WRITTEN AUTHORIZATION FROM ROSEN AVIATION. THIS DRAWING MAY BE COVERED UNDER ONE OR MORE U.S. OR INTERNATIONAL PATENTS. PLEASE CONTACT ROSEN AVIATION FOR SPECIFIC INFORMATION.

Rosen AVIATION	1020 OWEN LOOP SOUTH EUGENE, OREGON 97402 TEL: (541) 342-3802 FAX: (541) 342-4912		APPROVALS	INITIAL	DATE
			DRAWN BY	GJH	01/08/08
			CHECKER	GJH	05/28/08
			ENGINEER	SC	06/02/08
TITLE OUTLINE & INSTALLATION DRAWING MONITOR, 10.4", MANUAL LIFT			DWG NO 1043-229-CD		
FIRST CALLED FOR: (FCF) 1043			SIZE		REV
			A		D
			SCALE	N.T.S.	SHEET 1 OF 2

UNLESS OTHERWISE SPECIFIED DIMENSIONS ARE IN INCHES
 .X = ± .1
 .XX = ± .03
 Z = ± 5°
 INTERPRET DIM AND TOL PER ASME Y14.5M - 1994

Performance Specifications (reference)

LCD Performance

Screen Resolution (pixels)	1024 x 768
Video Standards supported	NTSC, PAL, SECAM
Display Viewing Area (mm)	210 x 158
Vertical Viewing Angle (CR>10)	+88°(up), -88°(down)
Horizontal Viewing Angle (CR>10)	88°/88° (left/right)
Response Time	25 ms
Contrast Ratio	1200:1
Screen Brightness	400 nits

Power Requirements

Nominal Power	15W (max)
Nominal Voltage	28VDC

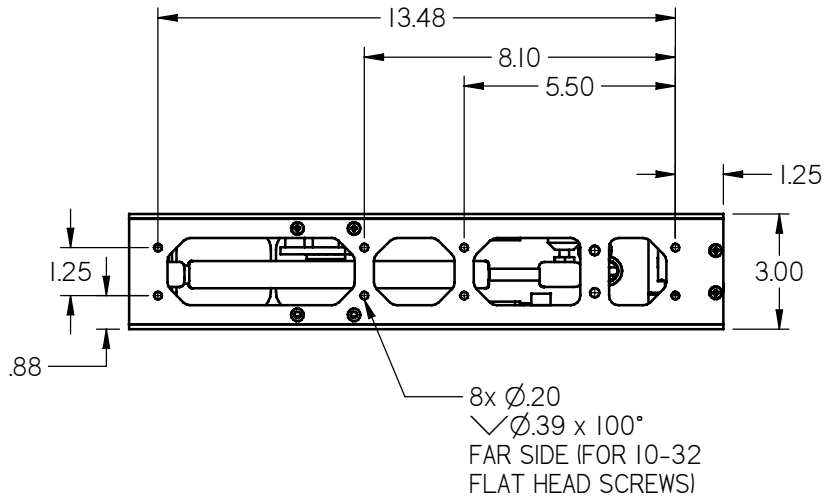
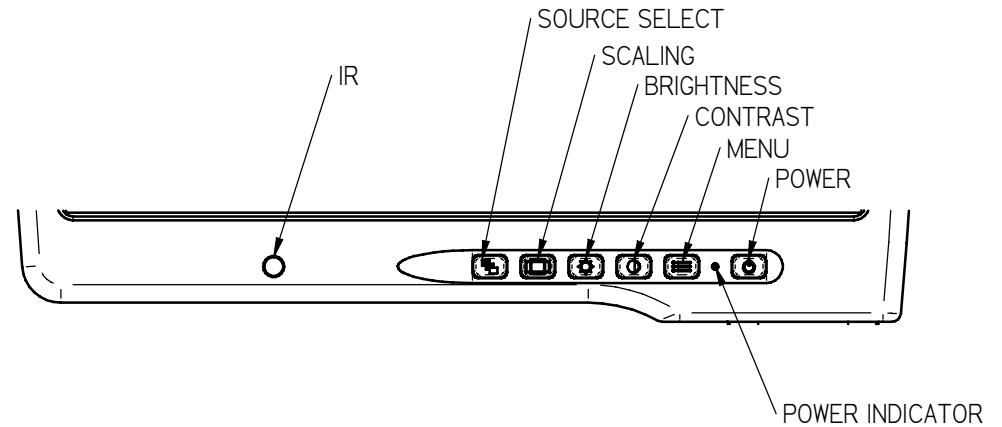
Environmental Specifications

Operating Temperature	0°C to 50°C
Altitude	15,000ft
Humidity	95%RH
Vibration	1.48 grms
Power Input	DO-160 CAT ZB
RF Susceptibility	DO-160 CAT TT
Emission of RF Energy	DO-160 CAT B

Connector Pinout

Connector: 9 Pin Male D-Sub
 Mate: 9 Pin Female D-Sub (Included)

Pin #	Monitor signal
1	Reserved
2	28 VDC Input
3	DC Return
4	Reserved
5	Reserved
6	Reserved
7	Video Signal Input
8	Video Ground
9	Reserved



THE INFORMATION CONTAINED HEREIN IS PROPRIETARY TO ROSEN AVIATION, LLC. IT SHALL NOT BE REPRODUCED OR DISCLOSED IN WHOLE OR IN PART OR USED FOR ANY DESIGN OR MANUFACTURE EXCEPT WHEN SUCH USER POSSESSES DIRECT, WRITTEN AUTHORIZATION FROM ROSEN AVIATION, LLC. THIS DRAWING MAY BE COVERED UNDER ONE OR MORE U.S. OR INTERNATIONAL PATENTS. PLEASE CONTACT ROSEN AVIATION FOR SPECIFIC INFORMATION.

ROSEN AVIATION	1020 OWEN LOOP SOUTH EUGENE, OREGON 97402 TEL: (541) 342-3802 FAX: (541) 342-4912	SIZE A DWG NO 1043-229-CD	REV D
	SCALE NONE SHEET 2 OF 2		