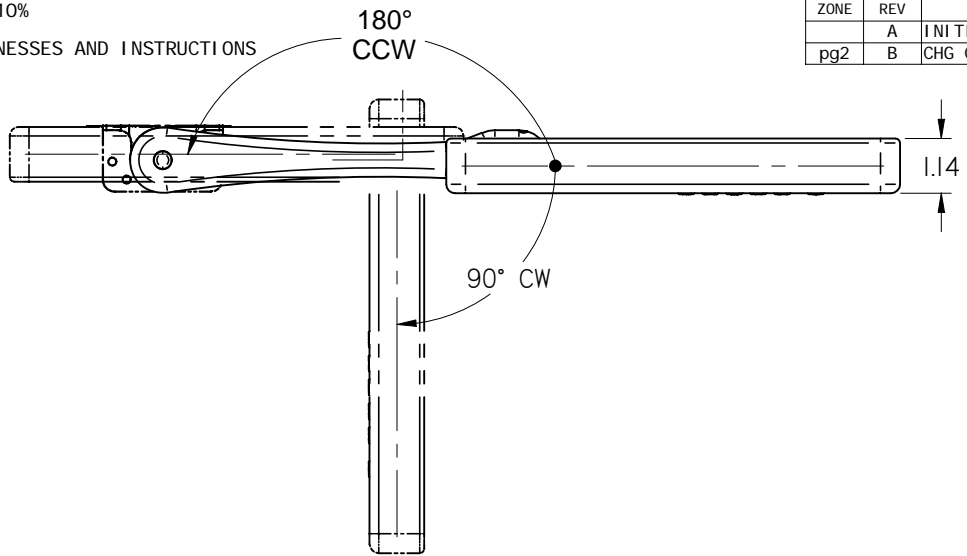


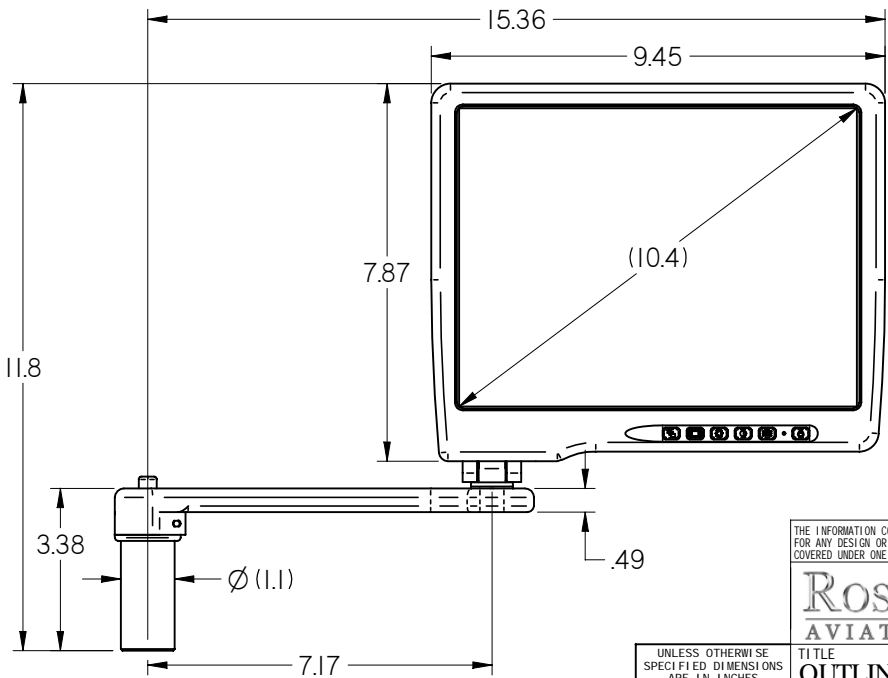
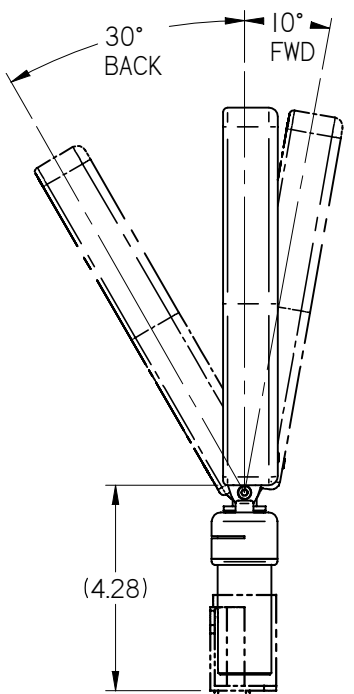
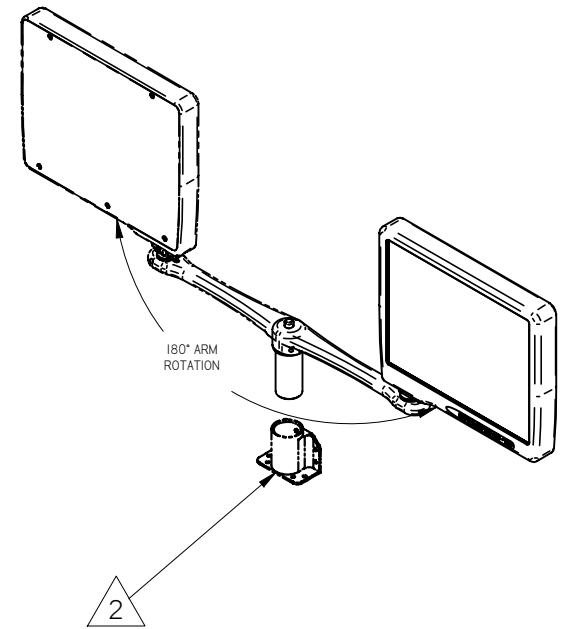
NOTES: (unless otherwise specified)

1. ASSEMBLY WEIGHT: 3.66 LBS. ± 10%
2. BASE SOLD SEPARATELY
3. SOME MINOR PARTS, LABELS, HARNESSES AND INSTRUCTIONS OMITTED FOR CLARITY

REVISIONS						
ZONE	REV	DESCRIPTION	DATE	BY	CHG NO	APRV
	A	INITIAL DRAWING RELEASE	04/02/10	DE	EC10111	
pg2	B	CHG CURRENT DRAW & POWER SPEC	06/22/10	DE	EC10321	GJH



**ELECTRONIC REVISION CONTROLLED**



THE INFORMATION CONTAINED HEREIN IS PROPRIETARY TO ROSEN AVIATION, LLC. IT SHALL NOT BE REPRODUCED OR DISCLOSED IN WHOLE OR IN PART OR USED FOR ANY DESIGN OR MANUFACTURE EXCEPT WHEN SUCH USER POSSESSES DIRECT, WRITTEN AUTHORIZATION FROM ROSEN AVIATION. THIS DRAWING MAY BE COVERED UNDER ONE OR MORE U.S. OR INTERNATIONAL PATENTS. PLEASE CONTACT ROSEN AVIATION FOR SPECIFIC INFORMATION.

**ROSEN AVIATION** TEL: (541) 342-3802 FAX: (541) 342-4912  
 1020 OWEN LOOP SOUTH  
 EUGENE, OREGON 97402

APPROVALS	INITIAL	DATE
DRAWN BY	GJH	02/26/10
CHECKER	MCS	03/22/10
ENGINEER	GJH	03/30/10

UNLESS OTHERWISE SPECIFIED DIMENSIONS ARE IN INCHES  
 .X = ± .1  
 .XX = ± .03  
 R = ± 5.0°  
 RADI = ± .020  
 INTERPRET DIM AND TOL PER ASME Y14.5M - 1994

TITLE  
**OUTLINE & INSTALLATION DRAWING,  
 10.4" MONITOR, LEFT,  
 SDI, w/SLA ARM**  
 FIRST CALLED FOR: (FCF)  
**1043**

DWG NO 1043-260-CD	
SIZE A	REV B
SCALE 1:4	SHEET 1 OF 2

REFER TO [www.rosenaviation.com](http://www.rosenaviation.com) FOR THE LATEST REVISION INFORMATION.

**Performance Specifications (reference)**

LCD Performance	
Screen Resolution (pixels)	1024 x 768
Video Standards supported	SD-SDI; HD-SDI
Display Viewing Area (mm)	210 x 158
Vertical Viewing Angle (CR>10)	+88°(up), -88°(down)
Horizontal Viewing Angle (CR>10)	88°/88° (left/right)
Response Time	10 ms
Contrast Ratio (Typical)	1200:1
Screen Brightness (Typical)	400 nits

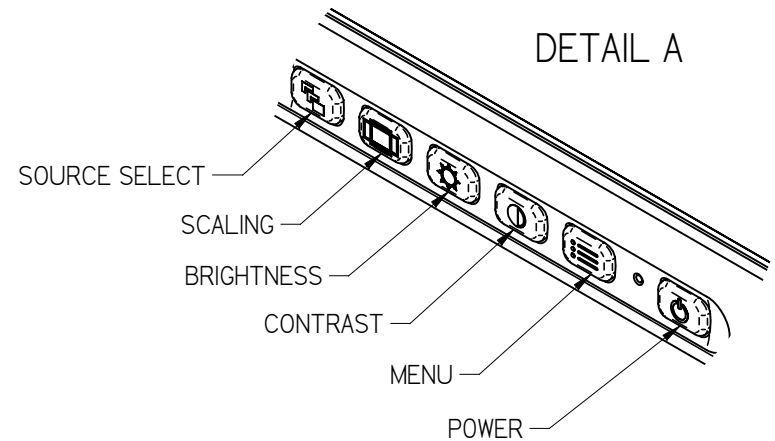
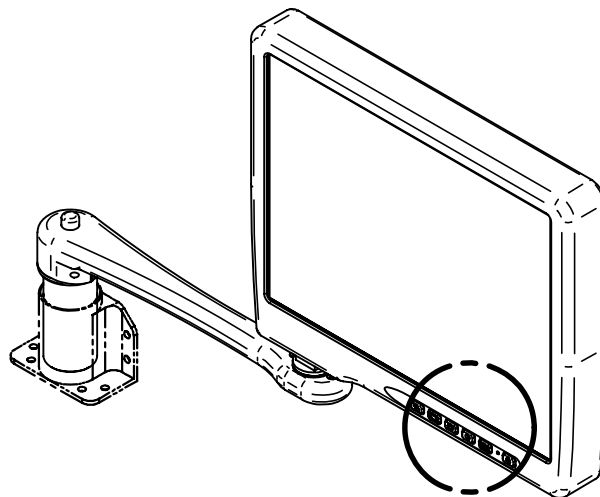
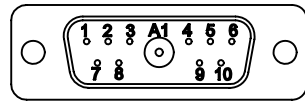
Power Requirements	
Nominal Voltage/Current	28 VDC / 0.55 A
Inrush Current	30A / 220µsec
Op Voltage Range	18-32 VDC
Maximum Current Draw	0.85A @ 18 VDC
Power Consumption	15.4 W

Environmental Specifications	
Operating Temperature	0°C to 50°C
Altitude	15,000ft
Humidity	95%RH
Vibration	1.48 grms
Power Input	DO-160 Cat ZB
RF Susceptibility	DO-160 Cat T
Emission of RF Energy	DO-160 Cat B

**Base Receptacle Pinout - 11W1**

Slimline Base Receptacle Model 0100-202	
Connector: 11W1 Combo Male D-Sub (Positronic CBC11W1M00000)	
Mate: 11W1 Female Combo D-Sub (Positronic CBC11W1F00000)	

Pin #	Monitor signal
1	+28V DC
2	DC Return
3	Reserved
4	Reserved
5	Chassis Ground
6	Reserved
7	Reserved
8	Reserved
9	Reserved
10	Reserved
A1	SDI Video



THE INFORMATION CONTAINED HEREIN IS PROPRIETARY TO ROSEN AVIATION, LLC. IT SHALL NOT BE REPRODUCED OR DISCLOSED IN WHOLE OR IN PART OR USED FOR ANY DESIGN OR MANUFACTURE EXCEPT WHEN SUCH USER POSSESSES DIRECT, WRITTEN AUTHORIZATION FROM ROSEN AVIATION, LLC. THIS DRAWING MAY BE COVERED UNDER ONE OR MORE U.S. OR INTERNATIONAL PATENTS. PLEASE CONTACT ROSEN AVIATION FOR SPECIFIC INFORMATION.

<b>ROSEN AVIATION</b>	1020 OWEN LOOP SOUTH EUGENE, OREGON 97402 TEL: (541) 342-3802 FAX: (541) 342-4912	SIZE DWG NO <b>A</b> 1043-260-CD	REV <b>B</b>
	SCALE NONE	SHEET 2 OF 2	