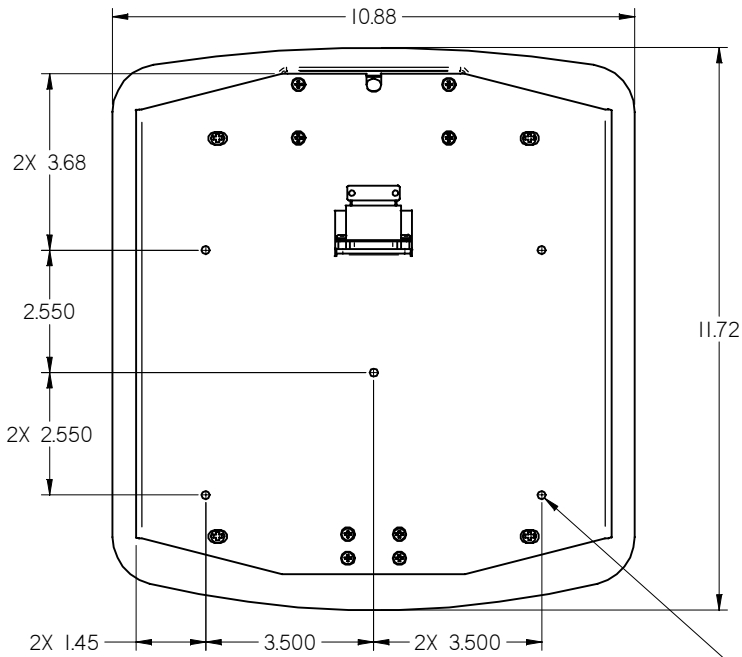


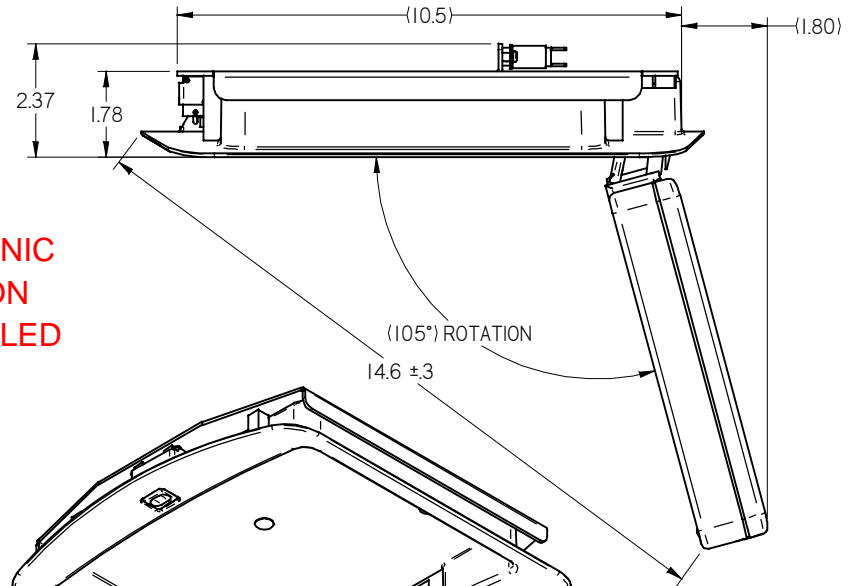
NOTES: (unless otherwise specified)

1. ASSEMBLY WEIGHT: 5.0 LBS. ±5%
2. DO NOT PLUG OR UNPLUG MONITOR WHEN POWER IS APPLIED

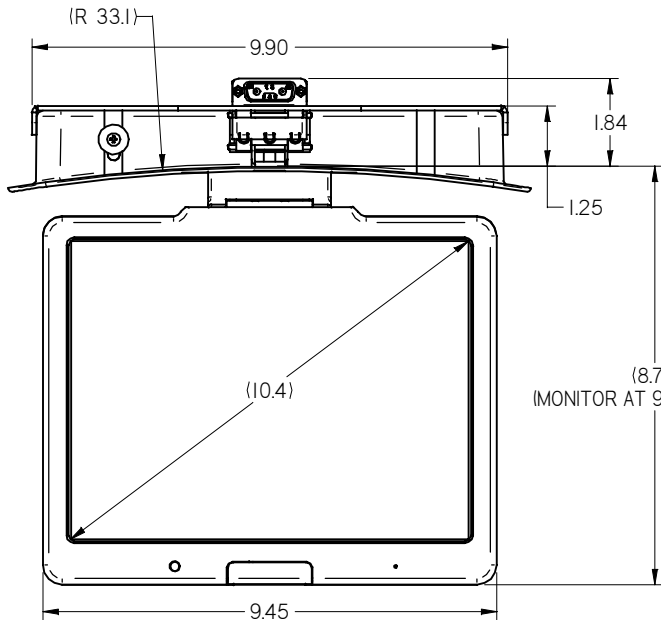
REVISIONS					
ZONE	REV	DESCRIPTION	DATE	BY	CHG NO
	A	INITIAL DRAWING RELEASE	09/05/08	GJH	EC08348
A1	B	MOUNTING HOLE DIMS TO 3 PLACES	10/22/08	GJH	EC08451



**ELECTRONIC
REVISION
CONTROLLED**



5X Ø .17 THRU
MOUNTING BOLT HEAD HEIGHT .090 MAX



REFER TO www.rosenaviation.com FOR THE LATEST REVISION INFORMATION.

THE INFORMATION CONTAINED HEREIN IS PROPRIETARY TO ROSEN AVIATION, LLC. IT SHALL NOT BE REPRODUCED OR DISCLOSED IN WHOLE OR IN PART OR USED FOR ANY DESIGN OR MANUFACTURE EXCEPT WHEN SUCH USER POSSESSES DIRECT, WRITTEN AUTHORIZATION FROM ROSEN AVIATION. THIS DRAWING MAY BE COVERED UNDER ONE OR MORE U.S. OR INTERNATIONAL PATENTS. PLEASE CONTACT ROSEN AVIATION FOR SPECIFIC INFORMATION.

ROSEN AVIATION		1020 OWEN LOOP SOUTH EUGENE, OREGON 97402 TEL: (541) 342-3802 FAX: (541) 342-4912		APPROVALS	INITIAL	DATE
				DRAWN BY	GJH	4/1/08
				CHECKER	DRF	08/21/08
				ENGINEER	SC	09/03/08
TITLE OUTLINE & INSTALLATION DRAWING, 10.4" FOLD DOWN, POLAR				DWG NO 1043-301-CD		
FIRST CALLED FOR: (FCF)				SIZE A	REV B	
				SCALE 1:4	SHEET 1	OF 2

UNLESS OTHERWISE SPECIFIED DIMENSIONS ARE IN INCHES
.X = ± .100
.XX = ± .030
.XXX = ± .015
$\pm 7.0^\circ$
RADII ± .020
INTERPRET DIM AND TOL PER ASME Y14.5M - 1994

Performance Specifications (reference)

LCD Performance	
Screen Resolution (pixels)	1024 x 768
Video Standards supported	NTSC, PAL, SECAM
Display Viewing Area (mm)	210 x 158
Vertical Viewing Angle (CR>10)	88°/88° (Up/Down)
Horizontal Viewing Angle (CR>10)	88°/88° (Left/Right)
Response Time	25 ms
Contrast Ratio	1200:1
Screen Brightness	400 nits

Power Requirements

Nominal Voltage/Current	28Vdc / 0.4A
Inrush Current	30A / 220uS
Op Voltage Range	18-32V dc
Maximum Current Draw	0.625A @ 18Vdc
Power Consumption	11.2W

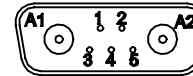
Environmental Specifications

Operating Temperature	0°C to 50°C
Altitude	15,000ft
Humidity	95%RH
Vibration	1.48 grms
Power Input	DO-160 Cat ZB
RF Susceptibility	DO-160 Cat TT
Emission of RF Energy	DO-160 Cat B

Connector Pinout

Connector: 7W2 Male D-Sub
Mate: 7W2 Female D-Sub (Included)
Rosen Connector Kit: 0300-044

Pin #	Monitor signal
1	28VDC Input
2	28VDC Return
3	Select Switch
4	Select Switch Return
5	Reserved
A1	Composite Video
A2	Reserved



7W2 Male

THE INFORMATION CONTAINED HEREIN IS PROPRIETARY TO ROSEN AVIATION, LLC. IT SHALL NOT BE REPRODUCED OR DISCLOSED IN WHOLE OR IN PART OR USED FOR ANY DESIGN OR MANUFACTURE EXCEPT WHEN SUCH USER POSSESSES DIRECT, WRITTEN AUTHORIZATION FROM ROSEN AVIATION, LLC. THIS DRAWING MAY BE COVERED UNDER ONE OR MORE U.S. OR INTERNATIONAL PATENTS. PLEASE CONTACT ROSEN AVIATION FOR SPECIFIC INFORMATION.

	1020 OWEN LOOP SOUTH EUGENE, OREGON 97402 TEL: (541) 342-3802 FAX: (541) 342-4912	SIZE A	DWG NO 1043-301-CD	REV B
	SCALE NONE	SHEET 2 OF 2		