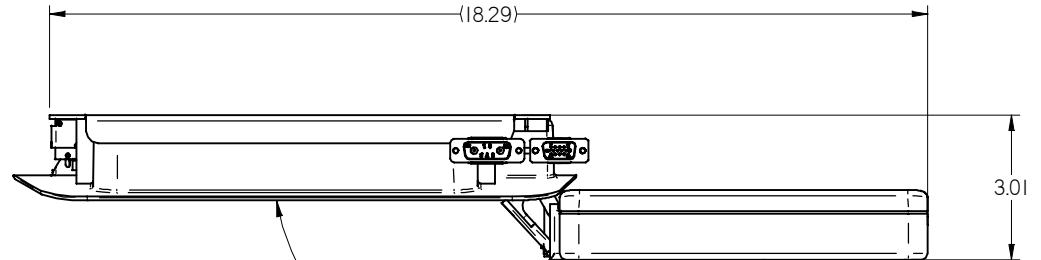
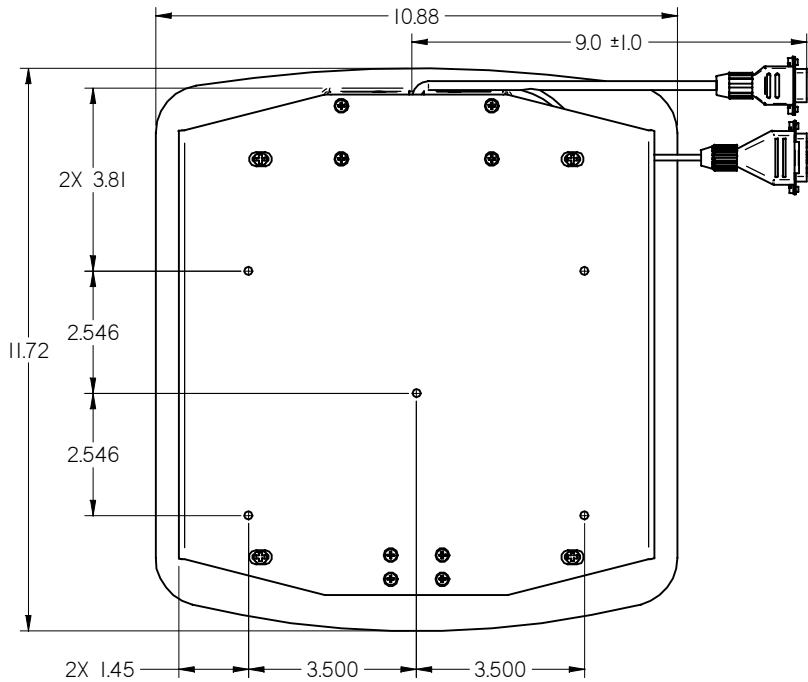
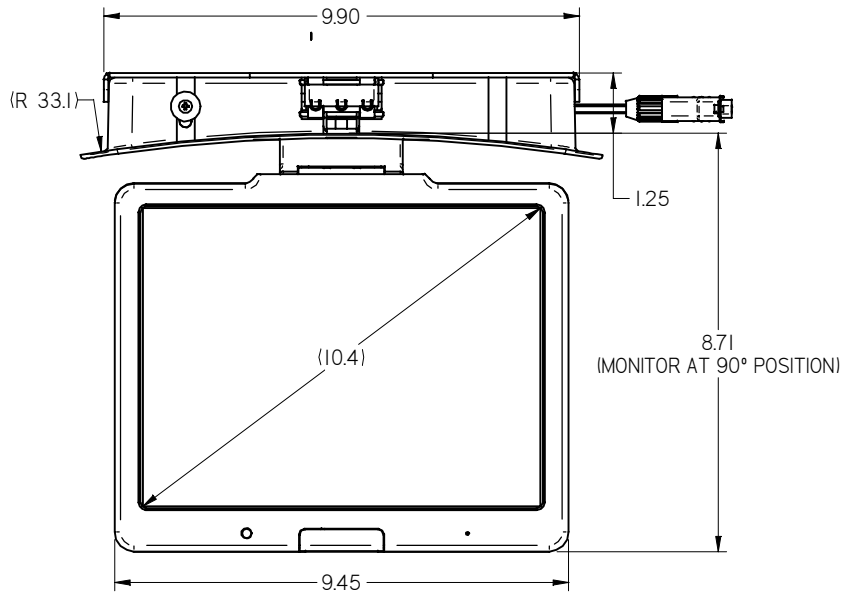


NOTES: (unless otherwise specified)

1. ASSEMBLY WEIGHT: 5.0 LBS. ±5%
2. DO NOT PLUG OR UNPLUG MONITOR WHEN POWER IS APPLIED



**ELECTRONIC  
REVISION  
CONTROLLED**



REFER TO [www.rosenaviation.com](http://www.rosenaviation.com) FOR THE LATEST REVISION INFORMATION.

REVISIONS						
ZONE	REV	DESCRIPTION	DATE	BY	CHG NO	APRV
	A	INITIAL DRAWING RELEASE	9/23/08	SC	EC08394	
	B	TOLERANCE BLOCK UPDATED	10/22/08	GJH	EC08451	SC

THE INFORMATION CONTAINED HEREIN IS PROPRIETARY TO ROSEN AVIATION, LLC. IT SHALL NOT BE REPRODUCED OR DISCLOSED IN WHOLE OR IN PART OR USED FOR ANY DESIGN OR MANUFACTURE EXCEPT WHEN SUCH USER POSSESSES DIRECT, WRITTEN AUTHORIZATION FROM ROSEN AVIATION. THIS DRAWING MAY BE COVERED UNDER ONE OR MORE U.S. OR INTERNATIONAL PATENTS. PLEASE CONTACT ROSEN AVIATION FOR SPECIFIC INFORMATION.

<b>ROSEN AVIATION</b> 1020 OWEN LOOP SOUTH EUGENE, OREGON 97402 TEL: (541) 342-3802 FAX: (541) 342-4912	APPROVALS	INITIAL	DATE
	DRAWN BY	SC	9/16/08
	CHECKER	GH	9/22/08
	ENGINEER	SC	9/22/08
TITLE <b>OUTLINE &amp; INSTALLATION DRAWING,          10.4" FOLD DOWN, RGB, POLAR</b>			
DWG NO 1043-305-CD			
FIRST CALLED FOR: (FCF)			
SIZE <b>A</b>		REV <b>B</b>	
SCALE 1:4	SHEET	1 OF 2	

UNLESS OTHERWISE SPECIFIED DIMENSIONS ARE IN INCHES
.X = ± .100
.XX = ± .030
.XXX = ± .015
$\angle$ = ± 7.0°
RADII ± .020
INTERPRET DIM AND TOL PER ASME Y14.5M - 1994

**Performance Specifications (reference)**

**LCD Performance**

Screen Resolution (pixels)	1024 x 768
Video Standards supported	NTSC, PAL, SECAM
Display Viewing Area (mm)	210 x 158
Vertical Viewing Angle (CR>10)	88°/88° (Up/Down)
Horizontal Viewing Angle (CR>10)	88°/88° (Left/Right)
Response Time	25 ms
Contrast Ratio	1200:1
Screen Brightness	400 nits

**Power Requirements**

Nominal Voltage/Current	28Vdc / 0.4A
Inrush Current	30A / 220uS
Op Voltage Range	18-32V dc
Maximum Current Draw	0.625A @ 18Vdc
Power Consumption	11.2W

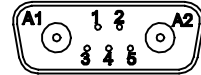
**Environmental Specifications**

Operating Temperature	0°C to 50°C
Altitude	15,000ft
Humidity	95%RH
Vibration	1.48 grms
Power Input	DO-160 Cat ZB
RF Susceptibility	DO-160 Cat TT
Emission of RF Energy	DO-160 Cat B

**Connector Pinout**

Connector: 7W2 Male D-Sub  
 Mate: 7W2 Female D-Sub (Included)  
 Rosen Connector Kit: 0300-044

Pin #	Monitor signal
1	28VDC Input
2	28VDC Return
3	Select Switch
4	Select Switch Return
5	Reserved
A1	Composite Video
A2	Reserved

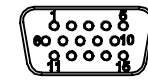


7W2 Male

**Connector Pinout**

Connector: 15-Pin HD Male D-Sub  
 Mate: 15-Pin HD Female D-Sub (Included)  
 Rosen Connector Kit: 0300-039

Pin #	Monitor signal
1	Red Signal
2	Green Signal
3	Blue Signal
4	NC
5	Gnd
6	Red return
7	Green return
8	Blue return
9	NC
10	NC
11	NC
12	NC
13	HSYNCH
14	VSYNC
15	NC



15-Pin HD Male

THE INFORMATION CONTAINED HEREIN IS PROPRIETARY TO ROSEN AVIATION, LLC. IT SHALL NOT BE REPRODUCED OR DISCLOSED IN WHOLE OR IN PART OR USED FOR ANY DESIGN OR MANUFACTURE EXCEPT WHEN SUCH USER POSSESSES DIRECT, WRITTEN AUTHORIZATION FROM ROSEN AVIATION, LLC. THIS DRAWING MAY BE COVERED UNDER ONE OR MORE U.S. OR INTERNATIONAL PATENTS. PLEASE CONTACT ROSEN AVIATION FOR SPECIFIC INFORMATION.

<b>ROSEN AVIATION</b>	1020 OWEN LOOP SOUTH EUGENE, OREGON 97402 TEL: (541) 342-3802 FAX: (541) 342-4912	SIZE A	DWG NO 1043-305-CD	REV B
	SCALE NONE	SHEET 2 OF 2		