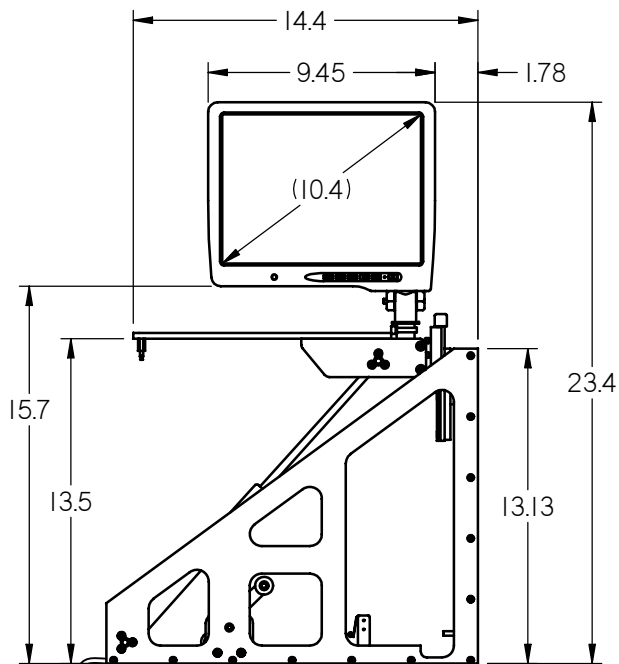
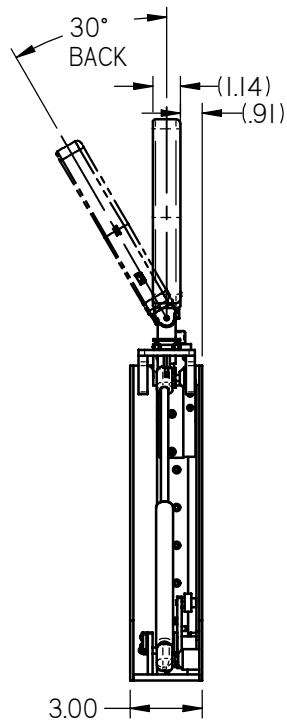
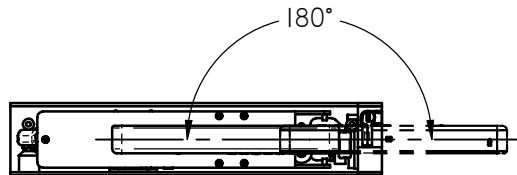


NOTES: (unless otherwise specified)

1. ASSEMBLY WEIGHT: 12.1 LBS.  $\pm$  10%
2. HARNESS LENGTH: 11.0"  $\pm$  2.0"
3. OBSERVE ESD SAFE HANDLING PRACTICES
4. DO NOT PLUG OR UNPLUG MONITOR WHEN POWER IS APPLIED
5. SOME MINOR PARTS, LABELS, HARNESES AND INSTRUCTIONS OMITTED FOR CLARITY

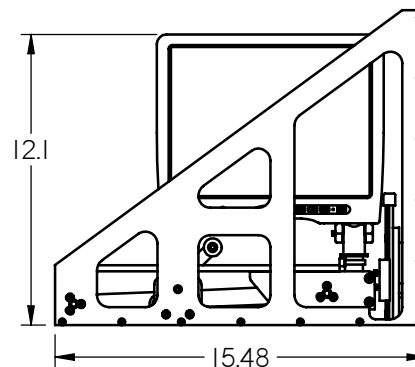
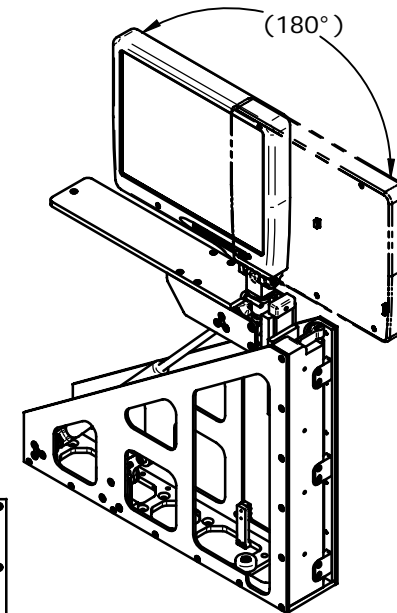
REVISIONS						
ZONE	REV	DESCRIPTION	DATE	BY	CHG NO	APRV
	A	INITIAL DRAWING RELEASE	04/02/10	DE	EC10111	
	B	CHG TOL ON NOTE 2	05/20/10	GJH	EC10269	DRF
pg2	C	CHG CURRENT DRAW & POWER SPEC	06/22/10	DE	EC10321	GJH



DEPLOYED



3.00



STOWED

THE INFORMATION CONTAINED HEREIN IS PROPRIETARY TO ROSEN AVIATION, LLC. IT SHALL NOT BE REPRODUCED OR DISCLOSED IN WHOLE OR IN PART OR USED FOR ANY DESIGN OR MANUFACTURE EXCEPT WHEN SUCH USER POSSESSES DIRECT, WRITTEN AUTHORIZATION FROM ROSEN AVIATION. THIS DRAWING MAY BE COVERED UNDER ONE OR MORE U.S. OR INTERNATIONAL PATENTS. PLEASE CONTACT ROSEN AVIATION FOR SPECIFIC INFORMATION.

<b>ROSEN AVIATION</b> 1020 OWEN LOOP SOUTH EUGENE, OREGON 97402 TEL: (541) 342-3802 FAX: (541) 342-4912	APPROVALS	INITIAL	DATE
	DRAWN BY	GJH	02/26/10
	CHECKER	MCS	03/18/10
	ENGINEER	GJH	03/30/10
TITLE <b>OUTLINE &amp; INSTALLATION DRAWING,          MONITOR, 10.4",          MANUAL LIFT, SDI</b>			
FIRST CALLED FOR: (FCF) <b>1043</b>			
DWG NO		1043-329-CD	
SIZE	A	REV	C
SCALE	N.T.S.	SHEET	1 OF 2

UNLESS OTHERWISE SPECIFIED DIMENSIONS ARE IN INCHES
.X = $\pm$ .1
.XX = $\pm$ .03
$\varnothing$ = $\pm$ 5.0°
RADI I = $\pm$ .020
INTERPRET DIM AND TOL PER ASME Y14.5M - 1994

REFER TO [www.rosenaviation.com](http://www.rosenaviation.com) FOR THE LATEST REVISION INFORMATION.

**Performance Specifications (reference)**

LCD Performance	
Screen Resolution (pixels)	1024 x 768
Video Standards supported	SD-SDI; HD-SDI
Display Viewing Area (mm)	210 x 158
Vertical Viewing Angle (CR>10)	+88°(up), -88°(down)
Horizontal Viewing Angle (CR>10)	88°/88° (left/right)
Response Time	10 ms
Contrast Ratio (Typical)	1200:1
Screen Brightness (Typical)	400 nits

Power Requirements	
Nominal Voltage/Current	28 VDC / 0.55 A
Inrush Current	30A / 220µsec
Op Voltage Range	18-32 VDC
Maximum Current Draw	0.85A @ 18 VDC
Power Consumption	15.4 W

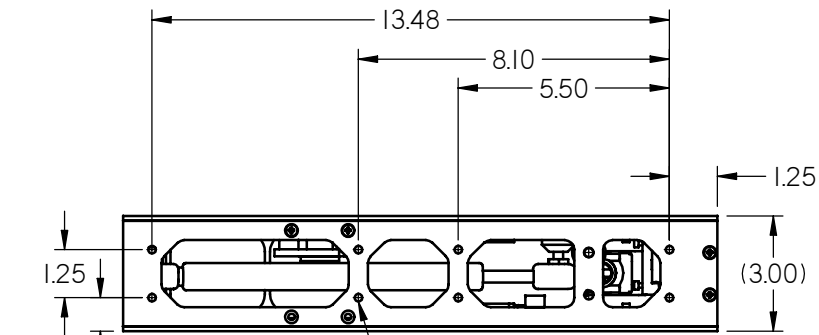
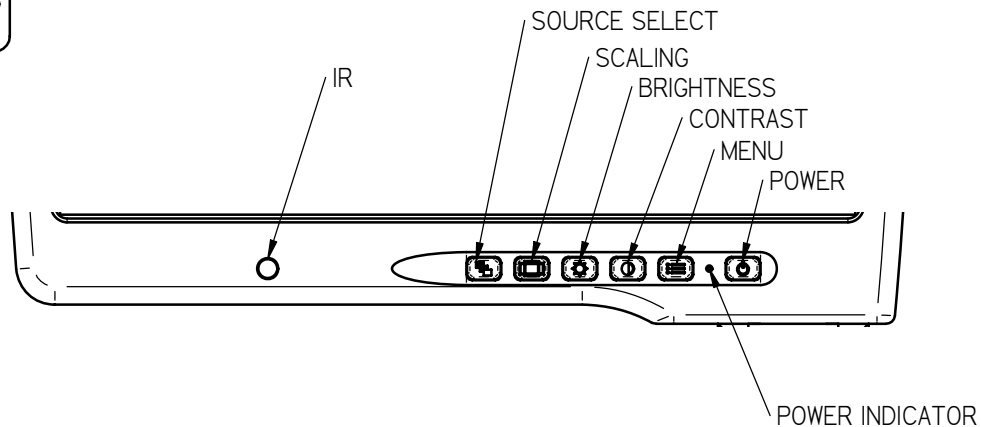
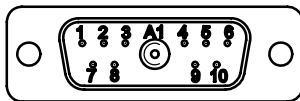
Environmental Specifications	
Operating Temperature	0°C to 50°C
Altitude	15,000ft
Humidity	95%RH
Vibration	1.48 grms
Power Input	DO-160 Cat ZB
RF Susceptibility	DO-160 Cat T
Emission of RF Energy	DO-160 Cat B

**Connector Pinout - 11W1**

Connector: 11W1 Combo Male D-Sub  
(Positronic CBC11W1M00000)

Mate: 11W1 Female Combo D-Sub  
(Positronic CBC11W1F00000)

Pin #	Monitor signal
1	+28V DC
2	DC Return
3	Reserved
4	Reserved
5	Reserved
6	Reserved
7	Reserved
8	Reserved
9	Reserved
10	Reserved
A1	SDI Video



.88

8x Ø.20  
∠Ø.39 x 100°  
MOUNTING HOLES  
FAR SIDE (FOR 10-32  
FLAT HEAD SCREWS)

THE INFORMATION CONTAINED HEREIN IS PROPRIETARY TO ROSEN AVIATION, LLC. IT SHALL NOT BE REPRODUCED OR DISCLOSED IN WHOLE OR IN PART OR USED FOR ANY DESIGN OR MANUFACTURE EXCEPT WHEN SUCH USER POSSESSES DIRECT, WRITTEN AUTHORIZATION FROM ROSEN AVIATION, LLC. THIS DRAWING MAY BE COVERED UNDER ONE OR MORE U.S. OR INTERNATIONAL PATENTS. PLEASE CONTACT ROSEN AVIATION FOR SPECIFIC INFORMATION.

ROSEN AVIATION	1020 OWEN LOOP SOUTH EUGENE, OREGON 97402 TEL: (541) 342-3802 FAX: (541) 342-4912	SIZE DWG NO A 1043-329-CD	REV C
	SCALE NONE SHEET 2 OF 2		