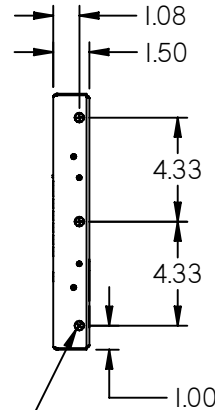
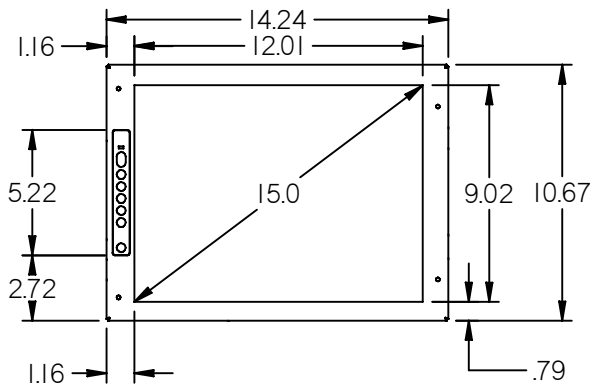
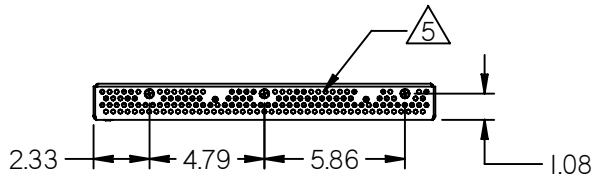


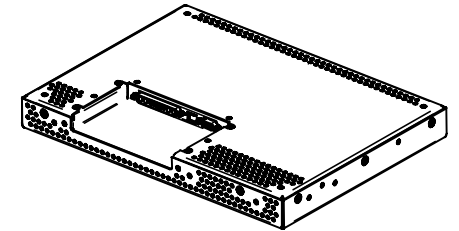
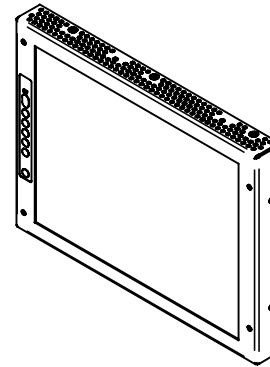
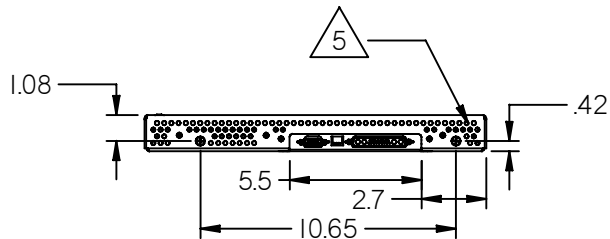
NOTES: (unless otherwise specified)

1. MATERIALS: SEE SEPARATE BOM
2. ASSEMBLY WEIGHT: 6.06 LBS. ±5%
3. SOME MINOR PARTS, LABELS, HARNESSSES AND INSTRUCTIONS OMITTED FOR CLARITY.
5. OBSERVE ESD SAFE HANDLING PRACTICES.
6. FREE AIR VENTILATION REQUIRED, LEAVE TOP SURFACE VENTS AND EITHER BOTTOM OR BACK SURFACE VENTS UNBLOCKED.
7. MONITOR MUST BE MOUNTED USING ALL MOUNTING HOLES ON REAR SURFACE OR ANY COMBINATION OF TOW SIDES.
8. REMOVE #10-32 FLAT HEAD SCREWS AS NEEDED TO ACCESS MOUNTING HOLES.
9. MAX SCREW INSERTION: .38"
9. CARE MUST BE TAKEN TO KEEP DEBRIS FROM ENTERING VENT HOLES DURING INSTALLATION AND OPERATION.

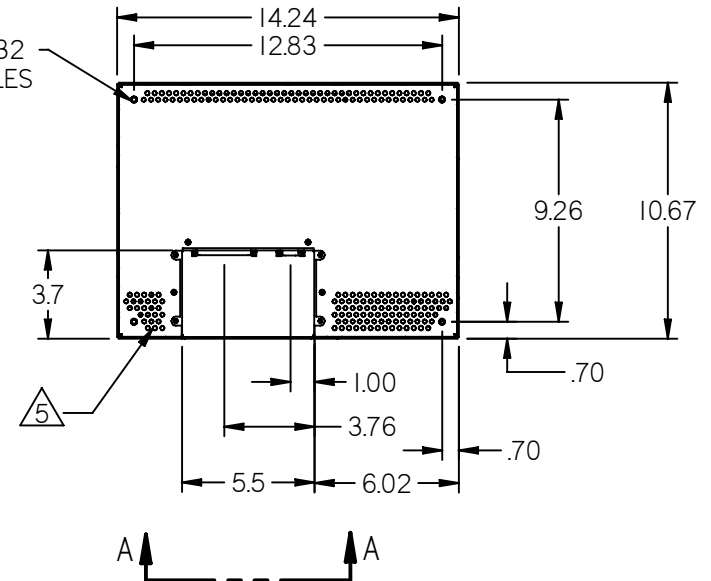
REVISIONS						
ZONE	REV	DESCRIPTION	DATE	BY	CO NO	APRV
-	B	CHANGED LCD TO ANTI-GLARE	10/11/02	JAW	02476	DK
-	C	CORRECT BOM TO MATCH DRAWING	02/10/03	JEA	03024C	JAW
-	D	CHANGED DRAWING # TO MODEL #	04/07/03	SDS	03043	JAW
B1	F	CORRECT 1.10 DIM TO 1.08, UPDATE DWG STD'S	06/27/05	GJH	05245	SC



6 7 11X 10-32 MOUNTING HOLES



6 4X 10-32 MOUNTING HOLES



FOR REFERENCE ONLY

THE INFORMATION CONTAINED HEREIN IS PROPRIETARY TO ROSEN AVIATION DISPLAYS. IT SHALL NOT BE REPRODUCED OR DISCLOSED IN WHOLE OR IN PART OR USED FOR ANY DESIGN OR MANUFACTURE EXCEPT WHEN SUCH USER POSSESSES DIRECT, WRITTEN AUTHORIZATION FROM ROSEN AVIATION DISPLAYS. THIS DRAWING MAY BE COVERED UNDER ONE OR MORE U.S. OR INTERNATIONAL PATENTS. PLEASE CONTACT ROSEN AVIATION DISPLAYS FOR SPECIFIC INFORMATION.



ROSEN AVIATION DISPLAYS, LLC
 1020 OWEN LOOP SOUTH EUGENE, OREGON 97402
 TEL: (541) 342-3802 FAX: (541) 342-4912

APPROVALS	INITIAL	DATE	TITLE
DRAWN BY	SAM	04/26/02	15" SLIMLINE INSTALLATION DRAWING
CHECKER	DK	10/04/02	
ENGINEER	JAW	10/04/02	
PRODUCTION	CRW	10/04/02	
QUALITY	AJB	10/04/02	SCALE 1:8

UNLESS OTHERWISE SPECIFIED DIMENSIONS ARE IN INCHES	SIZE A	DWG NO 1500-002	REV F
.XX = ± .03			
$\sum = \pm 3.0^\circ$			
INTERPRET DIM AND TOL PER ASME Y14.5M - 1994			

Performance Specifications (reference)

LCD Performance

Screen Resolution (pixels)	1024 w X 768 h
Video Standards supported	NTSC, PAL, SECAM
Graphics Standards supported	VGA through XGA
Display Viewing Area (in)	12.17 x 9.18
Horizontal Viewing Angle CR>10	±80°
Vertical Viewing Angle CR>10	±80°
Contrast Ratio	400:1
Backlight Lamp Life	50,000 hours
Screen Brightness	200 cd/m2 min (250 measured)

Power Requirements

Nominal Voltage	28VDC
Power Consumption	30 W Nominal

Environmental Specifications

Operating Temperature	0°C - 50°C
Altitude	15,000 ft
Humidity	95% RH
Vibration	1.48 grms
Power Input	DO-160D Cat AB
Voltage Spike	DO-160D Cat B
Induced Signal Susceptibility	DO-160D Cat Z
RF Susceptibility	DO-160D Cat TTX
Emission of RF Energy	DO-160D Cat M

Reliability (MTBF)

7,135 Hours

Main Interface Connector

Connector Type: Combo-D 21WA4 Male
ITT Cannon DCMC-21CA4PJ-K87
Mate: ITT Cannon DCA21WA45A197F0
Video Contacts: 75 Ohm Size 8 Coaxial,
ITT Cannon D130344-1
Backshell: Positronic D37000GEO-1023.0*
Rosen Connector Kit: 0300-021** (included)

Pin #	Monitor signal
1	28V Return
2	+28V
3	IR +5V
4	IR Signal
5	Reserved
6	RGB/Video Select (TTL)
7	Status Output (TTL)
8	Hsync
9	Vsync
10	28V Return
11	28V
12	IR Ground
13	Computer Sync Ground
14	Reserved
15	Digital Ground
16	Digital Ground
17	Digital Ground
A1-signal	Red
A1-shield	Red Return
A2-signal	Green
A2-shield	Green Return
A3-signal	Blue
A3-shield	Blue Return
A4-signal	Composite Video
A4-shield	Comp Video Return
Shell	Chassis Ground

External Control Connector

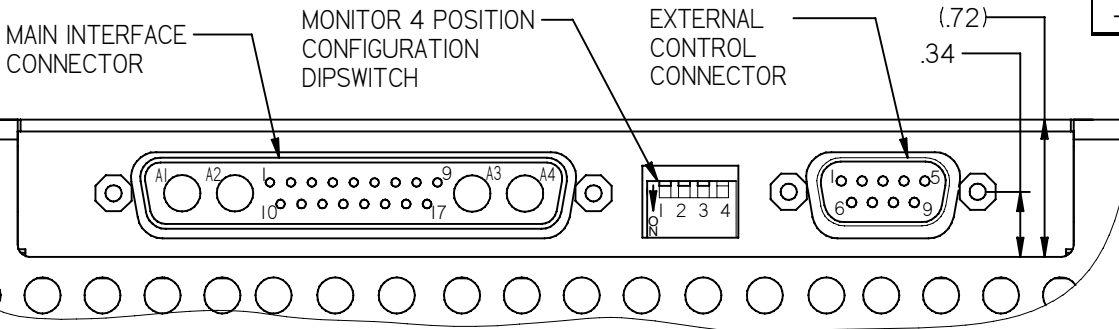
Connector Type: DB9 Male
Power Dynamics PDF-09S
Mate: Positronic SD9F0000Z
Backshell: Positronic D90000GEO*
Rosen Connector Kit: 0300-022**
(not included)

Pin #	Control Signal
1	Power On/Off
2	Source Select
3	NC
4	Up
5	Down
6	Menu/Select
7	Left
8	Right
9	Ground

**FOR
REFERENCE
ONLY**

Configuration Dipswitch Settings

SW 1	SW 2	SW 3	SW 4	Function
On	Off	-	-	Constant Ground Switching: Monitor displays RGB when pin 6 of main interface connector is held to ground. Monitor displays composite video when pin 6 is held high.
Off	On	-	-	Momentary Ground Switching: Pin 6 of main interface connector toggles display between composite/RGB on transition to low. Monitor recalls last setting at power up.
Off	Off	-	-	Manual Mode. In this mode all button pushes are sent to the OSD. No OSD menu features are locked out.
On	On	-	-	Autodetect: When Hsync is detected the monitor will switch to RGB input. Hsync present assumes the RGB is present.
-	-	Off		Monitor defaults to Off state when power applied.
-	-	On		Monitor defaults to On state when power applied.
-	-	-	Off	Membrane Switch Disabled.
-	-	-	On	Membrane Switch Enabled.



VIEW A-A

1:1

Notes: (cont. from pg1)

- *10. MATING CONNECTOR KIT INCLUDING CONNECTOR, CONTACTS AND BACKSHELL.
- *11. APPLICATIONS REQUIRES LISTED CONNECTOR BACKSHELL DUE TO SPACE CONSTRAINTS AND 21WA4 COMBO CONNECTOR.

	ROSEN AVIATION DISPLAYS, LLC 1020 OWEN LOOP SOUTH EUGENE, OREGON 97402 TEL: (541) 342-3802 FAX: (541) 342-4912	
	SIZE DWG NO A 1500-002	REV F
SCALE NONE SHEET 2 OF 2		© 2005 ROSEN AVIATION DISPLAYS, LLC