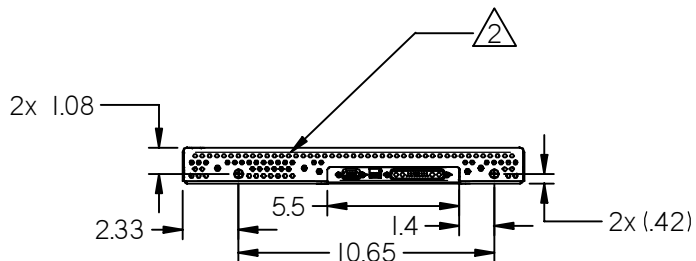
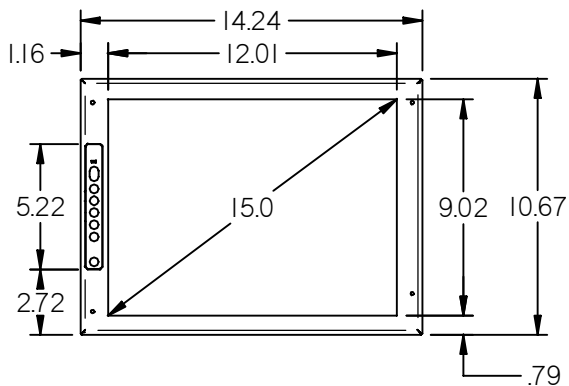
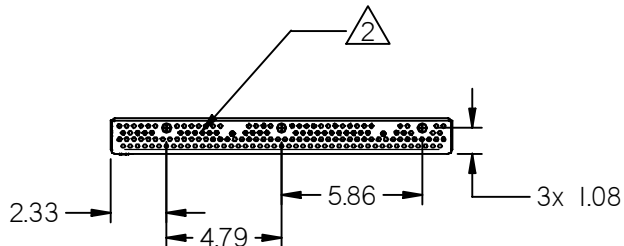
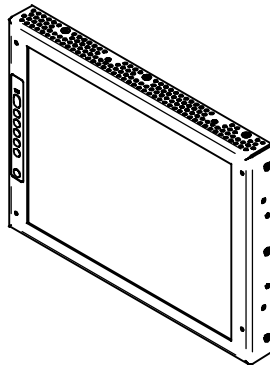
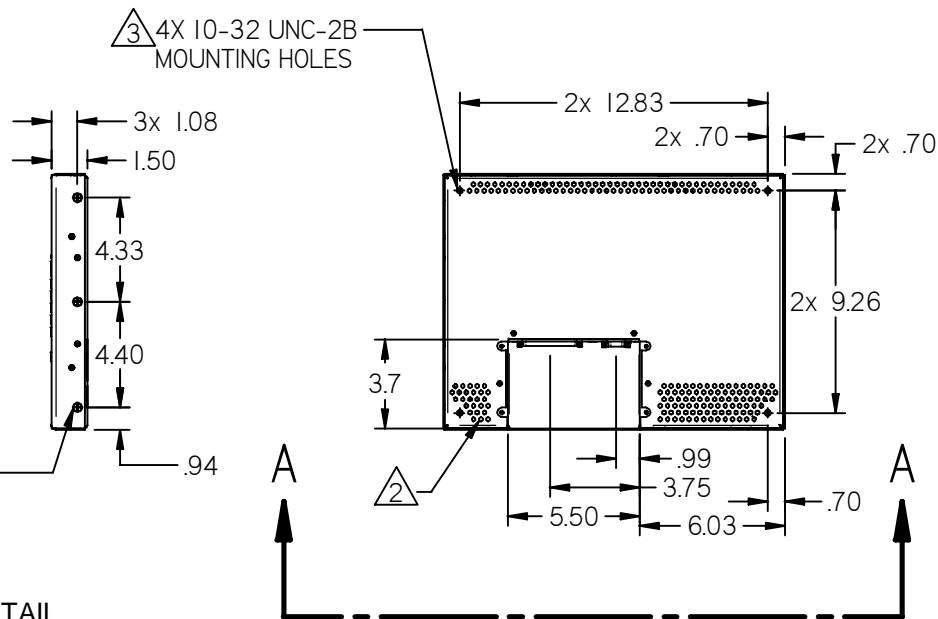


NOTES: (unless otherwise specified)

1. COMPONENT WEIGHT: 6.14 lbs ±5%
2. FREE AIR VENTILATION REQUIRED, LEAVE TOP SURFACE VENTS AND EITHER BOTTOM OR BACK SURFACE VENTS UNBLOCKED
3. MONITOR MUST BE MOUNTED USING ALL MOUNTING HOLES ON REAR SURFACE OR ANY COMBINATION OF TWO SIDES
4. REMOVE #10-32 FLAT HEAD SCREWS AS NEEDED TO ACCESS MOUNTING HOLES
5. MAX SCREW INSERTION: .75" ALL MOUNTING HOLES
6. CARE MUST BE TAKEN TO KEEP DEBRIS FROM ENTERING VENT HOLES DURING INSTALLATION AND OPERATION
7. OBSERVE ESD SAFE HANDLING PRACTICES AND DO NOT "HOT PLUG"

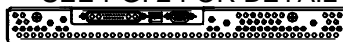


ELECTRONIC REVISION CONTROLLED



3 4 11X 10-32 MOUNTING HOLES AROUND PERIMETER

SEE PG. 2 FOR DETAIL



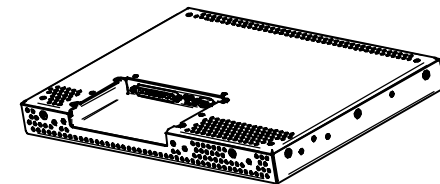
VIEW A-A

UNLESS OTHERWISE SPECIFIED DIMENSIONS ARE IN INCHES	
.X	= ± .1
.XX	= ± .020
.XXX	= ± .005
\sum	= ± 5.0°
RADI	± .020
INTERPRET DIM AND TOL PER ASME Y14.5M - 1994	

THE INFORMATION CONTAINED HEREIN IS PROPRIETARY TO ROSEN AVIATION, LLC. IT SHALL NOT BE REPRODUCED OR DISCLOSED IN WHOLE OR IN PART OR USED FOR ANY DESIGN OR MANUFACTURE EXCEPT WHEN SUCH USER POSSESSES DIRECT, WRITTEN AUTHORIZATION FROM ROSEN AVIATION. THIS DRAWING MAY BE COVERED UNDER ONE OR MORE U.S. OR INTERNATIONAL PATENTS. PLEASE CONTACT ROSEN AVIATION FOR SPECIFIC INFORMATION.

Rosen AVIATION 1020 OWEN LOOP SOUTH EUGENE, OREGON 97402 TEL: (541) 342-3802 FAX: (541) 342-4912	APPROVALS	INITIAL	DATE
	DRAWN BY	GJH	06/03/08
TITLE OUTLINE & INSTALLATION DRAWING FIRST CALLED FOR: (FCF) 15" SLIMLINE II	CHECKER	DRF	06/03/08
	ENGINEER	JBM	06/12/08
DWG NO		1500-003-CD	
SIZE	A	REV	C
SCALE	1:8	SHEET	1 OF 2

REVISIONS						
ZONE	REV	DESCRIPTION	DATE	BY	CHG NO	APRV
	A	INITIAL DRAWING RELEASE	06/12/08	GJH	EC08234	
pg2	B	ADD MAX VDC CALLOUT TO EX. CONTROL	03/11/09	GJH	EC09103	DRF
pg2	C	ADD CAUTION TO EXTERNAL CONTROL	04/20/09	GJH	EC09161	TF



Performance Specifications

LCD Performance

Screen Resolution (pixels)	1024 w X 768 h
Video Standards supported	NTSC, PAL, SECAM RS-170 (B&W)
Graphics Standards supported	VGA through XGA
Display Viewing Area (in)	12.17 x 9.18
Horizontal Viewing Angle CR>10	±80°
Vertical Viewing Angle CR>10	±80°
Contrast Ratio	400:1
Backlight Lamp Life	50,000 hours
Screen Brightness	200 cd/m ² min (250 typical)

Power Requirements

Nominal Voltage	28VDC
Power Consumption	30 W Nominal

Environmental Specifications

Operating Temperature	0°C - 50°C
Altitude	15,000 ft
Humidity	95% RH
Vibration	1.48 grms
Power Input	DO-160D Cat AB
Voltage Spike	DO-160D Cat B
Induced Signal Susceptibility	DO-160D Cat Z
RF Susceptibility	DO-160D Cat TT
Emission of RF Energy	DO-160D Cat B

Reliability (MTBF)

	9,750 Hours
--	-------------

Input Signal Refresh Rate (Hz)	
VGA (640x480)	60, 59.94, 70, 72, 75
SVGA (800x600)	60, 72, 75
XGA (1024x768)	60, 70, 75

Main Interface Connector

Connector Type: Combo-D 21WA4 Male
 ITT Cannon DCMC-21CA4PJ-K87
 Mate: ITT Cannon DCA21WA4SA197F0
 Video Contacts: 75 Ohm Size 8 Coaxial,
 ITT Cannon D130344-1
 Backshell: Positronic D37000GEO-
 Rosen Connector Kit: 0300-021**

Pin #	Monitor signal
1	28V Return
2	+28V
3	IR +5V
4	IR Signal
5	Reserved
6	RGB/Video Select (TTL)
7	Status Output (TTL)
8	Hsync
9	Vsync
10	28V Return
11	28V
12	IR Ground
13	Computer Sync Ground
14	Reserved
15	Digital Ground
16	Digital Ground
17	Digital Ground
A1-signal	Red
A1-shield	Red Return
A2-signal	Green
A2-shield	Green Return
A3-signal	Blue
A3-shield	Blue Return
A4-signal	Composite Video
A4-shield	Comp Video Return

External Control Connector

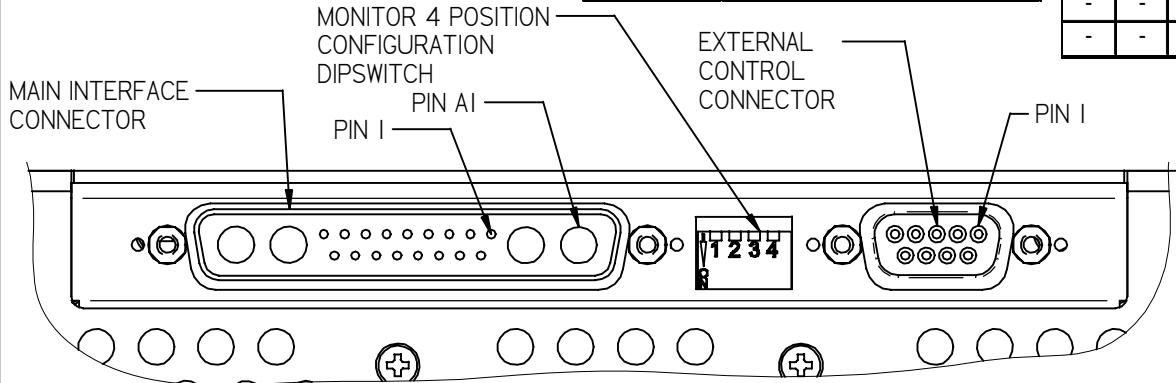
Connector Type: DB9 Male
 Power Dynamics PDF-
 Mate: Positronic SD9F0000Z
 Backshell: Positronic D90000GEO*
 Rosen Connector Kit: 0300-022**

Pin #	Control Signal
1	Display On/Off
2	Source Select
3	NC
4	Up
5	Down
6	Menu/Select
7	Left
8	Right
9	Ground

CAUTION: Signals on this connector are momentary ground only. Do not exceed 5VDC on any pin.

Configuration Dipswitch Settings

SW1	SW2	SW3	SW4	Function
ON	Off	-	-	Constant Ground: Monitor displays RGB when pin 6 of main interface connector is held to GND. Monitor displays composite video when pin 6 is not grounded.
OFF	ON	-	-	Momentary Ground: Pin 6 of main interface connector toggles display between composite/RGB on transition to low. Monitor recalls last setting at power up.
OFF	OFF	-	-	Manual Mode: In this mode, all button pushes will be sent to the OSD inputs. No OSD menu features will be locked out.
ON	ON	-	-	Autodetect: When Hsync is detected the monitor will switch to RGB input. Hsync present assumes that RGB is present.
-	-	OFF	-	Monitor Off when 28 V power is applied.
-	-	ON	-	Monitor On when 28 V power is applied.
-	-	-	ON	Front panel membrane switch is enabled.
-	-	-	OFF	Front panel membrane switch is disabled.



Notes:

- * APPLICATION REQUIRES LISTED CONNECTOR BACKSHELL DUE TO SPACE CONSTRAINTS AND 21WA4 COMBO CONNECTOR.
- **MATING CONNECTOR KIT INCLUDING CONNECTOR, CONTACTS AND BACKSHELL AVAILABLE FROM ROSEN AVIATION DISPLAYS.

THE INFORMATION CONTAINED HEREIN IS PROPRIETARY TO ROSEN AVIATION, LLC. IT SHALL NOT BE REPRODUCED OR DISCLOSED IN WHOLE OR IN PART OR USED FOR ANY DESIGN OR MANUFACTURE EXCEPT WHEN SUCH USER POSSESSES DIRECT, WRITTEN AUTHORIZATION FROM ROSEN AVIATION, LLC. THIS DRAWING MAY BE COVERED UNDER ONE OR MORE U.S. OR INTERNATIONAL PATENTS. PLEASE CONTACT ROSEN AVIATION FOR SPECIFIC INFORMATION.

ROSEN AVIATION		1020 OWEN LOOP SOUTH EUGENE, OREGON 97402 TEL: (541) 342-3802 FAX: (541) 342-4912	SIZE DWG NO A 1500-003-CD	REV C
SCALE NONE		SHEET 2 OF 2		