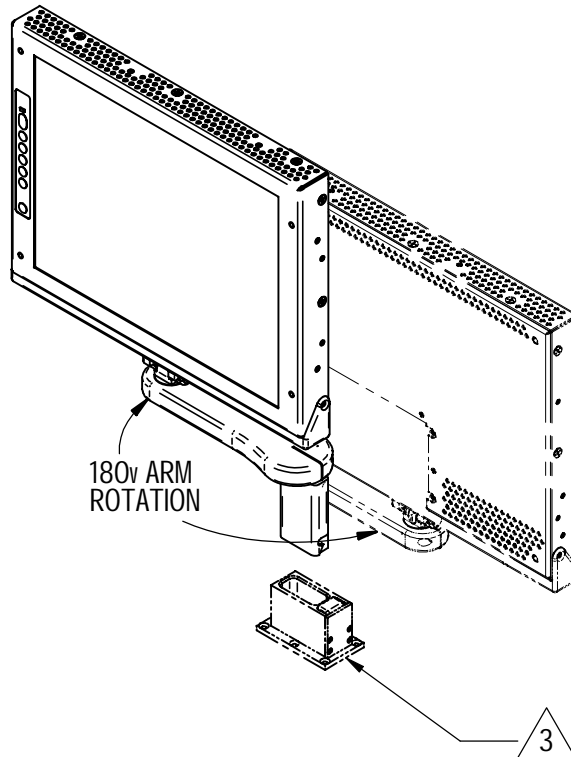
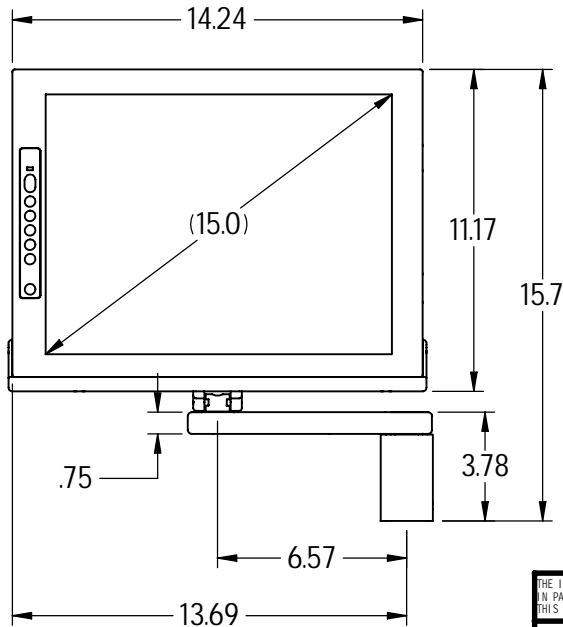
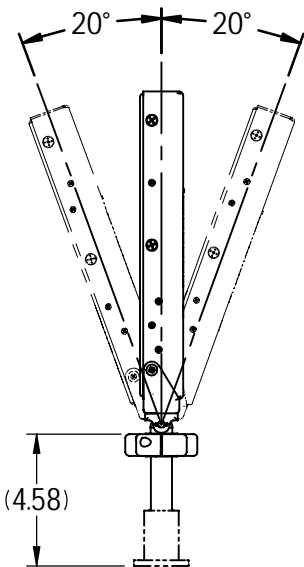
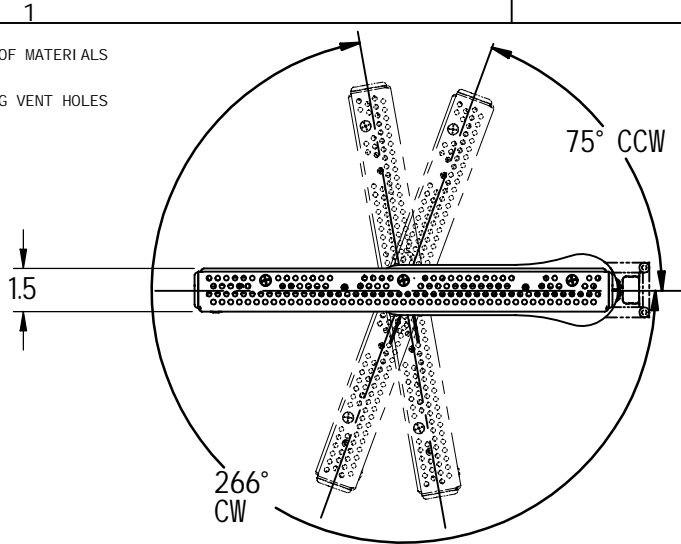


NOTES: (unless otherwise specified)

1. ALL MATERIALS AND INSTRUCTIONS LISTED ON BILL OF MATERIALS
2. COMPONENT WEIGHT: 8.65 LBS. ±5%
3. BASE SOLD SEPARATELY
4. CARE MUST BE TAKEN TO KEEP DEBRIS FROM ENTERING VENT HOLES



REFERENCE ONLY
CONFIGURATION MANAGEMENT

REVISIONS						
ZONE	REV	DESCRIPTION	DATE	BY	CO NO	APRV
-	A	PRODUCTION RELEASE	8/19/03	JAW	03225	
-	B	CORRECT MONITOR ROTATION ON DWG	10/9/03	GJH	03236	JW
-	C	UPDATE BOM PER WORK INSTRUCTIONS	12/17/03	GJH	03350	JW

UNLESS OTHERWISE SPECIFIED DIMENSIONS ARE IN INCHES

.X = ± .1
.XX = ± .03
.XXX = ± .010

∑ = ± 3.0°

INTERPRET DIM AND TOL PER ASME Y14.5M - 1994

THE INFORMATION CONTAINED HEREIN IS PROPRIETARY TO ROSEN AVIATION DISPLAYS. IT SHALL NOT BE REPRODUCED OR DISCLOSED IN WHOLE OR IN PART OR USED FOR ANY DESIGN OR MANUFACTURE EXCEPT WHEN SUCH USER POSSESSES DIRECT WRITTEN AUTHORIZATION FROM ROSEN AVIATION DISPLAYS. THIS DRAWING MAY BE COVERED UNDER ONE OR MORE U.S. OR INTERNATIONAL PATENTS. PLEASE CONTACT ROSEN AVIATION DISPLAYS FOR SPECIFIC INFORMATION.

		ROSEN AVIATION DISPLAYS, LLC 1020 OWEN LOOP SOUTH EUGENE, OREGON 97402 TEL: (541) 342-3802 FAX: (541) 342-4912			
		APPROVALS	INITIAL	DATE	TITLE
DRAWN BY	JEA	07/21/03	15" SLIMLINE CENTER CKC ARM		
CHECKER	MAG	9/12/03			
ENGINEER	JAW	9/10/03	SIZE	MODEL NO	
PRODUCTION	JB	9/12/03	A	1500-083	
QUALITY	TMJ	9/11/03	SCALE	REV	
			NONE	C	
			SHEET	1 OF 1	

Performance Specifications *(reference)*

LCD Performance

Screen Resolution (pixels)	1024 w X 768 h
Video Standards supported	NTSC, PAL, SECAM
Graphics Standards supported	VGA through XGA
Display Viewing Area (in)	12.17 x 9.18
Horizontal Viewing Angle CR>10	±80°
Vertical Viewing Angle CR>10	±80°
Contrast Ratio	400:1
Backlight Lamp Life	50,000 hours
Screen Brightness	200 cd/m2 min (250 measured)

Power Requirements

Nominal Voltage	28VDC
Power Consumption	30 W Nominal

Environmental Specifications

Operating Temperature	0°C - 50°C
Altitude	15,000 ft
Humidity	95% RH
Vibration	1.48 grms
Power Input	DO-160D Cat AB
Voltage Spike	DO-160D Cat B
Induced Signal Susceptibility	DO-160D Cat Z
RF Susceptibility	DO-160D Cat TTX
Emission of RF Energy	DO-160D Cat M

Reliability (MTBF)

7,135 Hours

Pinout

Connector: 26in Male D-Subminiature

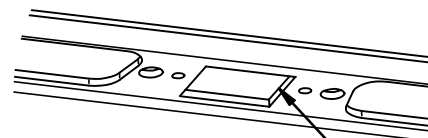
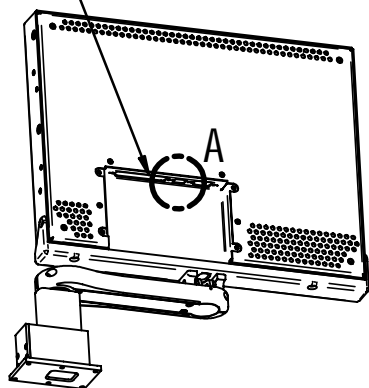
Mate: 26 Pin Female D-Subminiature

Pin #	Monitor signal
1	Red
2	Green
3	Blue
4	Reserved
5	Reserved
6	Red Return
7	Green Return
8	Blue Return
9	Reserved
10	Computer Ground
11	Reserved
12	Reserved
13	Horizontal Sync
14	Vertical Sync
15	RGB/Video Select
16	Reserved
17	+28V
18	28V Return
19	Status Output (TTL 10mA max)
20	Video Return*
21	Reserved
22	Reserved
23	Reserved
24	Video Signal Input
25	+28V
26	28V Return

Configuration Dipswitch Settings

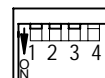
SW 1	SW 2	SW 3	SW 4	Function
On	Off	-	-	Constant Ground Switching: Monitor displays RGB when pin 15 of main interface connector is held to ground. Monitor displays composite video when pin15 is held high.
Off	On	-	-	Momentary Ground Switching: Pin 15 of main interface connector toggles display between composite/RGB on transition to low. Monitor recalls last setting at power up.
Off	Off	-	-	Manual Mode. In this mode all button pushes are sent to the OSD. No OSD menu features are locked out.
On	On	-	-	Autodetect:When Hsync is detected the monitor will switch to RGB input. Hsync present assumes that RGB is present.
-	-	Off		Monitor defaults to Off state when power applied.
-	-	On		Monitor defaults to On state when power applied.
-	-	-	Off	Membrane Switch Disabled.
-	-	-	On	Membrane Switch Enabled.

MONITOR CONFIGURATION DIPSWITCH ACCESSIBLE WITH CONNECTOR COVERPLATE REMOVED (CONNECTOR NOT SHOWN).



DETAIL A

MONITOR CONFIGURATION DIPSWITCH



REFERENCE ONLY
CONFIGURATION MANAGEMENT

		ROSEN AVIATION DISPLAYS, LLC 1020 OWEN LOOP SOUTH EUGENE, OREGON 97402 TEL: (541) 342-3802 FAX: (541) 342-4912	
THE INFORMATION CONTAINED HEREIN IS PROPRIETARY TO ROSEN AVIATION DISPLAYS. IT SHALL NOT BE REPRODUCED OR DISCLOSED IN WHOLE OR IN PART OR USED FOR ANY DESIGN OR MANUFACTURE EXCEPT WHEN SUCH USER POSSESSES DIRECT WRITTEN AUTHORIZATION FROM ROSEN AVIATION DISPLAYS. THIS DRAWING MAY BE COVERED UNDER ONE OR MORE U.S. OR INTERNATIONAL PATENTS. PLEASE CONTACT ROSEN AVIATION DISPLAYS FOR SPECIFIC INFORMATION.	SIZE A	DWG NO 1500-083	REV C
SCALE	NONE	SHEET	2 OF 2