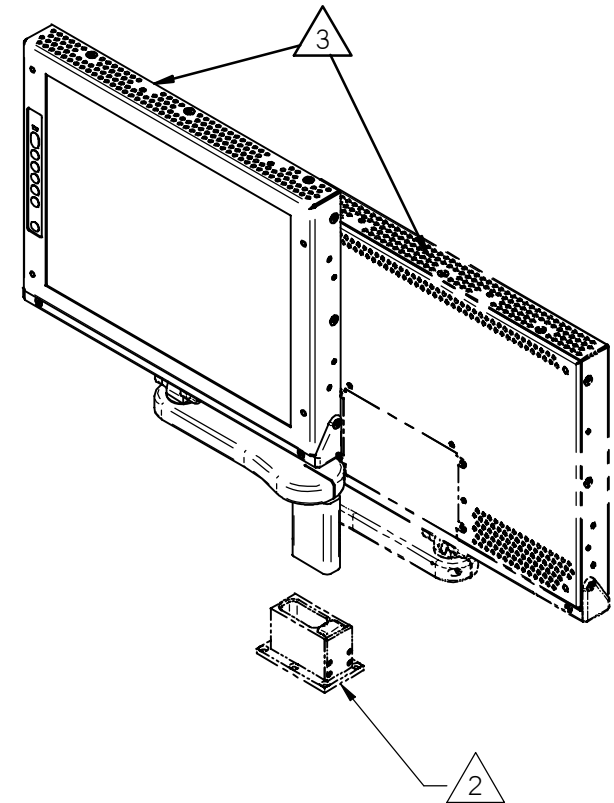
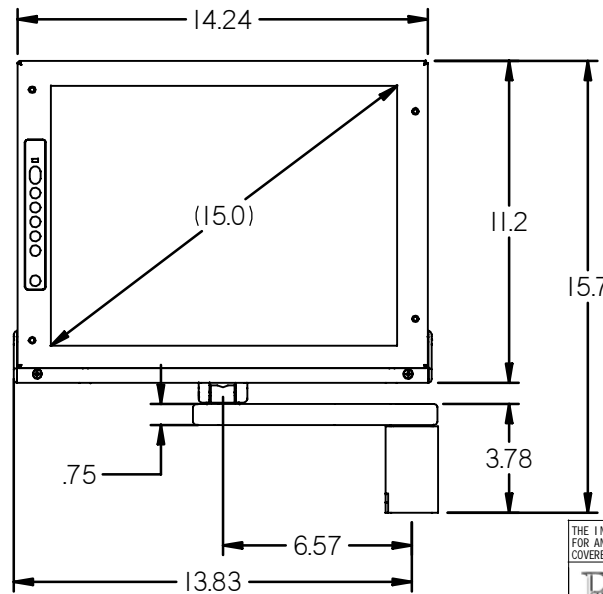
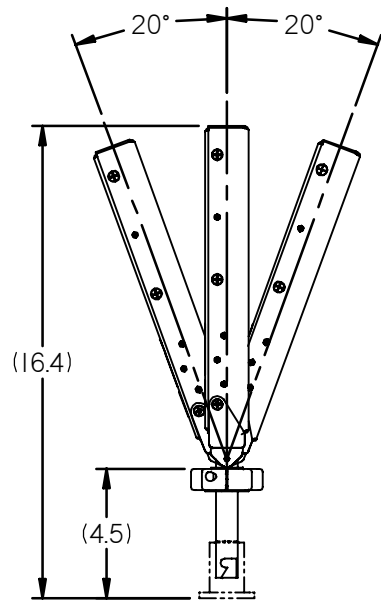
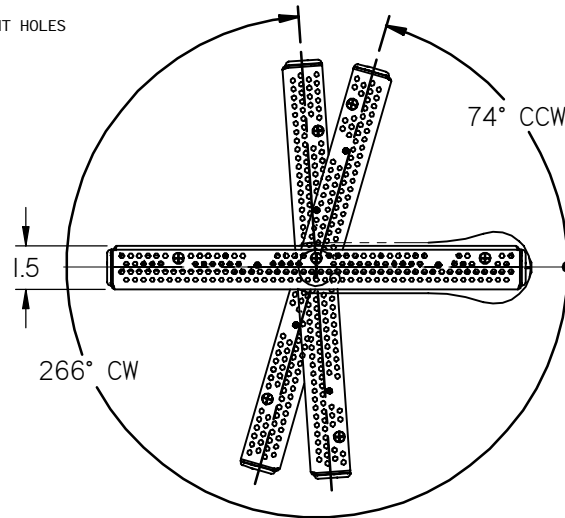


NOTES: (unless otherwise specified)
 1. COMPONENT WEIGHT: 8.65 LBS. ±10%
 BASE SOLD SEPARATELY
 CARE MUST BE TAKEN TO KEEP DEBRIS FROM ENTERING VENT HOLES

REVISIONS						
ZONE	REV	DESCRIPTION	DATE	BY	CHG NO	APRV
	A	INITIAL DRAWING RELEASE	05/20/09	GJH	ECO9081	



THE INFORMATION CONTAINED HEREIN IS PROPRIETARY TO ROSEN AVIATION, LLC. IT SHALL NOT BE REPRODUCED OR DISCLOSED IN WHOLE OR IN PART OR USED FOR ANY DESIGN OR MANUFACTURE EXCEPT WHEN SUCH USER POSSESSES DIRECT, WRITTEN AUTHORIZATION FROM ROSEN AVIATION. THIS DRAWING MAY BE COVERED UNDER ONE OR MORE U.S. OR INTERNATIONAL PATENTS. PLEASE CONTACT ROSEN AVIATION FOR SPECIFIC INFORMATION.

Rosen AVIATION		1020 OWEN LOOP SOUTH EUGENE, OREGON 97402 TEL: (541) 342-3802 FAX: (541) 342-4912	
APPROVALS	INITIAL	DATE	
DRAWN BY	GJH	03/03/09	
CHECKER	DRF	05/07/09	
ENGINEER	SC	05/19/09	
DWG NO 1500-084-CD			
SCALE	1:4	REV	A
SHEET		1 OF 2	

**ELECTRONIC REVISION
CONTROLLED**

REFER TO www.rosenaviation.com FOR THE LATEST REVISION INFORMATION.

UNLESS OTHERWISE SPECIFIED DIMENSIONS ARE IN INCHES
 .X = ± .1
 .XX = ± .03
 ∑ = ± 5.0°
 RADI = ± .020
 INTERPRET DIM AND TOL PER ASME Y14.5M - 1994

Performance Specifications *(reference)*

LCD Performance

Screen Resolution (pixels)	1024 w X 768 h
Video Standards supported	NTSC, PAL, SECAM RS-170 (B&W)
Graphics Standards supported	VGA through XGA
Display Viewing Area (in)	12.17 x 9.18
Horizontal Viewing Angle CR>10	±80°
Vertical Viewing Angle CR>10	±80°
Contrast Ratio	400:1
Backlight Lamp Life	50,000 hours
Screen Brightness	200 cd/m ² min (250 typical)

Power Requirements

Nominal Voltage/Current	28 VDC / 1.1A
Inrush Current	36A for 100µsec
Op voltage Range	18-32 VDC
Maximum Current Draw	1.95 A
Power Consumption	30W Max

Environmental Specifications

Operating Temperature	0°C - 50°C
Altitude	15,000 ft
Humidity	95% RH
Vibration	1.48 grms
Power Input	DO-160D Cat AB
Voltage Spike	DO-160D Cat B
Induced Signal Susceptibility	DO-160D Cat Z
RF Susceptibility	DO-160D Cat T
Emission of RF Energy	DO-160D Cat B

Reliability (MTBF)

9,750 Hours

Pinout RNVAP BASE RECEPTACLE MODEL 0100-020

Connector: 26in Male D-Subminiature	
Mate: 26 Pin Female D-Subminiature	
Pin #	Monitor signal
1	Red
2	Green
3	Blue
4	Reserved
5	Reserved
6	Red Return
7	Green Return
8	Blue Return
9	Reserved
10	Computer Ground
11	Reserved
12	Reserved
13	Horizontal Sync
14	Vertical Sync
15	RGB/Video Select
16	Reserved
17	+28V
18	28V Return
19	Status Output (TTL 10mA max)
20	Video Return
21	Reserved
22	Reserved
23	Reserved
24	Video Signal Input
25	+28V
26	28V Return

Configuration Dipswitch Settings

SW 1	SW 2	SW 3	SW 4	Function
On	Off	-	-	Constant Ground Switching: Monitor displays RGB when pin 15 of main interface connector is held to ground. Monitor displays composite video when pin15 is not grounded.
Off	On	-	-	Momentary Ground Switching: Pin 15 of main interface connector toggles display between composite/RGB on transition to low. Monitor recalls last setting at power up.
Off	Off	-	-	Manual Mode. In this mode all button pushes are sent to the OSD. No OSD menu features are locked out.
On	On	-	-	Autodetect:When Hsync is detected the monitor will switch to RGB input. Hsync present assumes that RGB is present.
-	-	Off		Monitor defaults to Off state when power applied.
-	-	On		Monitor defaults to On state when power applied.
-	-	-	Off	Membrane Switch Disabled.
-	-	-	On	Membrane Switch Enabled.

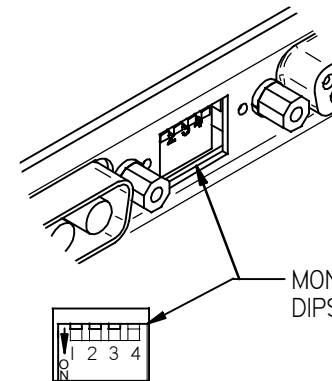
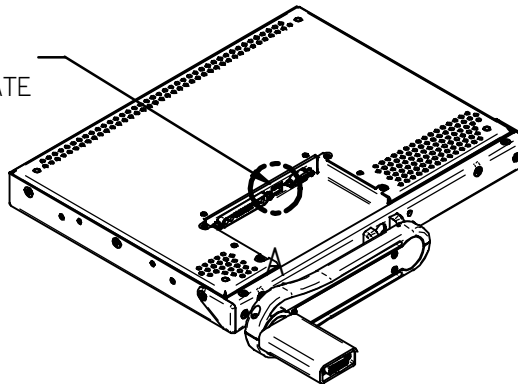
A

A

B

B

MONITOR CONFIGURATION DIPSWITCH ACCESSIBLE w/ CONNECTOR COVERPLATE REMOVED (CONNECTOR NOT SHOWN)



DETAIL A

THE INFORMATION CONTAINED HEREIN IS PROPRIETARY TO ROSEN AVIATION, LLC. IT SHALL NOT BE REPRODUCED OR DISCLOSED IN WHOLE OR IN PART OR USED FOR ANY DESIGN OR MANUFACTURE EXCEPT WHEN SUCH USER POSSESSES DIRECT, WRITTEN AUTHORIZATION FROM ROSEN AVIATION, LLC. THIS DRAWING MAY BE COVERED UNDER ONE OR MORE U.S. OR INTERNATIONAL PATENTS. PLEASE CONTACT ROSEN AVIATION FOR SPECIFIC INFORMATION.

ROSEN AVIATION

1020 OWEN LOOP SOUTH
EUGENE, OREGON 97402
TEL: (541) 342-3802 FAX: (541) 342-4912

SIZE	DWG NO	REV
A	1500-084-CD	A
SCALE	NONE	SHEET 2 OF 2