

NOTES: (unless otherwise specified)

1. MATERIALS AND INSTRUCTION LISTED ON SEPERATE BILL OF MATERIALS
2. COMPONENT WEIGHT: 7.31 lbs ± 5%
3. FREE AIR VENTILATION REQUIRED, LEAVE TOP SURFACE VENTS AND EITHER BOTTOM OR BACK SURFACE VENTS UNBLOCKED.
4. MONITOR MUST BE MOUNTED USING ALL MOUNTING HOLES ON REAR SURFACE OR ANY COMBINATION OF TWO SIDES.
5. REMOVE #10-32 FLAT HEAD SCREWS AS NEEDED TO ACCESS MOUNTING HOLES.
6. MAX SCREW INSERTION: .50" ON REAR, .75" ON SIDES
7. CARE MUST BE TAKEN TO KEEP DEBRIS FROM ENTERING VENT HOLES DURING INSTALLATION AND OPERATION.
8. TORQUE CONNECTOR FASTENERS TO 51N-LBS MAX.

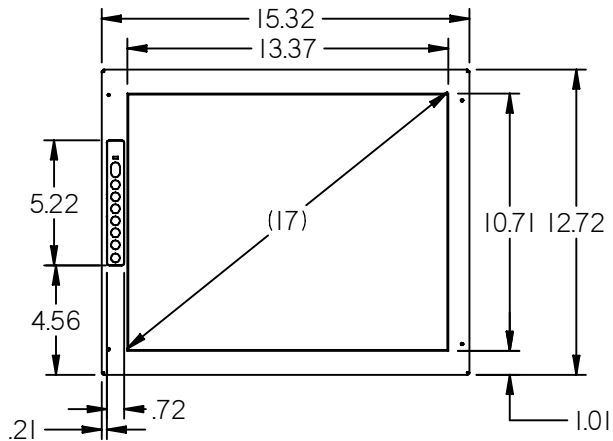
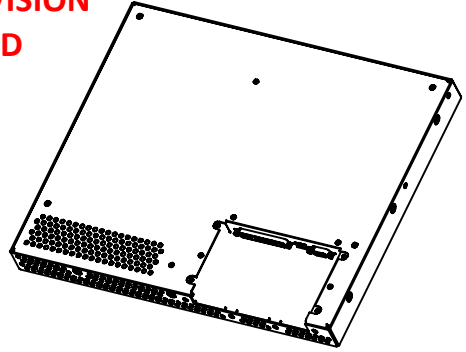
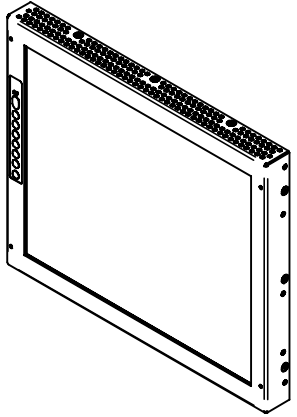
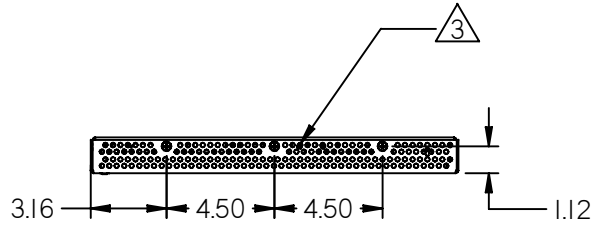
2

REVISIONS						
ZONE	REV	DESCRIPTION	DATE	BY	CHG NO	APRV
	A	INITIAL DRAWING RELEASE	01/05/07	GJH	ECO6372	
B2	B	CORRECT DRAWING TITLE	02/27/07	GJH	ECO7066	DRF
A1	C	CHG NOTE 2 FROM 8.30LBS	03/01/07	GJH	ECO7071	SC
A1	D	ADD NOTE 8, (TORQUE VALUE)	10/23/07	GJH	ECO7401	SF

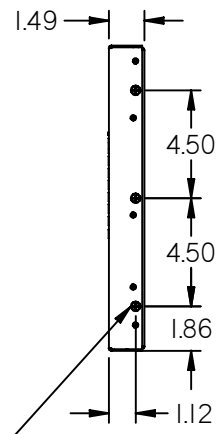
ELECTRONIC REVISION CONTROLLED

A

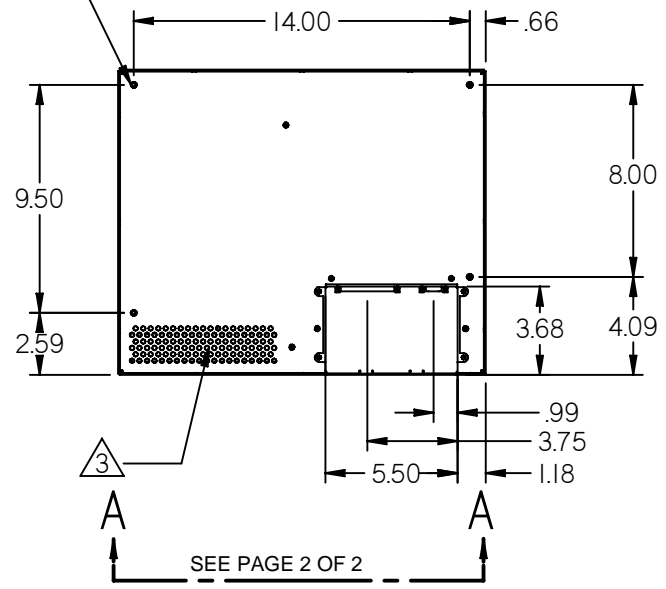
A



4 4X 10-32 UNC-2B MOUNTING HOLES



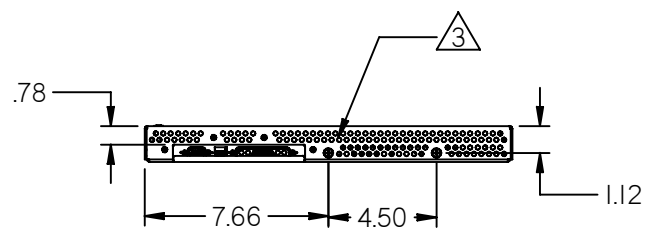
4 5 11X 10-32 MOUNTING HOLES



SEE PAGE 2 OF 2

B

B



THE INFORMATION CONTAINED HEREIN IS PROPRIETARY TO ROSEN AVIATION, LLC. IT SHALL NOT BE REPRODUCED OR DISCLOSED IN WHOLE OR IN PART OR USED FOR ANY DESIGN OR MANUFACTURE EXCEPT WHEN SUCH USER POSSESSES DIRECT, WRITTEN AUTHORIZATION FROM ROSEN AVIATION. THIS DRAWING MAY BE COVERED UNDER ONE OR MORE U.S. OR INTERNATIONAL PATENTS. PLEASE CONTACT ROSEN AVIATION FOR SPECIFIC INFORMATION.

ROSEN AVIATION 1020 OWEN LOOP SOUTH
EUGENE, OREGON 97402
TEL: (541) 342-3802 FAX: (541) 342-4912

APPROVALS	INITIAL	DATE
DRAWN BY	SC	12/27/06
CHECKER	SDS	12/28/06
ENGINEER	SC	12/28/06

UNLESS OTHERWISE SPECIFIED DIMENSIONS ARE IN INCHES
 .X = ± .1
 .XX = ± .03
 = ± .5°
 INTERPRET DIM AND TOL PER ASME Y14.5M - 1994

TITLE
OUTLINE & INSTALLATION DRAWING
 FIRST CALLED FOR: (FCF)
1700-002 MOD 01

DWG NO 1700-002-CD		
SIZE A		REV D
SCALE 1:8	SHEET	1 OF 2

Performance Specifications

LCD Performance	
Screen Resolution (pixels)	1280 w X 1024 h
Video Standards supported	NTSC, PAL, SECAM, RS 170 B&W
Graphics Standards supported	VGA Through SXGA
Display Viewing Area (in)	13.30 x 10.64
Horizontal Viewing Angle	±80°
Vertical Viewing Angle	±80°
Contrast Ratio	400:1 min
Backlight Lamp Life	50,000 hours
Screen Brightness	220 cd/m ² min (250 TYP)

Power Requirements	
Nominal Voltage	28VDC
Nominal Current	1.25 A
Current Max	1.5 A

Environmental Specifications	
Operating Temperature	0-50°C
Altitude	15,000 ft
Vibration	1.48 grms
Humidity	95% RH
Power Input	DO160 CAT AB
RF Susceptibility	DO160 CAT TT
Emission of RF Energy	DO160 CAT B

Reliability (MTBF)	2834 Hours
--------------------	------------

Input Signal Refresh Rate (Hz)	
VGA (640x480)	60, 59.94, 70, 72, 75
SVGA (800x600)	60, 72, 75
XGA (1024x768)	60, 70, 75
SXGA (1280x1024)	60

Main Interface Connector

Connector Type: Combo-D 21WA4 Male
ITT Cannon DCMC-21CA4PJ-K87
Mate: ITT Cannon DCA21WA4SA197F0
Video Contacts: 75 Ohm Size 8 Coaxial,
ITT Cannon D130344-1
Backshell: Positronic D37000GEO-1023.0*
Rosen Connector Kit: 0300-021**

Pin #	Monitor signal
1	28V Return
2	+28V
3	IR +5V
4	IR Signal
5	Reserved
6	RGB/Video Select (TTL)
7	Status Output (TTL)
8	Hsync
9	Vsync
10	28V Return
11	28V
12	IR Ground
13	Computer Sync Ground
14	Reserved
15	Digital Ground
16	Digital Ground
17	Digital Ground
A1-signal	Red
A1-shield	Red Return
A2-signal	Green
A2-shield	Green Return
A3-signal	Blue
A3-shield	Blue Return
A4-signal	Composite Video
A4-shield	Comp Video Return

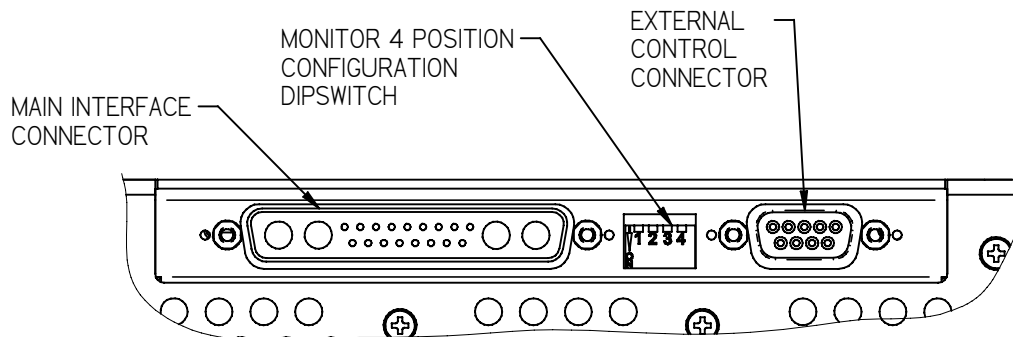
External Control Connector

Connector Type: DB9 Male
Power Dynamics PDF-09S
Mate: Positronic SD9F0000Z
Backshell: Positronic D90000GEO*
Rosen Connector Kit: 0300-022**

Pin #	Control Signal
1	Power On/Off
2	Source Select
3	NC
4	Up
5	Down
6	Menu/Select
7	Left
8	Right
9	Ground

Configuration Dipswitch Settings

SW1	SW2	SW3	SW4	Function
ON	OFF	-	-	Constant Ground: Monitor displays RGB when pin 6 of main interface connector is held to GND. Monitor displays composite video when pin 6 is not grounded
OFF	ON	-	-	Momentary Ground: Pin 6 of main interface connector toggles display between composite/RGB on transition to low. Monitor recalls last setting at power up.
OFF	OFF	-	-	Manual Mode: In this mode, all button pushes will be sent to the OSD inputs. No OSD menu features will be locked out.
ON	ON	-	-	Autodetect: When Hsync is detected the monitor will switch to RGB input. Hsync present assumes that RGB is present.
-	-	OFF	-	Monitor Off when 28 V power is applied.
-	-	ON	-	Monitor On when 28 V power is applied.
-	-	-	ON	Front panel membrane switch is enabled.
-	-	-	OFF	Front panel membrane switch is disabled.



VIEW A-A

Notes:

- * APPLICATION REQUIRES LISTED CONNECTOR BACKSHELL DUE TO SPACE CONSTRAINTS AND 21WA4 COMBO CONNECTOR.
- **MATING CONNECTOR KIT INCLUDING CONNECTOR, CONTACTS AND BACKSHELL AVAILABLE FROM ROSEN PRODUCTS.

THE INFORMATION CONTAINED HEREIN IS PROPRIETARY TO ROSEN AVIATION, LLC. IT SHALL NOT BE REPRODUCED OR DISCLOSED IN WHOLE OR IN PART OR USED FOR ANY DESIGN OR MANUFACTURE EXCEPT WHEN SUCH USER POSSESSES DIRECT, WRITTEN AUTHORIZATION FROM ROSEN AVIATION, LLC. THIS DRAWING MAY BE COVERED UNDER ONE OR MORE U.S. OR INTERNATIONAL PATENTS. PLEASE CONTACT ROSEN AVIATION FOR SPECIFIC INFORMATION.

ROSEN AVIATION	1020 OWEN LOOP SOUTH EUGENE, OREGON 97402 TEL: (541) 342-3802 FAX: (541) 342-4912	SIZE DWG NO A 1700-002-CD	REV D
	SCALE NONE SHEET 2 OF 2		