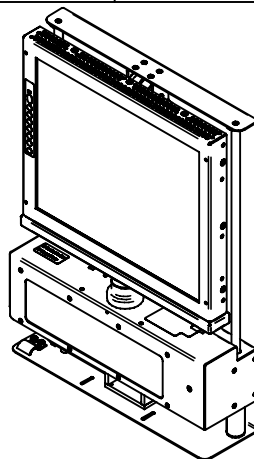


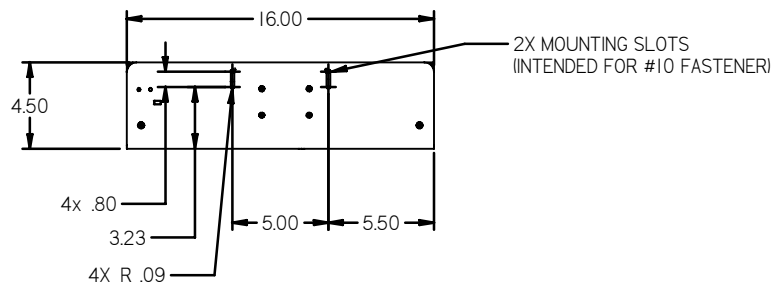
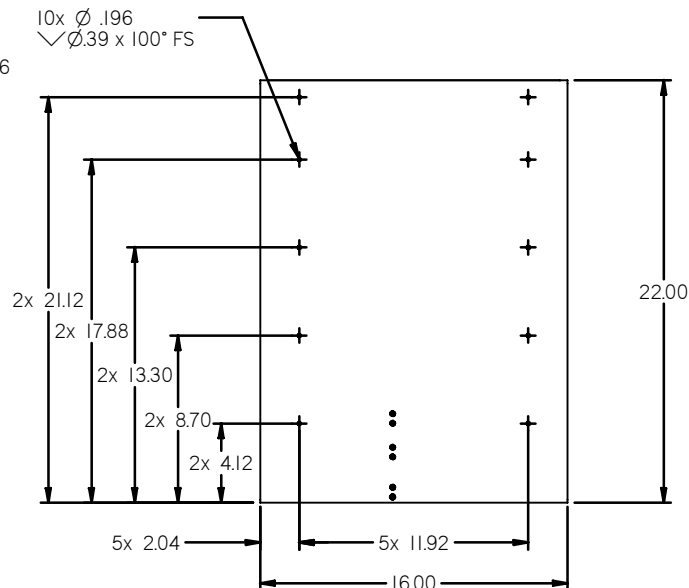
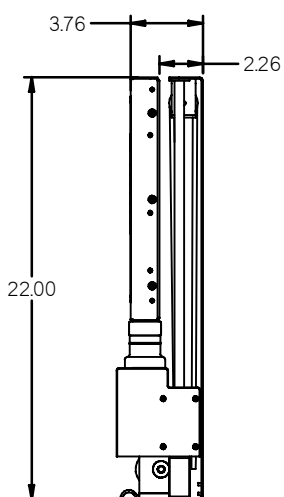
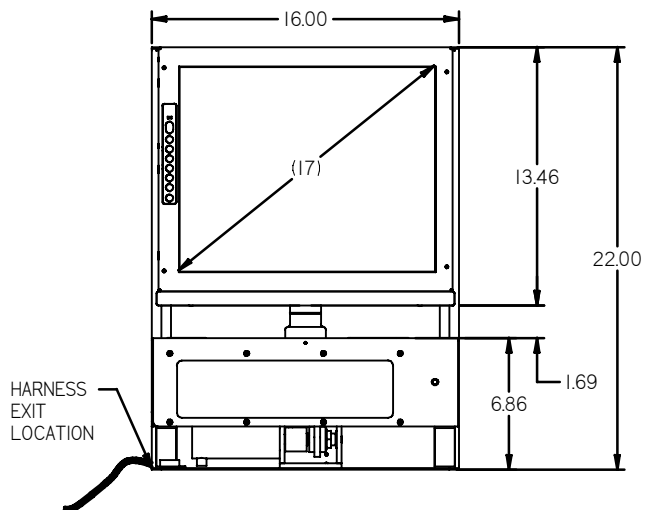
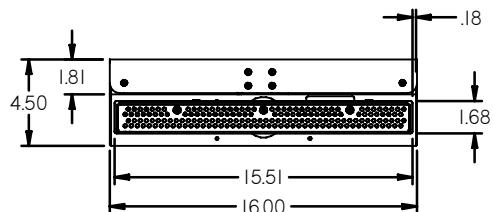
NOTES: (unless otherwise specified)

1. MATERIALS AND INSTRUCTIONS LISTED ON SEPARATE BILL OF MATERIALS.
2. ASSEMBLY WEIGHT: 23.5 LBS. ±5%
3. HARNESS LENGTH: 12" ±2"
4. DO NOT PLUG OR UNPLUG MONITOR WHEN POWER IS APPLIED.
5. OBSERVE ESD SAFE HANDLING PRACTICES.
6. FREE AIR VENTILATION OF MONITOR REQUIRED DURING OPERATION. LEAVE PERFORATED VENT AREAS ON THE TOP SURFACE AND EITHER THE BOTTOM OR BACK SURFACE UNBLOCKED FOR VENTILATION.
7. CARE MUST BE TAKEN TO KEEP DEBRIS FROM ENTERING VENT HOLES DURING INSTALLATION AND OPERATION.
8. ASSEMBLE PER 9002998



**ELECTRONIC
REVISION
CONTROLLED**

REVISIONS						
ZONE	REV	DESCRIPTION	DATE	BY	CHG NO	APRV
-	A	RELEASE TO PRODUCTION	08/04/05	SC	05351	-
pg4	B	pg 4 TECHNICAL DATA ADDED	10/26/05	GJH	05452	SC
-	C	ADDED REAR PLATE TO BOM	11/16/05	GJH	EC05010	SC
-	D	UPDATE pg4 INFORMATION	03/01/06	GJH	EC06036	SC
B1	F	UPDATE BOM, ADD NOTE 8	12/01/06	GJH	EC06348	SC
-	G	UPDATE BOM	06/18/07	GJH	EC07223	SC



THE INFORMATION CONTAINED HEREIN IS PROPRIETARY TO ROSEN AVIATION, LLC. IT SHALL NOT BE REPRODUCED OR DISCLOSED IN WHOLE OR IN PART OR USED FOR ANY DESIGN OR MANUFACTURE EXCEPT WHEN SUCH USER POSSESSES DIRECT, WRITTEN AUTHORIZATION FROM ROSEN AVIATION. THIS DRAWING MAY BE COVERED UNDER ONE OR MORE U.S. OR INTERNATIONAL PATENTS. PLEASE CONTACT ROSEN AVIATION FOR SPECIFIC INFORMATION.

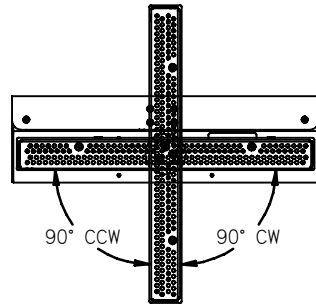
ROSEN AVIATION 1020 OWEN LOOP SOUTH EUGENE, OREGON 97402 TEL: (541) 342-3802 FAX: (541) 342-4912	APPROVALS	INITIAL	DATE
	DRAWN BY	SC	08/08/05
	CHECKER	JW	09/08/05
	ENGINEER	SC	09/09/05
TITLE	17" SLIMLINE II		
FIRST CALLED FOR: (FCF)	UNIVERSAL LIFT		
DWG NO	1700-500		
SIZE	A	REV	G
SCALE	N.T.S.	SHEET	1 OF 4

UNLESS OTHERWISE SPECIFIED DIMENSIONS ARE IN INCHES
 .X = ± .2
 .XX = ± .1

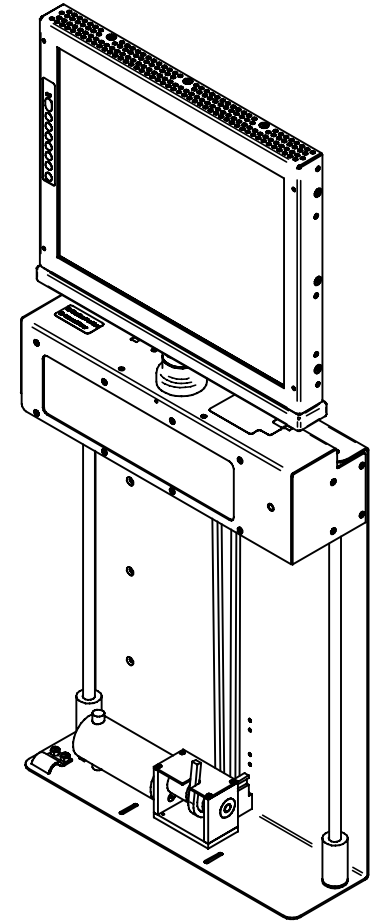
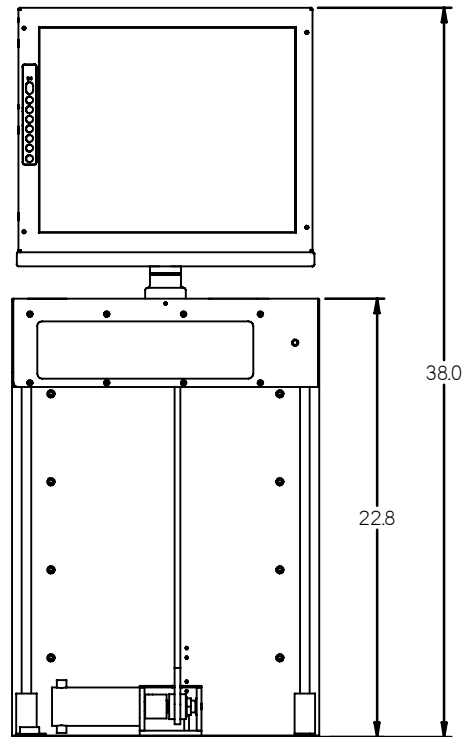
 INTERPRET DIM AND TOL PER ASME Y14.5M - 1994

1

2



MONITOR ROTATION



B

B

A

A

1

2

THE INFORMATION CONTAINED HEREIN IS PROPRIETARY TO ROSEN AVIATION, LLC. IT SHALL NOT BE REPRODUCED OR DISCLOSED IN WHOLE OR IN PART OR USED FOR ANY DESIGN OR MANUFACTURE EXCEPT WHEN SUCH USER POSSESSES DIRECT, WRITTEN AUTHORIZATION FROM ROSEN AVIATION, LLC. THIS DRAWING MAY BE COVERED UNDER ONE OR MORE U.S. OR INTERNATIONAL PATENTS. PLEASE CONTACT ROSEN AVIATION FOR SPECIFIC INFORMATION.

ROSEN AVIATION	1020 OWEN LOOP SOUTH EUGENE, OREGON 97402 TEL: (541) 342-3802 FAX: (541) 342-4912	SIZE A	DWG NO 1700-500	REV G
		SCALE NONE	SHEET 2 OF 4	

Performance Specifications

LCD Performance	
Screen Resolution (pixels)	1280 w X 1024 h
Video Standards supported	NTSC, PAL, SECAM, RS170 B&W
Graphics Standards supported	VGA through SXGA
Display Viewing Area (mm)	13.30 x 10.64
Horizontal Viewing Angle	±80°
Vertical Viewing Angle	±80°
Contrast Ratio	400:1 MIN
Backlight Lamp Life	50,000 hours
Screen Brightness	220 cd/m2 min
Power Requirements	
Nominal Voltage	28VDC
Nominal Power	65 W
Environmental Specifications	
Operating Temperature	0°C - 50°C
Altitude	15,000ft
Humidity	95%RH
Vibration	1.48 grms
Power Input	DO-160D Cat AB
Radio Frequency Susceptibility	DO-160D Cat TTX
Emission of RF Energy	DO-160D Cat B

Main Interface Connector

Connector Type: Combo-D 21WA4 Male

Mate: ITT Cannon DCA21WA4SA197F0
Video Contacts: 75 Ohm Size 8 Coaxial, ITT Cannon D130344-1

Backshell: Positronic D37000GEO-1023.0

Rosen Connector Kit: 0300-034 (Included)*

Pin #	Monitor signal
1	28V return
2	+28V
3	IR +5V
4	IR Signal
5	Reserved
6	RGB/Video Select (TTL)
7	Status Output (TTL)
8	Hsync
9	Vsync
10	28V Return
11	28V
12	IR Ground
13	Computer Sync Ground
14	Reserved
15	Digital Ground
16	Digital Ground
17	Digital Ground
A1-signal	Red
A1-shield	Red Return
A2-signal	Green
A2-shield	Green Return
A3-signal	Blue
A3-shield	Blue Return
A4-signal	Composite Video
A4-shield	Composite Video Return
Shell	Chassis Ground

Lift Control Interface

Connector Type: DB9 Female
Labeled "USER SWITCH"

Mate: Positronic SD9M0000Z

Backshell: Positronic D90000GEO

Rosen Connector Kit: 0300-027 (Included)*

Pin #	Control Signal
1	Up/Down Constant Switch
2	Anode
3	Cathode
4	Ground
5	Up/Down Momentary Switch
6	Reserved
7	Reserved
8	Reserved
9	Reserved

RS-485 Input

Connector Type: DB9 Male

Pin #	Signal
1	RS-485 GND
2	Reserved
3	Reserved
4	Reserved
5	Reserved
6	Reserved
7	RS-485 A In
8	RS-485 B In
9	Reserved

RS-485 Output

Connector Type: DB9 Female

Pin #	Signal
1	RS-485 GND
2	Reserved
3	Reserved
4	Reserved
5	Reserved
6	Reserved
7	RS-485 A Out
8	RS-485 B Out
9	Reserved

RS-232


Connector Type: DB9 Female

Pin #	Signal
1	Reserved
2	RS232 TX
3	RS232 RX
4	Reserved
5	RS-232 GND
6	Reserved
7	Reserved
8	Reserved
9	Reserved

Notes

* MATING CONNECTOR KIT INCLUDING CONNECTOR, CONTACTS, AND BACKSHELL AVAILABLE FROM ROSEN AVIATION.

THE INFORMATION CONTAINED HEREIN IS PROPRIETARY TO ROSEN AVIATION, LLC. IT SHALL NOT BE REPRODUCED OR DISCLOSED IN WHOLE OR IN PART OR USED FOR ANY DESIGN OR MANUFACTURE EXCEPT WHEN SUCH USER POSSESSES DIRECT, WRITTEN AUTHORIZATION FROM ROSEN AVIATION, LLC. THIS DRAWING MAY BE COVERED UNDER ONE OR MORE U.S. OR INTERNATIONAL PATENTS. PLEASE CONTACT ROSEN AVIATION FOR SPECIFIC INFORMATION.

	1020 OWEN LOOP SOUTH EUGENE, OREGON 97402 TEL: (541) 342-3802 FAX: (541) 342-4912	SIZE DWG NO A 1700-500	REV G
	SCALE NONE SHEET 3 OF 4		

1
Universal Lift Notes (Con't from page 1)

8. Mounting Requirements

Minimum Securing Requirement

Secure the lift by using mounting holes on the back and bottom flange as shown. Fasten the lift to surfaces that are flat and square. On the back, only use flush head fasteners so they don't interfere with the operation of the lift carriage.

Lift carriage will not descend unless monitor is attached.

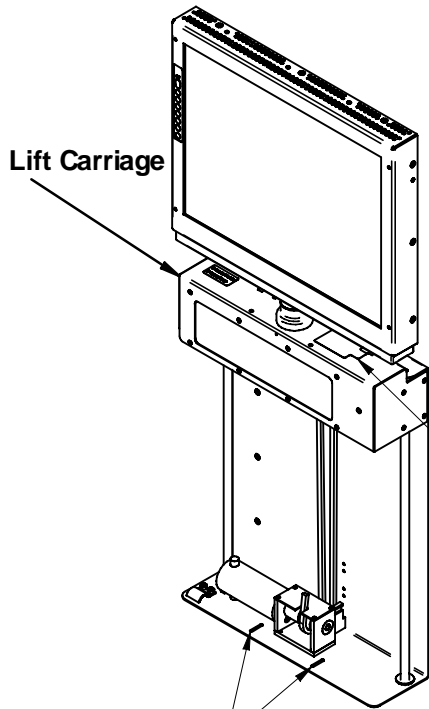
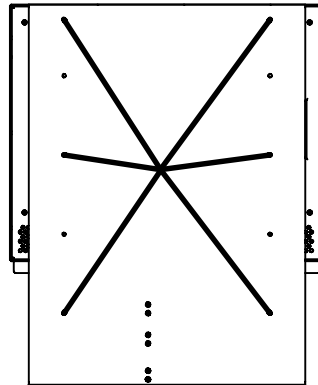
Weight Requirement

Three pounds is the maximum weight that may be added to the monitor or lift carriage.

Disclaimer

Failure to follow the mounting requirements will shorten the life of the Universal Lift and void the warranty.

Minimum Back Mounting Requirements



Location of Manual Stow Label
 Remove label and push lever to manually stow monitor

Mounting slots on bottom flange

2
9. Helpful Tips

Monitor Rotation

The monitor will not stow if it is rotated out of the center position. The default rotation limits are 90° left and right. The rotation may be changed to 45 or 60 degrees left and right by moving the #8-32 socket head screw (Figure 1) and adding a second identical screw to the opposite location. Torque the screws to 18-20 in-lb.

Figure 1

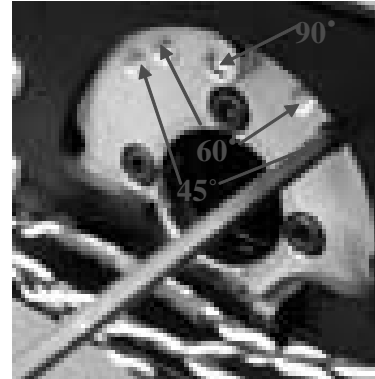
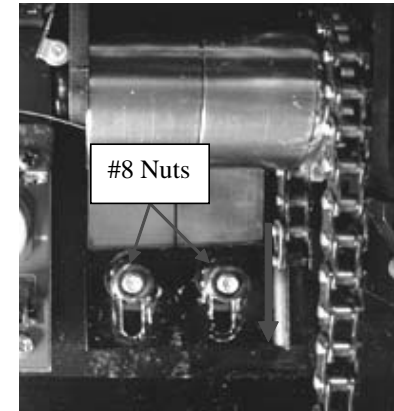


Figure 2



Chain Tensioning

If the chain loses its tension, it may be tightened by loosening the #8-32 nuts (Figure 2) and sliding the latch down

Cabin Management System

RS-485 capability provides the option to connect other Rosen products in series to a cabin management system.

Manually Stow the Universal Lift

The monitor may be stowed manually by removing the label marked "IN CASE OF EMERGENCY" and activating the lever underneath while pushing down on the monitor.

Lift Actuation

The default state for the user switch is momentary. It is changed to constant ground switching by connecting to the harness labeled "RS-232" and accessing the firmware menu using hyperterminal.

THE INFORMATION CONTAINED HEREIN IS PROPRIETARY TO ROSEN AVIATION, LLC. IT SHALL NOT BE REPRODUCED OR DISCLOSED IN WHOLE OR IN PART OR USED FOR ANY DESIGN OR MANUFACTURE EXCEPT WHEN SUCH USER POSSESSES DIRECT, WRITTEN AUTHORIZATION FROM ROSEN AVIATION, LLC. THIS DRAWING MAY BE COVERED UNDER ONE OR MORE U.S. OR INTERNATIONAL PATENTS. PLEASE CONTACT ROSEN AVIATION FOR SPECIFIC INFORMATION.

ROSEN AVIATION	1020 OWEN LOOP SOUTH EUGENE, OREGON 97402 TEL: (541) 342-3802 FAX: (541) 342-4912	SIZE DWG NO A 1700-500	REV G
		SCALE NONE SHEET 4 OF 4	