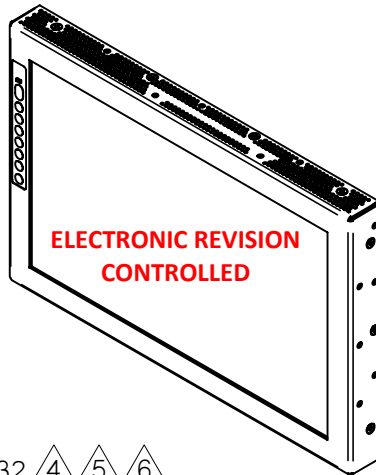
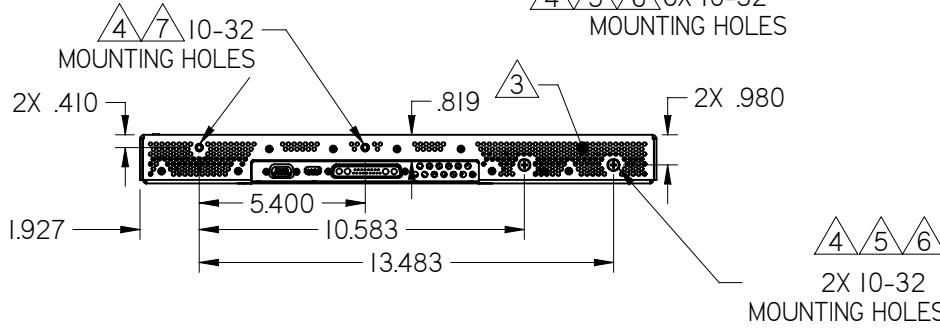
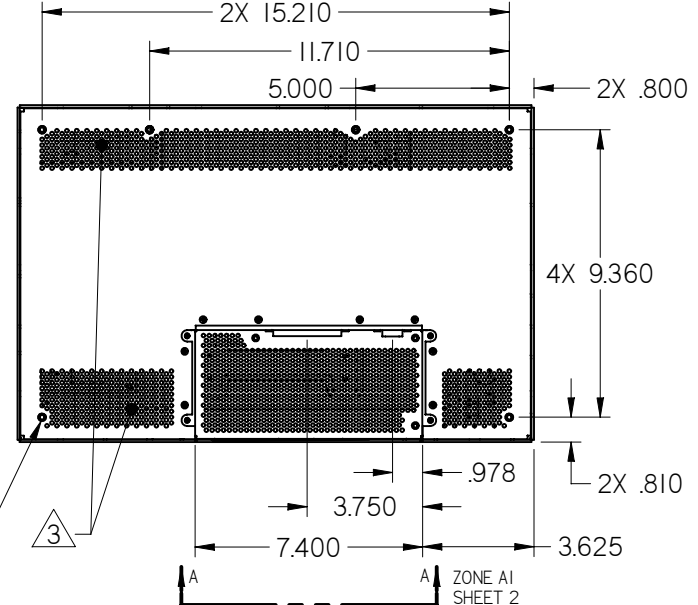
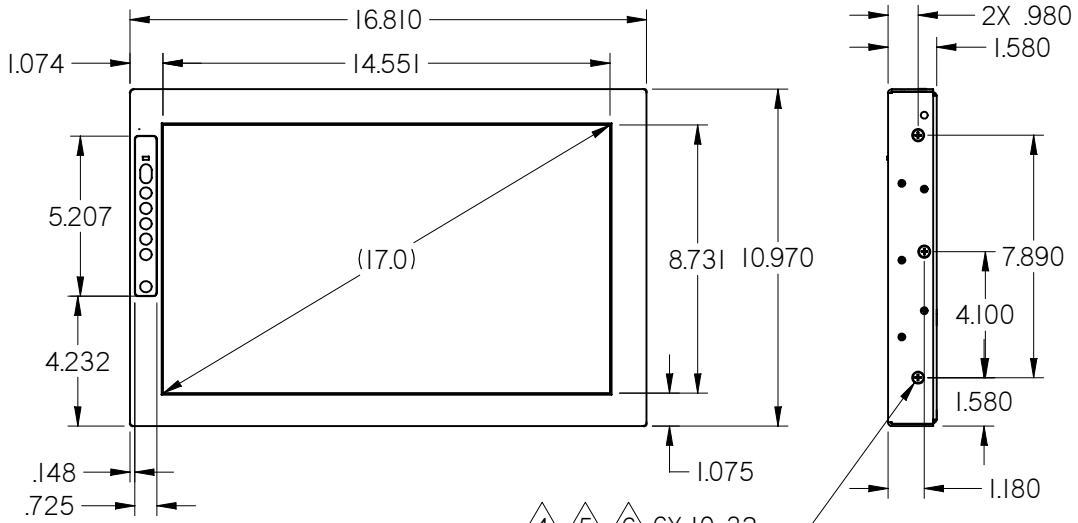
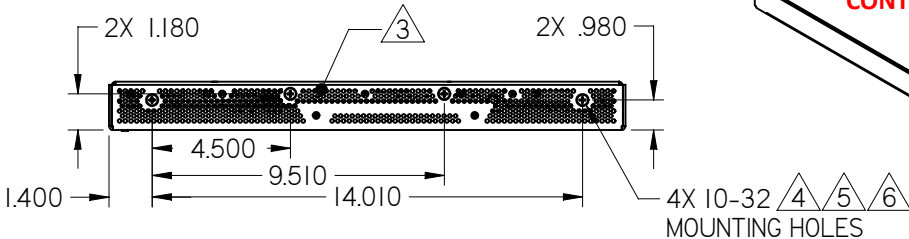
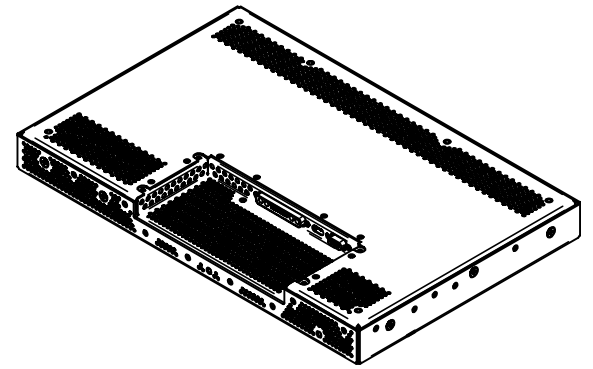


**NOTES:** (unless otherwise specified)

1. COMPONENT WEIGHT: 7.50 LBS. ± 10%
2. LABELS, SHIPPING PACKAGE, AND SOME MINOR PARTS OMITTED FROM DRAWING FOR CLARITY
3. FREE AIR VENTILATION REQUIRED. LEAVE TOP SURFACE VENTS AND EITHER BOTTOM OR BACK SURFACE VENTS UNBLOCKED.
4. MONITOR MUST BE MOUNTED USING ALL MOUNTING HOLES ON REAR SURFACE OR ANY COMBINATION OF TWO SIDES
5. REMOVE #10-32 FLAT HEAD SCREWS AS NEEDED TO ACCESS MOUNTING HOLES - DO NOT REMOVE FASTENER UNLESS REPLACING WITH MOUNTING FASTENER
6. MAX SCREW INSERTION: .38"
7. MAX SCREW INSERTION: .25"
8. CARE MUST BE TAKEN TO KEEP DEBRIS FROM ENTERING VENT HOLES DURING INSTALLATION AND OPERATION



REVISIONS						
ZONE	REV	DESCRIPTION	DATE	BY	CHG NO	APRV
	A	INITIAL DRAWING RELEASE	09/04/08	GJH	EC08325	
pg2	B	ADD NOTE TO CONTROL CONNECTOR	01/06/09	GJH	EC09002	DRF
pg2	C	ADD CAUTION TO EXTERNAL CONTROL	04/20/09	GJH	EC09161	TF
pg2	D	CHG INTERFACE CONN KIT FROM 0300-021	02/17/10	GJH	EC10042	DRF
pg2	F	CHG SCREEN RESOLUTION FROM 1024x768	04/07/10	DE	EC10180	GJH



THE INFORMATION CONTAINED HEREIN IS PROPRIETARY TO ROSEN AVIATION, LLC. IT SHALL NOT BE REPRODUCED OR DISCLOSED IN WHOLE OR IN PART OR IN ANY MANNER FOR ANY DESIGN OR MANUFACTURE EXCEPT WHEN SUCH USER POSSESSES DIRECT, WRITTEN AUTHORIZATION FROM ROSEN AVIATION. THIS DRAWING MAY BE COVERED UNDER ONE OR MORE U.S. OR INTERNATIONAL PATENTS. PLEASE CONTACT ROSEN AVIATION FOR SPECIFIC INFORMATION.

**ROSEN AVIATION**  
 1020 OWEN LOOP SOUTH  
 EUGENE, OREGON 97402  
 TEL: (541) 342-3802 FAX: (541) 342-4912

APPROVALS	INITIAL	DATE
DRAWN BY	GJH	08/27/08
CHECKER	DRF	08/28/08
ENGINEER	GJH	08/28/08

TITLE  
**OUTLINE & INSTALLATION DRAWING,  
 17" WIDESCREEN**

DWG NO  
 1701-001-CD

FIRST CALLED FOR: (FCF)

SIZE	REV
A	F

UNLESS OTHERWISE SPECIFIED DIMENSIONS ARE IN INCHES  
 .X = ± .1  
 .XX = ± .03  
 ∠ = ± 5.0°  
 RADI = ± .020  
 INTERPRET DIM AND TOL PER ASME Y14.5M - 1994

SCALE	N.T.S.	SHEET	1 OF 2
-------	--------	-------	--------

REFER TO [www.rosenaviation.com](http://www.rosenaviation.com) FOR THE LATEST REVISION INFORMATION.

## Performance Specifications *(reference)*

### LCD Performance

Screen Resolution (pixels)	1280 w X 768 h
Video Standards supported	NTSC, PAL, SECAM, RS-170(B&W)
Graphics Standards supported	VGA through WXGA
Display Viewing Area (in)	14.55 x 8.73
Horizontal Viewing Angle CR>10	±85°
Vertical Viewing Angle CR>10	±85°
Contrast Ratio (Typical)	600:1
Backlight Lamp Life	25,000 hours
Screen Brightness	350 cd/m2 min (450 typical)

### Power Requirements

Nominal Voltage/Current	28VDC 1.68A
Inrush Current	32 A @ 400µsec
Op voltage Range	18-32VDC
Maximum Current Draw	2.61A
Power Consumption	47 W Nominal

### Environmental Specifications

Operating Temperature	0°C - 50°C
Altitude	15,000 ft
Humidity	95% RH
Vibration	1.48 grms
Power Input	DO-160D Cat AB
Voltage Spike	DO-160D Cat B
Induced Signal Susceptibility	DO-160D Cat Z
RF Susceptibility	DO-160D Cat T
Emission of RF Energy	DO-160D Cat B

## Main Interface Connector

Connector Type: Combo-D 21WA4 Male  
 ITT Cannon DCMC-21CA4PJ-K87  
 Mate: ITT Cannon DCA21WA4SA197F0  
 Video Contacts: 75 Ohm Size 8 Coaxial,  
 ITT Cannon D130344-1  
 Backshell: 3M 3357-9237  
 Rosen Connector Kit: 0300-034 (included)

Pin #	Monitor signal
1	28V Return
2	+28V
3	IR +5V
4	IR Signal
5	Reserved
6	RGB/Video Select (TTL)
7	Status Output (TTL)
8	Hsync
9	Vsync
10	28V Return
11	28V
12	IR Ground
13	Computer Sync Ground
14	Reserved
15	Digital Ground
16	Digital Ground
17	Digital Ground
A1-signal	Red
A1-shield	Red Return
A2-signal	Green
A2-shield	Green Return
A3-signal	Blue
A3-shield	Blue Return
A4-signal	Composite Video
A4-shield	Comp Video Return
Shell	Chassis Ground

## External Control Connector

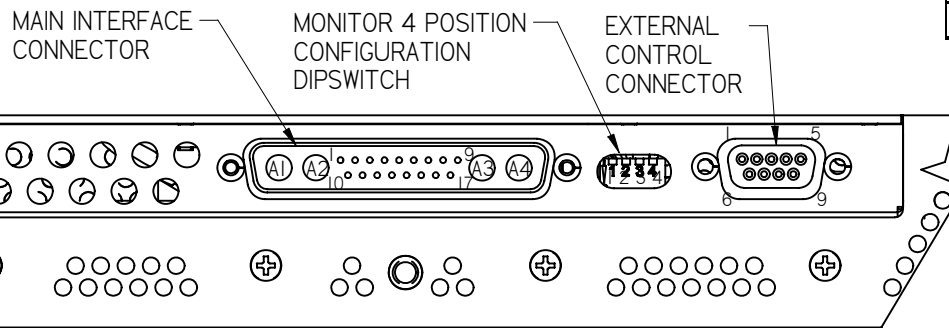
Connector Type: DB9 Male  
 Power Dynamics PDF-  
 Mate: Positronic SD9F0000Z  
 Backshell: Positronic D90000GEO\*  
 Rosen Connector Kit: 0300-022

Pin #	Control Signal
1	Display On/Off
2	Source Select
3	NC
4	Up
5	Down
6	Menu/Select
7	Left
8	Right
9	Ground

CAUTION: Signals on this connector are momentary ground only. Do not exceed 5VDC on any pin.

## Configuration Dipswitch Settings

SW 1	SW 2	SW 3	SW 4	Function
On	Off	-	-	Constant Ground Switching: Monitor displays RGB when pin 6 of main interface connector is held to ground. Monitor displays composite video when pin 6 is high.
Off	On	-	-	Momentary Ground Switching: Pin 6 of main interface connector toggles display between composite/RGB on transition to low. Monitor recalls last setting at power up.
Off	Off	-	-	Manual Mode. In this mode all button pushes are sent to the OSD. No OSD menu features are locked out.
On	On	-	-	Autodetect: When Hsync is detected the monitor will switch to RGB input. Hsync present assumes that RGB is present.
-	-	Off		Monitor defaults to Off state when power applied.
-	-	On		Monitor defaults to On state when power applied.
-	-	-	Off	Membrane Switch Disabled.
-	-	-	On	Membrane Switch Enabled.



SECTION A-A

## Notes: (cont. from pg1)

\*9. MATING CONNECTOR KIT INCLUDING CONNECTOR, CONTACTS AND BACKSHELL.

THE INFORMATION CONTAINED HEREIN IS PROPRIETARY TO ROSEN AVIATION, LLC. IT SHALL NOT BE REPRODUCED OR DISCLOSED IN WHOLE OR IN PART OR USED FOR ANY DESIGN OR MANUFACTURE EXCEPT WHEN SUCH USER POSSESSES DIRECT, WRITTEN AUTHORIZATION FROM ROSEN AVIATION, LLC. THIS DRAWING MAY BE COVERED UNDER ONE OR MORE U.S. OR INTERNATIONAL PATENTS. PLEASE CONTACT ROSEN AVIATION FOR SPECIFIC INFORMATION.			
<b>ROSEN AVIATION</b>		1020 OWEN LOOP SOUTH EUGENE, OREGON 97402 TEL: (541) 342-3802 FAX: (541) 342-4912	SIZE DWG NO A 1701-001-CD SCALE NONE SHEET 2 OF 2