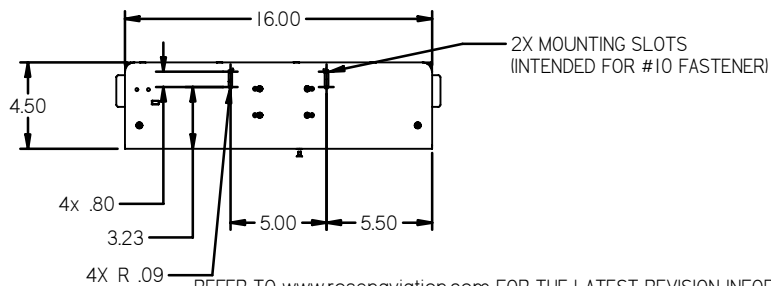
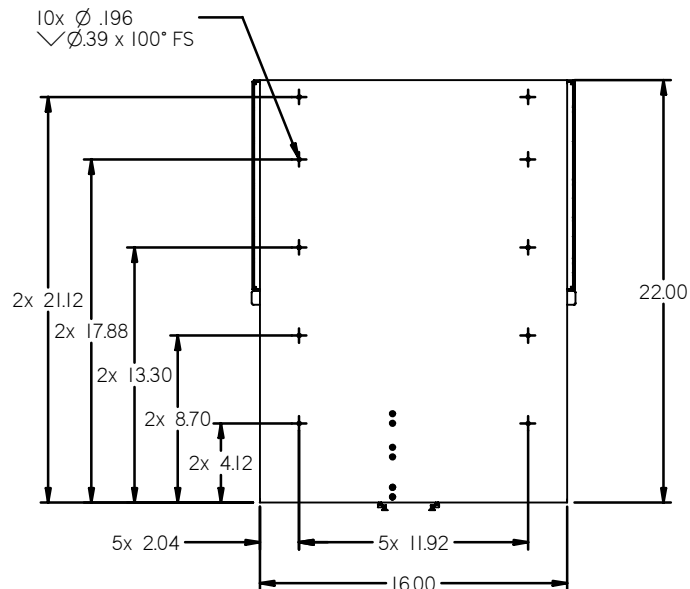
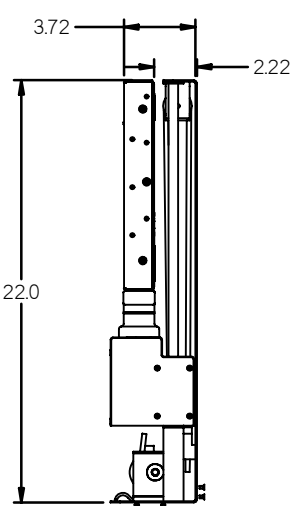
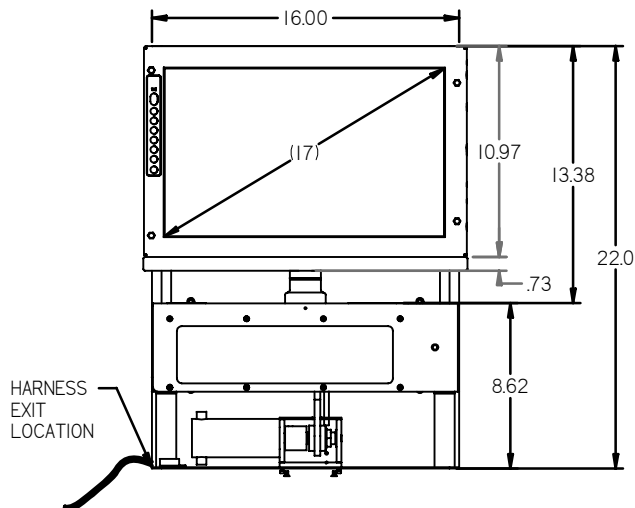
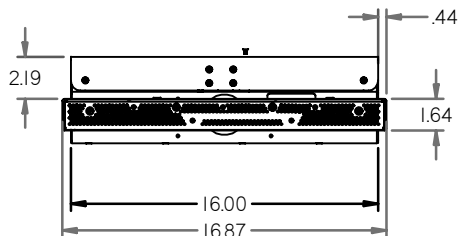
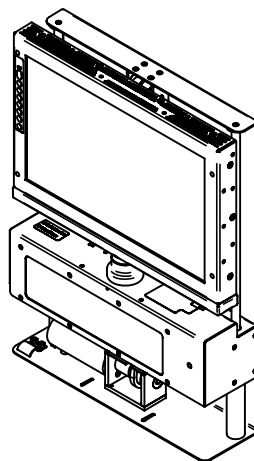


NOTES: (unless otherwise specified)

1. ASSEMBLY WEIGHT: 23.1 LBS. ± 10%
2. HARNESS LENGTH: 12" ±2"
3. DO NOT PLUG OR UNPLUG MONITOR WHEN POWER IS APPLIED
4. OBSERVE ESD SAFE HANDLING PRACTICES
5. FREE AIR VENTILATION OF MONITOR REQUIRED DURING OPERATION  
LEAVE PERFORATED VENT AREAS ON THE TOP SURFACE AND EITHER THE BOTTOM OR BACK SURFACE UNBLOCKED FOR VENTILATION
6. CARE MUST BE TAKEN TO KEEP DEBRIS FROM ENTERING VENT HOLES DURING INSTALLATION AND OPERATION

REVISIONS						
ZONE	REV	DESCRIPTION	DATE	BY	CHG NO	APRV
	A	INITIAL DRAWING RELEASE	05/20/09	GJH	EC09081	
	B	CHG SCREEN RESOLUTION FROM 1024x768	04/07/10	DE	EC10180	GJH

**ELECTRONIC REVISION  
CONTROLLED**



REFER TO [www.rosenaviation.com](http://www.rosenaviation.com) FOR THE LATEST REVISION INFORMATION.

THE INFORMATION CONTAINED HEREIN IS PROPRIETARY TO ROSEN AVIATION, LLC. IT SHALL NOT BE REPRODUCED OR DISCLOSED IN WHOLE OR IN PART OR USED FOR ANY DESIGN OR MANUFACTURE EXCEPT WHEN SUCH USER POSSESSES DIRECT, WRITTEN AUTHORIZATION FROM ROSEN AVIATION. THIS DRAWING MAY BE COVERED UNDER ONE OR MORE U.S. OR INTERNATIONAL PATENTS. PLEASE CONTACT ROSEN AVIATION FOR SPECIFIC INFORMATION.

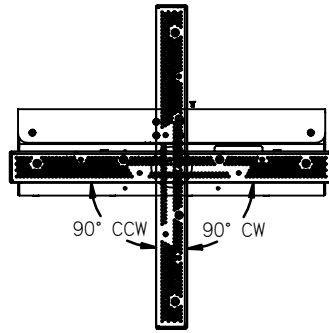
<b>Rosen AVIATION</b>		1020 OWEN LOOP SOUTH EUGENE, OREGON 97402 TEL: (541) 342-3802 FAX: (541) 342-4912	
APPROVALS	INITIAL	DATE	
DRAWN BY	GJH	03/04/09	
CHECKER	SC	05/20/09	
ENGINEER	DRF	05/20/09	
DWG NO 1701-500-CD			
SIZE A		REV B	
SCALE	N.T.S.	SHEET	1 OF 4

UNLESS OTHERWISE SPECIFIED DIMENSIONS ARE IN INCHES  
 .X = ± .2  
 .XX = ± .1  
  
 ± 5.0°  
 INTERPRET DIM AND TOL PER ASME Y14.5M - 1994

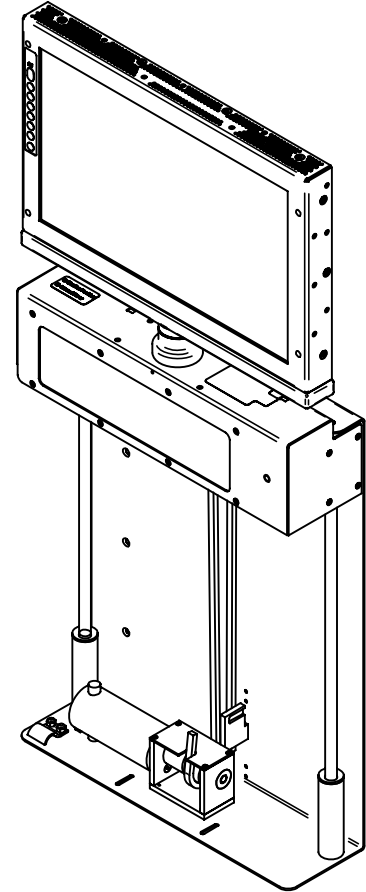
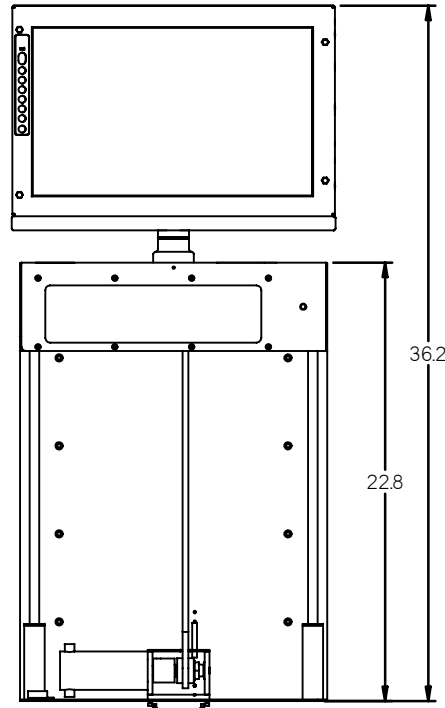
TITLE  
**OUTLINE & INSTALLATION DRAWING,  
 17" WIDESCREEN, ON  
 UNIVERSAL LIFT**  
 FIRST CALLED FOR: (FCF)

1

2



MONITOR ROTATION



THE INFORMATION CONTAINED HEREIN IS PROPRIETARY TO ROSEN AVIATION, LLC. IT SHALL NOT BE REPRODUCED OR DISCLOSED IN WHOLE OR IN PART OR USED FOR ANY DESIGN OR MANUFACTURE EXCEPT WHEN SUCH USER POSSESSES DIRECT, WRITTEN AUTHORIZATION FROM ROSEN AVIATION, LLC. THIS DRAWING MAY BE COVERED UNDER ONE OR MORE U.S. OR INTERNATIONAL PATENTS. PLEASE CONTACT ROSEN AVIATION FOR SPECIFIC INFORMATION.

<b>ROSEN</b> AVIATION	1020 OWEN LOOP SOUTH EUGENE, OREGON 97402 TEL: (541) 342-3802 FAX: (541) 342-4912	SIZE A	DWG NO 1701-500-CD	REV B
		SCALE NONE	SHEET 2 OF 4	

1

2

## Performance Specifications

### LCD Performance

Screen Resolution (pixels)	1280 w X 768 h
Video Standards supported	NTSC, PAL, SECAM, RS-170(B&W)
Graphics Standards supported	VGA through WXGA
Display Viewing Area (in)	14.55 x 8.73
Horizontal Viewing Angle CR>10	±85°
Vertical Viewing Angle CR>10	±85°
Contrast Ratio (Typical)	600:1
Backlight Lamp Life	25,000 hours
Screen Brightness	350 cd/m2 min (450 typical)

### Power Requirements

Nominal Voltage/Current	28VDC 1.68A
Inrush Current	32 A @ 400µsec
Op voltage Range	18-32VDC
Maximum Current Draw	2.61A
Power Consumption	47 W Nominal

### Environmental Specifications

Operating Temperature	0°C - 50°C
Altitude	15,000 ft
Humidity	95% RH
Vibration	1.48 grms
Power Input	DO-160D Cat AB
Voltage Spike	DO-160D Cat B
Induced Signal Susceptibility	DO-160D Cat Z
RF Susceptibility	DO-160D Cat T
Emission of RF Energy	DO-160D Cat B

## Main Interface Connector

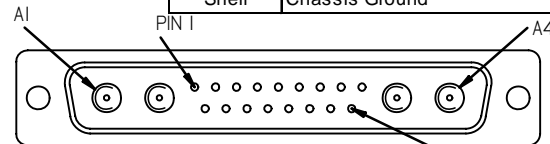
Connector Type: Combo-D 21WA4 Male

Mate: ITT Cannon DCA21WA4SA197F0  
Video Contacts: 75 Ohm Size 8 Coaxial,  
ITT Cannon D130344-1

Backshell: Positronic D37000GEO-1023.0

Rosen Connector Kit: 0300-034 (Included)\*

Pin #	Monitor signal
1	28V return
2	+28V
3	IR +5V
4	IR Signal
5	Reserved
6	RGB/Video Select (TTL)
7	Status Output (TTL)
8	Hsync
9	Vsync
10	28V Return
11	28V
12	IR Ground
13	Computer Sync Ground
14	Reserved
15	Digital Ground
16	Digital Ground
17	Digital Ground
A1-signal	Red
A1-shield	Red Return
A2-signal	Green
A2-shield	Green Return
A3-signal	Blue
A3-shield	Blue Return
A4-signal	Composite Video
A4-shield	Composite Video Return
Shell	Chassis Ground



Main Interface Connector  
Combo-D 21WA4 Male

## Lift Control Interface

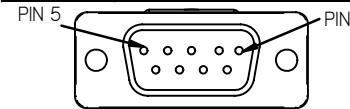
Connector Type: DB9 Female  
Labeled "USER SWITCH"

Mate: Positronic SD9M000Z

Backshell: Positronic D90000GEO

Rosen Connector Kit: 0300-027 (Included)\*

Pin #	Control Signal
1	Up/Down Constant Switch
2	Anode
3	Cathode
4	Ground
5	Up/Down Momentary Switch
6	Reserved
7	Reserved
8	Reserved
9	Reserved

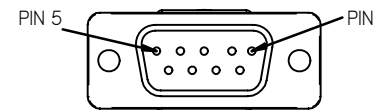


Lift Control Interface DB9 Female

### RS-232

Connector Type: DB9 Female

Pin #	Signal
1	Reserved
2	RS232 TX
3	RS232 RX
4	Reserved
5	RS-232 GND
6	Reserved
7	Reserved
8	Reserved
9	Reserved

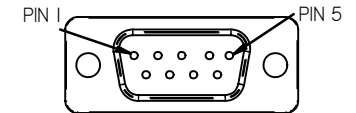


RS-232 DB9 Female

## RS-485 Input

Connector Type: DB9 Male

Pin #	Signal
1	RS-485 GND
2	Reserved
3	Reserved
4	Reserved
5	Reserved
6	Reserved
7	RS-485 A In
8	RS-485 B In
9	Reserved

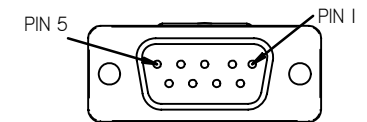


RS-485 Input DB9 Male

### RS-485 Output

Connector Type: DB9 Female

Pin #	Signal
1	RS-485 GND
2	Reserved
3	Reserved
4	Reserved
5	Reserved
6	Reserved
7	RS-485 A Out
8	RS-485 B Out
9	Reserved



RS-485 DB9 Female

## Notes

7\* MATING CONNECTOR KIT INCLUDING CONNECTOR, CONTACTS, AND BACKSHELL AVAILABLE FROM ROSEN AVIATION.

THE INFORMATION CONTAINED HEREIN IS PROPRIETARY TO ROSEN AVIATION, LLC. IT SHALL NOT BE REPRODUCED OR DISCLOSED IN WHOLE OR IN PART OR USED FOR ANY DESIGN OR MANUFACTURE EXCEPT WHEN SUCH USER POSSESSES DIRECT, WRITTEN AUTHORIZATION FROM ROSEN AVIATION, LLC. THIS DRAWING MAY BE COVERED UNDER ONE OR MORE U.S. OR INTERNATIONAL PATENTS. PLEASE CONTACT ROSEN AVIATION FOR SPECIFIC INFORMATION.

**ROSEN**  
AVIATION

1020 OWEN LOOP SOUTH  
EUGENE, OREGON 97402  
TEL: (541) 342-3802 FAX: (541) 342-4912

SIZE	DWG NO	REV
A	1701-500-CD	B
SCALE	NONE	SHEET 3 OF 4

### Universal Lift Notes (Con't from page 1)

#### 8. Mounting Requirements

##### Minimum Securing Requirement

Secure the lift by using mounting holes on the back and bottom flange as shown. Fasten the lift to surfaces that are flat and square. On the back, only use flush head fasteners so they don't interfere with the operation of the lift carriage.

Lift carriage will not descend unless monitor is attached

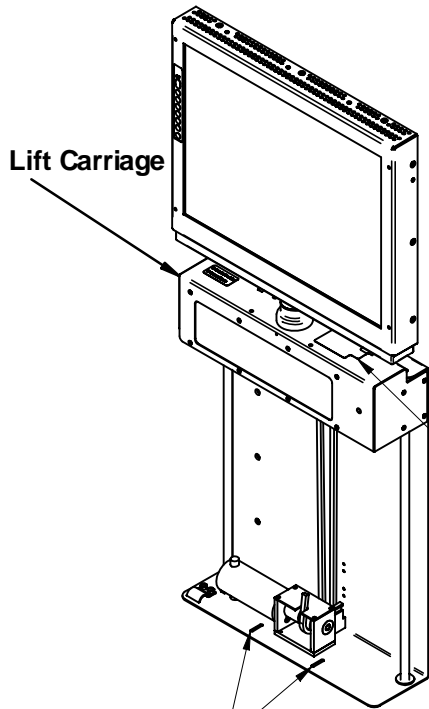
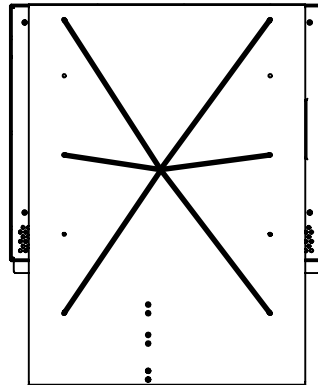
##### Weight Requirement

Three pounds is the maximum weight that may be added to the monitor or lift carriage.

##### Disclaimer

Failure to follow the mounting requirements will shorten the life of the Universal Lift and void the warranty.

#### Minimum Back Mounting Requirements



Location of Manual Stow Label  
Remove label and push lever  
to manually stow monitor

Mounting slots on bottom flange

#### 9. Helpful Tips

##### Monitor Rotation

The monitor will not stow if it is rotated out of the center position. The default rotation limits are 90° left and right. The rotation may be changed to 45 or 60 degrees left and right by moving the #8-32 socket head screw (Figure 1) and adding a second identical screw to the opposite location. Torque the screws to 18-20 in-lb.

Figure 1

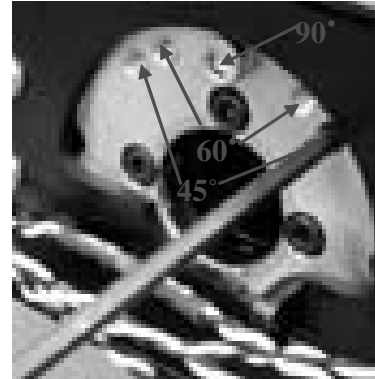
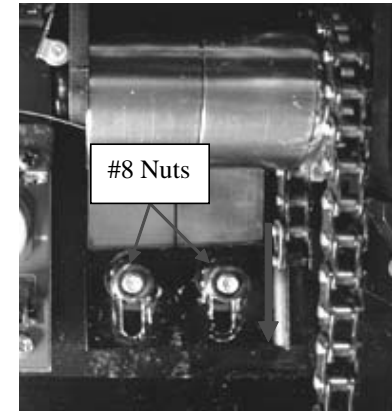


Figure 2



##### Chain Tensioning

If the chain loses its tension, it may be tightened by loosening the #8-32 nuts (Figure 2) and sliding the latch down

##### Cabin Management System

RS-485 capability provides the option to connect other Rosen products in series to a cabin management system.

##### Manually Stow the Universal Lift

The monitor may be stowed manually by removing the label marked "IN CASE OF EMERGENCY" and activating the lever underneath while pushing down on the monitor.

##### Lift Actuation

The default state for the user switch is momentary. It is changed to constant ground switching by connecting to the harness labeled "RS-232" and accessing the firmware menu using hyperterminal.

THE INFORMATION CONTAINED HEREIN IS PROPRIETARY TO ROSEN AVIATION, LLC. IT SHALL NOT BE REPRODUCED OR DISCLOSED IN WHOLE OR IN PART OR USED FOR ANY DESIGN OR MANUFACTURE EXCEPT WHEN SUCH USER POSSESSES DIRECT, WRITTEN AUTHORIZATION FROM ROSEN AVIATION, LLC. THIS DRAWING MAY BE COVERED UNDER ONE OR MORE U.S. OR INTERNATIONAL PATENTS. PLEASE CONTACT ROSEN AVIATION FOR SPECIFIC INFORMATION.

ROSEN AVIATION	1020 OWEN LOOP SOUTH EUGENE, OREGON 97402 TEL: (541) 342-3802 FAX: (541) 342-4912	SIZE DWG NO A 1701-500-CD	REV B
	SCALE NONE SHEET 4 OF 4		