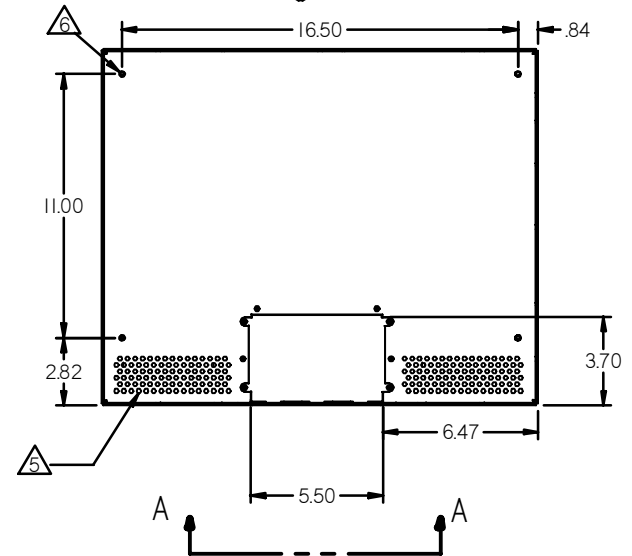
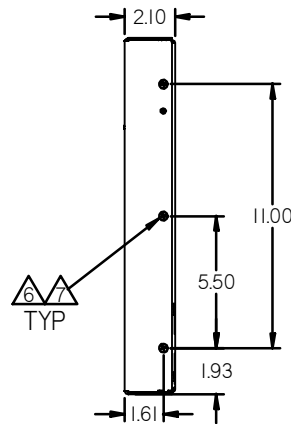
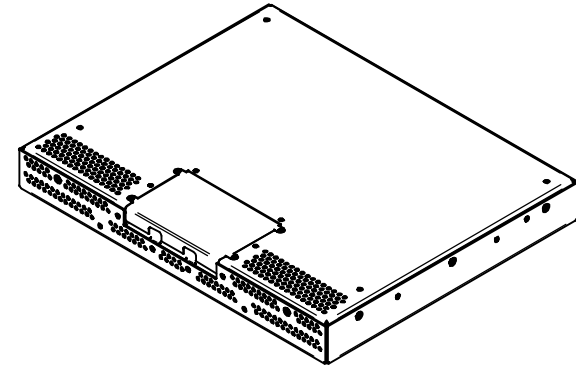
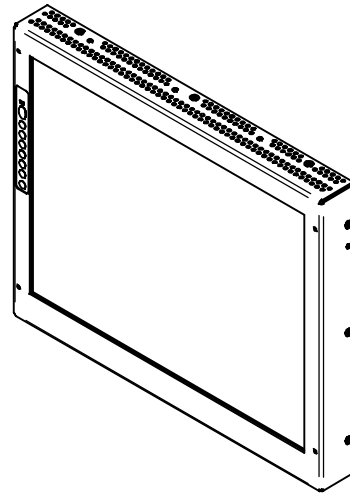
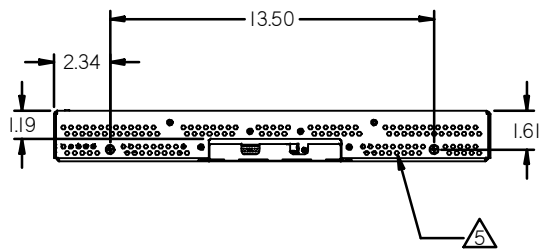
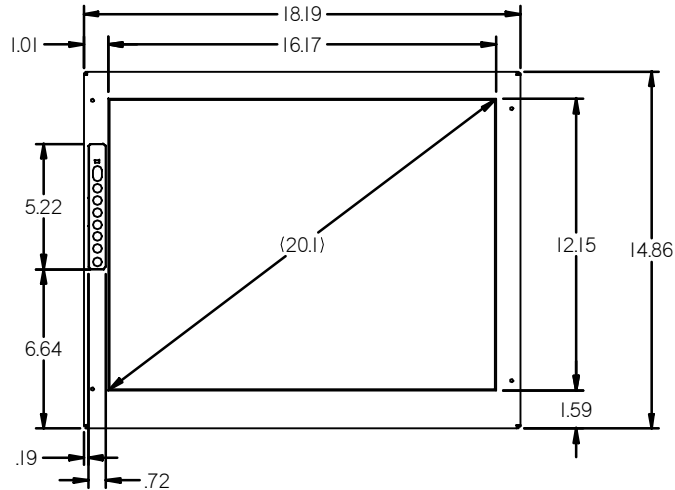
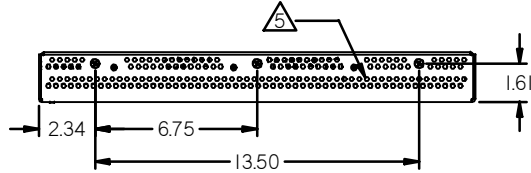


NOTES: (unless otherwise specified)

1. MATERIALS: SEE SEPARATE BOM.
2. COMPONENT WEIGHT: 13.65 LBS W/O CONNECTOR KIT.
3. OBSERVE ESD SAFE HANDLING PRACTICES
4. LABELS, SHIPPING PACKAGE, AND SOME MINOR PARTS OMITTED FROM DRAWING FOR CLARITY
- △ FREE AIR VENTILLATION REQUIRED. LEAVE PERFORATED VENT AREAS ON THE TOP SURFACE AND EITHER THE BOTTOM OR THE BACK SURFACE UNBLOCKED FOR VENTILATION. ONE INCH MINIMUM CLEARANCE TO ANY BAFFLES OR BENDS IN DUCTING. ANY VENT PATTERNS ABOVE OR BELOW MONITOR MUST HAVE 5.5 SQUARE INCHES OF OPEN AREA
- △ MONITOR MUST BE MOUNTED USING ALL MOUNTING HOLES ON 2 SIDES OR ALL MOUNTING HOLES ON TOP AND BOTTOM OR ALL MOUNTING HOLES ON REAR AS A MINIMUM
- △ REMOVE #10-32 X 5/16" FLAT HEAD SCREWS AS NEEDED TO ACCESS MOUNTING HOLES
8. MAX SCREW INSERTION .50" REAR, .75" SIDES, TOP & BOTTOM
9. CARE MUST BE TAKEN TO KEEP DEBRIS FROM ENTERING VENT HOLES DURING INSTALLATION AND OPERATION



REVISIONS						
ZONE	REV	DESCRIPTION	DATE	BY	CO NO	APRV
-	A	INITIAL RELEASE	11/05/02	JAW	02490	-
-	B	ADDED TOL, CHG NOTES, RENUMBERED DWG	10/20/03	GJH	03190c	JW
-	C	UPDATE DWG STD'S, CORRECT DETAIL	10/04/04	GJH	04287	JW
A1		VIEW A - A ON pg 2				

THE INFORMATION CONTAINED HEREIN IS PROPRIETARY TO ROSEN AVIATION DISPLAYS. IT SHALL NOT BE REPRODUCED OR DISCLOSED IN WHOLE OR IN PART OR USED FOR ANY DESIGN OR MANUFACTURE EXCEPT WHEN SUCH USER POSSESSES DIRECT, WRITTEN AUTHORIZATION FROM ROSEN AVIATION DISPLAYS. THIS DRAWING MAY BE COVERED UNDER ONE OR MORE U.S. OR INTERNATIONAL PATENTS, PLEASE CONTACT ROSEN AVIATION DISPLAYS FOR SPECIFIC INFORMATION.



ROSEN AVIATION DISPLAYS, LLC
 1020 OWEN LOOP SOUTH EUGENE, OREGON 97402
 TEL: (541) 342-3802 FAX: (541) 342-4912

UNLESS OTHERWISE SPECIFIED DIMENSIONS ARE IN INCHES .XX = ± .1 .XXX = ± .03 = ± .5"	APPROVALS	INITIAL	DATE	TITLE			
	DRAWN BY	CT	06/19/02	20" SLIMLINE MONITOR BULKHEAD	SIZE	A	
	CHECKER	DK	11/06/02		DWG NO	2002-001	REV
	ENGINEER	JES	11/05/02	SCALE	1:8	SHEET	1 OF 2
PRODUCTION	DB	11/07/02					
QUALITY	PSO	11/11/02					

FOR REFERENCE ONLY

Performance Specifications (Reference)

LCD Performance	
Screen Resolution (pixels)	1600 w X 1200 h
Video Standards supported	NTSC, PAL, SECAM
Graphics Standards	VGA through UXGA
Display Viewing Area (mm)	408 x 306
Horizontal Viewing Angle	±80°
Vertical Viewing Angle	±80°
Contrast Ratio	500:1
Backlight Lamp Life	50,000 hours
Screen Brightness	200 cd/m ² min

Power Requirements	
Nominal Voltages	28VDC
Nominal Power	65 W

Environmental Specifications	
Operating Temperature	0°C - 50°C
Altitude	15,000ft
Humidity	95%RH
Vibration	1.48 grms
Power Input	DO-160D Cat AB
Radio Frequency	DO-160D Cat TTX
Emission of RF Energy	DO-160D Cat M

Reliability (MTBF Prediction)	2584 Hours
-------------------------------	------------

Main Interface Connector

Connector Type: Combo-D 21WA4 Male
ITT Cannon DCMC-21CA4PJ-K87
Mate: ITT Cannon DCA21WA4SA197F0
Video Contacts: 75 Ohm Size 8 Coaxial,
ITT Cannon D130344-1
Backshell: Positronic D37000GEO-1023.0
Rosen Connector Kit: 0300-021*

Pin #	Monitor signal
1	28V return
2	28V
3	IR +5V
4	IR Signal
5	Reserved
6	RGB/Video Select (TTL)
7	Status Output (TTL)
8	Hsync
9	Vsync
10	28V Return
11	28V
12	IR GND
13	Computer Sync GND
14	Reserved
15	Digital GND
16	Digital GND
17	Digital GND
A1-signal	Red
A1-shield	Red return
A2-signal	Green
A2-shield	Green return
A3-signal	Blue
A3-shield	Blue return
A4-signal	Composite (NTSC) Video
A4-shield	Comp Video Return
Shell	Chassis Ground

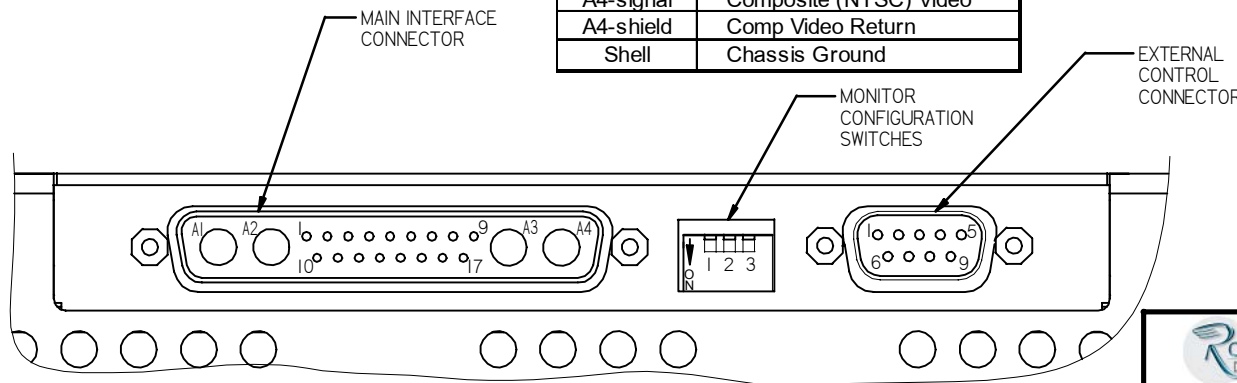
External Control Connector**

Pin #	Control Signal
1	Power On/Off
2	Source Select
3	NC
4	Exit
5	PIP
6	Menu/Select
7	Up
8	Down
9	Ground

FOR REFERENCE ONLY

Configuration Dipswitch Settings

SW1	SW2	SW3	Function
On	Off	-	Constant Ground Switching: Monitor displays RGB when pin 6 of Main Interface Connector is held to ground. Monitor displays composite video when pin 6 is held to logic high.
Off	On	-	Momentary Ground Switching: Pin 6 of main interface connector toggles display between composite/RGB on transition to low. Monitor recalls last setting at power up.
Off	Off	-	Autodetect: When Hsync is detected the monitor will switch to RGB input. Hsync present assumes that RGB is present.
On	On	-	Autodetect
-	-	Off	Monitor defaults to Off state when power applied.
-	-	On	Monitor defaults to On state when power applied.



Notes

* MATING CONNECTOR KIT INCLUDING CONNECTOR, CONTACTS, AND BACKSHELL AVAILABLE FROM ROSEN AVIATION DISPLAYS.

** EXTERNAL CONTROLLER PART NUMBER 0300-405 SOLD SEPARATELY SUPPORTS THIS PANEL.

		ROSEN AVIATION DISPLAYS, LLC 1020 OWEN LOOP SOUTH EUGENE, OREGON 97402 TEL: (541) 342-3802 FAX: (541) 342-4912	
THE INFORMATION CONTAINED HEREIN IS PROPRIETARY TO ROSEN AVIATION DISPLAYS. IT SHALL NOT BE REPRODUCED OR DISCLOSED IN WHOLE OR IN PART OR USED FOR ANY DESIGN OR MANUFACTURE EXCEPT WHEN SUCH USER POSSESSES DIRECT, WRITTEN AUTHORIZATION FROM ROSEN AVIATION DISPLAYS. THIS DRAWING MAY BE COVERED UNDER ONE OR MORE U.S. OR INTERNATIONAL PATENTS. PLEASE CONTACT ROSEN AVIATION DISPLAYS FOR SPECIFIC INFORMATION.		SCALE NONE	SHEET 2 OF 2

VIEW A-A