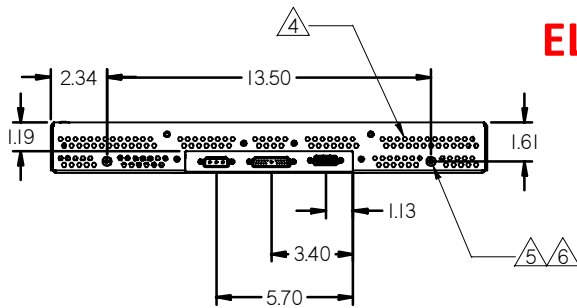
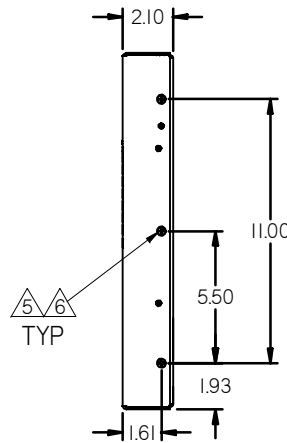
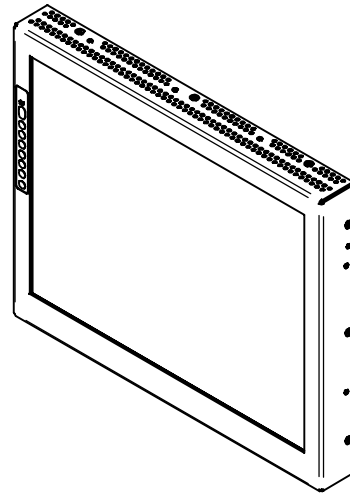
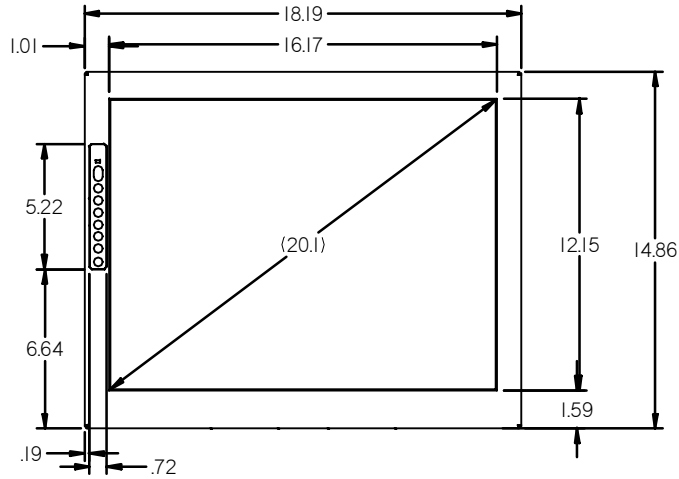
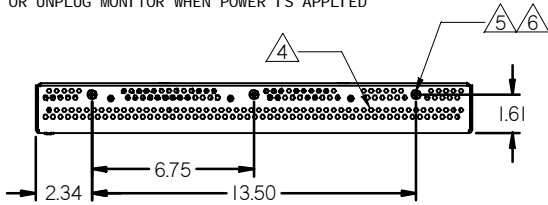


NOTES: (unless otherwise specified)

1. COMPONENT WEIGHT: 12.85 LBS ±10% w/o CONNECTOR KIT
2. OBSERVE ESD SAFE HANDLING PRACTICES
3. LABELS, SHIPPING PACKAGE, AND SOME MINOR PARTS OMITTED FROM DRAWING FOR CLARITY
4. FREE AIR VENTILATION REQUIRED. LEAVE PERFORATED VENT AREAS ON THE TOP SURFACE AND EITHER THE BOTTOM OR THE BACK SURFACE UNBLOCKED FOR VENTILATION. ONE INCH (1") MINIMUM CLEARANCE TO ANY BAFFLES OR BENDS IN DUCTING. ANY VENT PATTERNS ABOVE OR BELOW MONITOR MUST HAVE 5.5 SQUARE INCHES OF OPEN AREA
5. MONITOR MUST BE MOUNTED USING ALL MOUNTING HOLES ON 2 SIDES OR ALL MOUNTING HOLES ON TOP AND BOTTOM OR ALL MOUNTING HOLES ON REAR AS A MINIMUM
6. REMOVE #10-32 X 5/16" FLAT HEAD SCREWS AS NEEDED TO ACCESS MOUNTING HOLES
7. MAX SCREW INSERTION .50" REAR, .75" SIDES, TOP & BOTTOM
8. CARE MUST BE TAKEN TO KEEP DEBRIS FROM ENTERING VENT HOLES DURING INSTALLATION AND OPERATION
9. DO NOT PLUG OR UNPLUG MONITOR WHEN POWER IS APPLIED

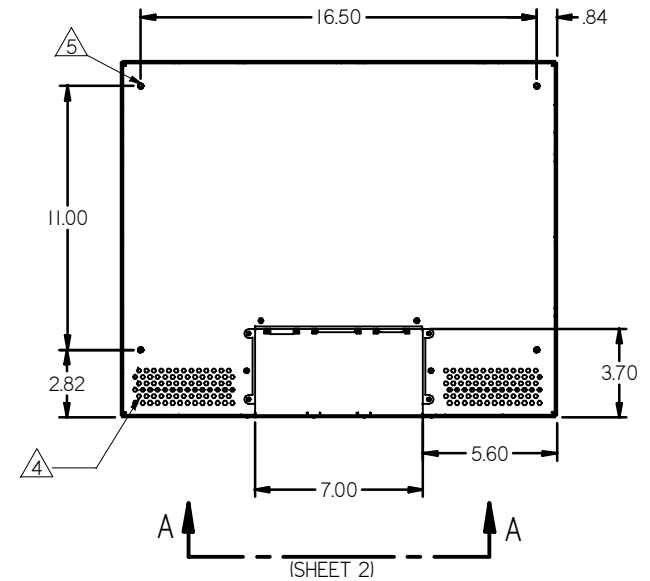
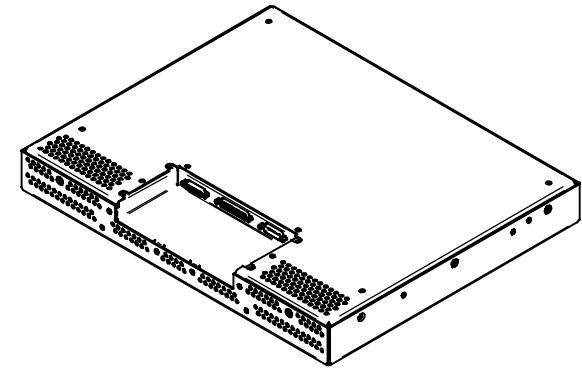


ELECTRONIC REVISION CONTROLLED

REFER TO www.rosenaviation.com FOR THE LATEST REVISION INFORMATION.

REVISIONS

ZONE	REV	DESCRIPTION	DATE	BY	CHG NO	APRV
	A	INITIAL DRAWING RELEASE	06/27/07	GJH	ECO7230	
	B	UPDATE TO ELIMINATE ACCESS COVER	09/03/09	GJH	ECO9357	DRF



THE INFORMATION CONTAINED HEREIN IS PROPRIETARY TO ROSEN AVIATION, LLC. IT SHALL NOT BE REPRODUCED OR DISCLOSED IN WHOLE OR IN PART OR USED FOR ANY DESIGN OR MANUFACTURE EXCEPT WHEN SUCH USER POSSESSES DIRECT, WRITTEN AUTHORIZATION FROM ROSEN AVIATION. THIS DRAWING MAY BE COVERED UNDER ONE OR MORE U.S. OR INTERNATIONAL PATENTS. PLEASE CONTACT ROSEN AVIATION FOR SPECIFIC INFORMATION.

ROSEN AVIATION 1020 OWEN LOOP SOUTH
EUGENE, OREGON 97402
TEL: (541) 342-3802 FAX: (541) 342-4912

TITLE
**OUTLINE & INSTALLATION DRAWING,
MONITOR, BULKHEAD**

FIRST CALLED FOR: (FCF)

20" SLIMLINE II

APPROVALS	INITIAL	DATE
DRAWN BY	GJH	06/05/07
CHECKER	SDL	06/06/07
ENGINEER	DRF	06/07/07

DWG NO
2002-002-CD

SIZE	REV
A	B

SCALE 1 : 8 SHEET 1 OF 2

UNLESS OTHERWISE SPECIFIED DIMENSIONS ARE IN INCHES

XX = ± .1
.XXX = ± .03

∠ = ± .5°

INTERPRET DIM AND TOL PER ASME Y14.5M - 1994

Performance Specifications (Reference)

LCD Performance	
Screen Resolution (pixels)	1600 w X 1200 h
Video Standards supported	NTSC, PAL, SECAM, RS170
Graphics Standards	VGA through UXGA
Display Viewing Area (mm)	408 x 306
Horizontal Viewing Angle	±85°
Vertical Viewing Angle	±85°
Contrast Ratio	600:1 TYP
Backlight Lamp Life	50,000 hours
Screen Brightness	300 cd/m ² TYP

Power Requirements	
Nominal Voltage/Current	28 VDC/1.9A
Inrush Current	35A for 200µsec
Op voltage Range	18-32 VDC
Maximum Current Draw	3.15A
Power Consumption	56W Max

Environmental Specifications	
Operating Temperature	0°C to 50°C
Altitude	A1 (50,000ft)
Humidity	A
Vibration	CAT S, Curve B
Power Input	CAT A, B
Radio Frequency	CAT T
Emission of RF Energy	CAT M

Reliability (MTBF Prediction)	6,790 Hours
-------------------------------	-------------

Notes

- 1. MATING CONNECTOR KIT INCLUDING CONNECTOR, CONTACTS, AND BACKSHELL AVAILABLE FROM ROSEN AVIATION DISPLAYS. MAIN INTERFACE CONNECTOR INCLUDED W/DI DISPLAY, DVI & S-VIDEO CONNECTORS SOLD SEPARATELY.
- 2. EXTERNAL CONTROLLER PART NUMBER 0300-408 (SOLD SEPARATELY) SUPPORTS THIS PANEL.
- 3. RS-485 AND RS-232 MESSAGE FORMATS AVAILABLE UPON REQUEST (DOC #'S: 9002933 & 9002934).

DVI Connector

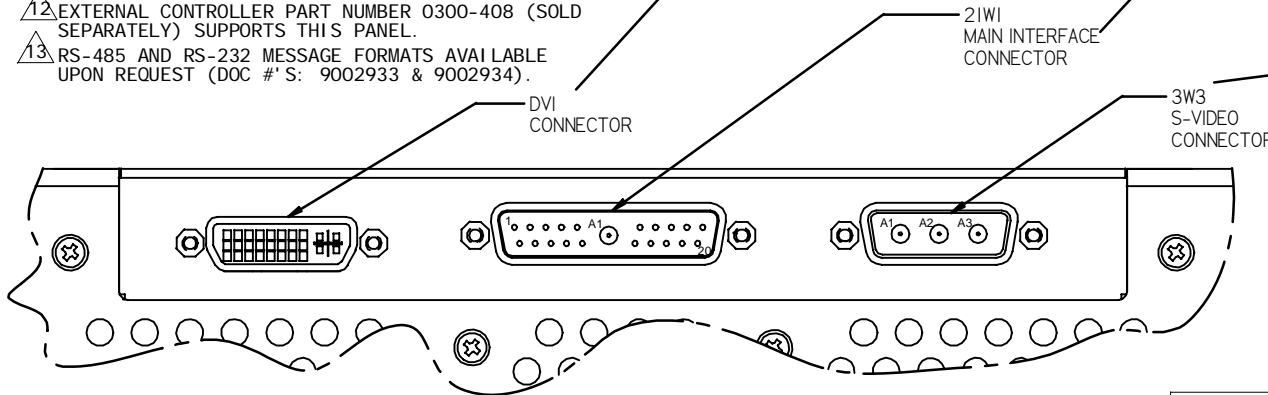
Connector Type: DVI	
Rosen Connector Kit: 0300-029 (Sold Separately)	
1	T.M.D.S Data2 -
2	T.M.D.S Data2+
3	T.M.D.S Data2/4 shield
4	T.M.D.S Data4 -
5	T.M.D.S Data4+
6	DDC clock
7	DDC data
8	Analog Vertical Sync
9	T.M.D.S Data1 -
10	T.M.D.S Data1+
11	T.M.D.S Data1/3 shield
12	T.M.D.S Data3 -
13	T.M.D.S Data3+
14	5V Power
15	GND for 5V, Hsync, Vsync
16	Hot plug detect
17	T.M.D.S Data0 -
18	T.M.D.S Data0+
19	T.M.D.S Data0/5 shield
20	T.M.D.S Data5 -
21	T.M.D.S Data5+
22	T.M.D.S Clock Shield
23	T.M.D.S Clock +
24	T.M.D.S Clock -
C1	Analog Red
C2	Analog Green
C3	Analog Blue
C4	Analog Horizontal Sync
C5	Analog Ground

Main Interface Connector

Connector Type: Combo-D 21W1 Male	
Mate: Combo-D 21WA1 Female	
Video Contacts: 75 Ohm Size 8 Coaxial, ITT Cannon D130344-1	
Backshell: 3M 3357-9225	
Rosen Connector Kit: 0300-025 (included)	
Pin #	Monitor signal
1	28V return
2	28V
3	IR +5V
4	IR Signal
5	IR GND
6	RGB/Video Select (LVTTTL)
7	Status Output (LVTTTL)
8	POWER ON/OFF (LVTTTL)
9	RS-232 GND
10	28V Return
11	28V
12	RS-232 RX
13	RS-232 TX
14	RS-485 A OUT
15	RS-485 B OUT
16	RS-485 A IN
17	RS-485 B IN
18	RS-485 GND
19	RESERVED
20	RESERVED
A1-signal	Composite Video
A1-shield	Composite Video Return
Shell	Chassis Ground

S-VIDEO Connector

Connector Type: 3W3 Combo-D Male	
Mate: ITT Cannon DAM3W3SA197	
75 Ohm Coax contacts: D130344-1	
Backshell: Positronic D15000GE0-1023.5	
Rosen Connector Kit: 0300-028 (Sold Separately)	
Pin #	Control Signal
A1 SIGNAL	S-VIDEO Y
A1 SHIELD	Y RETURN
A2 SIGNAL	S-VIDEO C
A2 SHIELD	C RETURN
A3 SIGNAL	RESERVED
A3 SHIELD	RESERVED



VIEW A-A

THE INFORMATION CONTAINED HEREIN IS PROPRIETARY TO ROSEN AVIATION, LLC. IT SHALL NOT BE REPRODUCED OR DISCLOSED IN WHOLE OR IN PART OR USED FOR ANY DESIGN OR MANUFACTURE EXCEPT WHEN SUCH USER POSSESSES DIRECT, WRITTEN AUTHORIZATION FROM ROSEN AVIATION, LLC. THIS DRAWING MAY BE COVERED UNDER ONE OR MORE U.S. OR INTERNATIONAL PATENTS. PLEASE CONTACT ROSEN AVIATION FOR SPECIFIC INFORMATION.

	1020 OWEN LOOP SOUTH EUGENE, OREGON 97402 TEL: (541) 342-3802 FAX: (541) 342-4912	SIZE DWG NO A 2002-002-CD	REV B
	SCALE NONE SHEET 2 OF 2		