

1

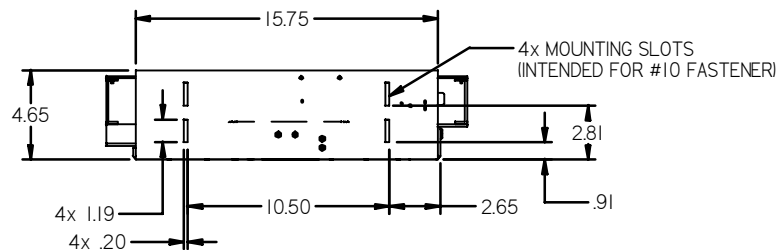
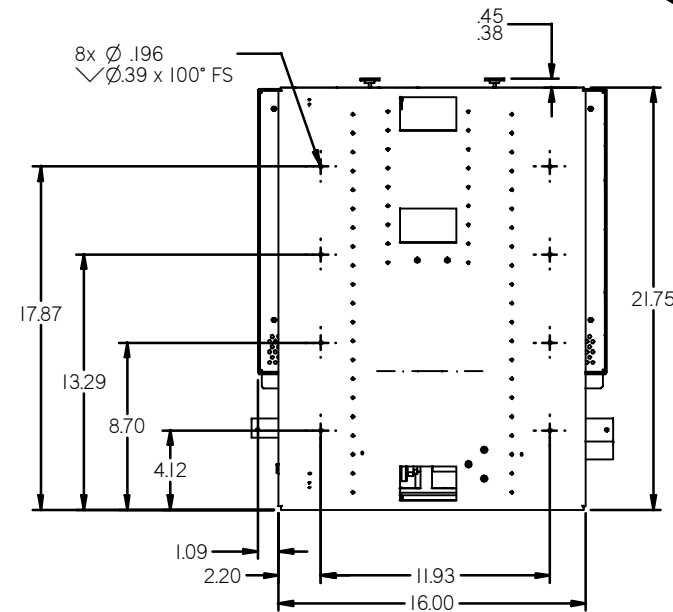
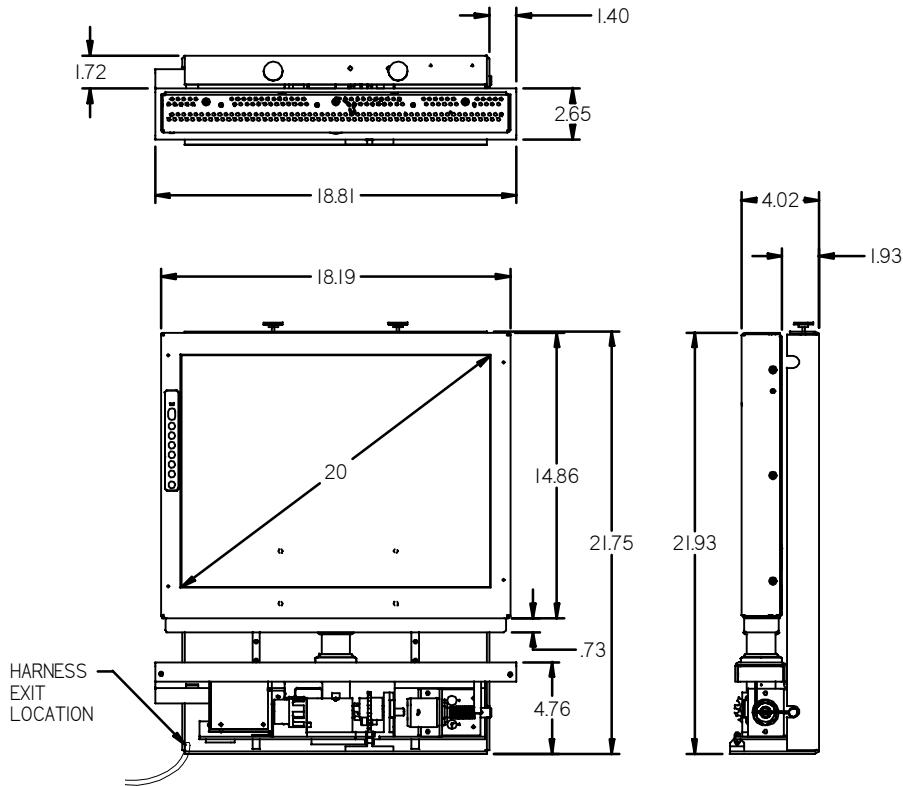
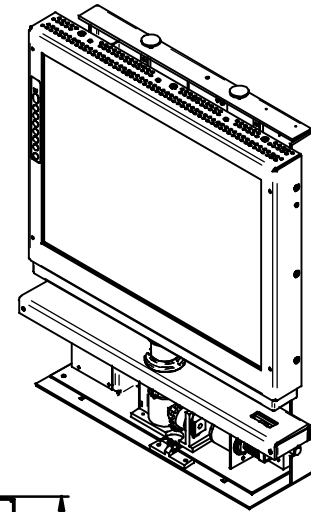
2

NOTES: (unless otherwise specified)

1. MATERIALS AND INSTRUCTIONS LISTED ON SEPARATE BILL OF MATERIALS.
2. ASSEMBLY WEIGHT: 33.2 LBS. ±5%
3. HARNESS LENGTH: 12" ±2"
4. DO NOT PLUG OR UNPLUG MONITOR WHEN POWER IS APPLIED.
5. OBSERVE ESD SAFE HANDLING PRACTICES.
6. FREE AIR VENTILATION OF MONITOR REQUIRED DURING OPERATION. LEAVE PERFORATED VENT AREAS ON THE TOP SURFACE AND EITHER THE BOTTOM OR BACK SURFACE UNBLOCKED FOR VENTILATION.
7. CARE MUST BE TAKEN TO KEEP DEBRIS FROM ENTERING VENT HOLDS DURING INSTALLATION AND OPERATION.

REVISIONS						
ZONE	REV	DESCRIPTION	DATE	BY	CO NO	APRV
-	A	INITIAL DRAWING RELEASE	06/17/04	GJH	04186	-

REFERENCE ONLY



THE INFORMATION CONTAINED HEREIN IS PROPRIETARY TO ROSEN AVIATION DISPLAYS. IT SHALL NOT BE REPRODUCED OR DISCLOSED IN WHOLE OR IN PART OR USED FOR ANY DESIGN OR MANUFACTURE EXCEPT WHEN SUCH USER POSSESSES DIRECT, WRITTEN AUTHORIZATION FROM ROSEN AVIATION DISPLAYS. THIS DRAWING MAY BE COVERED UNDER ONE OR MORE U.S. OR INTERNATIONAL PATENTS, PLEASE CONTACT ROSEN AVIATION DISPLAYS FOR SPECIFIC INFORMATION.



ROSEN AVIATION DISPLAYS, LLC

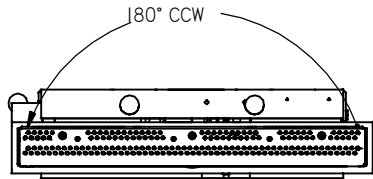
1020 OWEN LOOP SOUTH EUGENE, OREGON 97402
TEL: (541) 342-3802 FAX: (541) 342-4912

UNLESS OTHERWISE SPECIFIED DIMENSIONS ARE IN INCHES		APPROVALS	INITIAL	DATE	TITLE	SIZE	DWG NO	REV
.XX = ± .020 .XXX = ± .005		DRAWN BY	GJH	06/17/04	20" SLIMLINE DISPLAY ON MOTORIZED LIFT	A	2002-253	A
 = ± 3.0°		CHECKER	SDS	06/21/04				
INTERPRET DIM AND TOL PER ASME Y14.5M - 1994		ENGINEER	GJH	06/21/04	SCALE	1:10	SHEET	1 OF 3
		PRODUCTION	TMJ	06/21/04				
		QUALITY	MEJ	06/21/04				

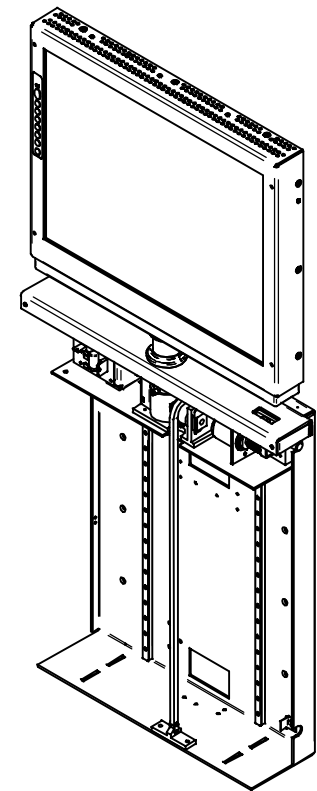
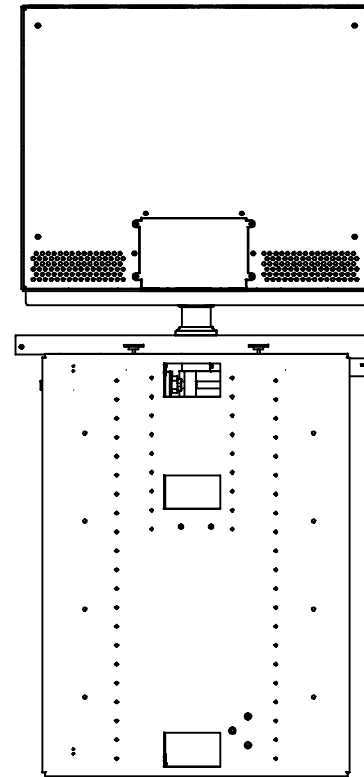
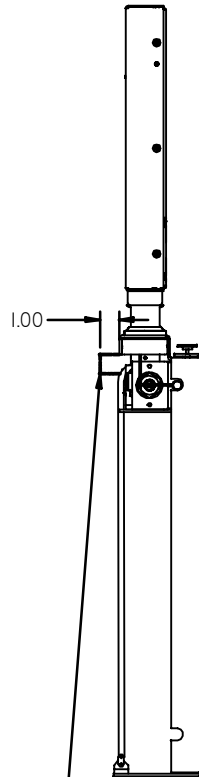
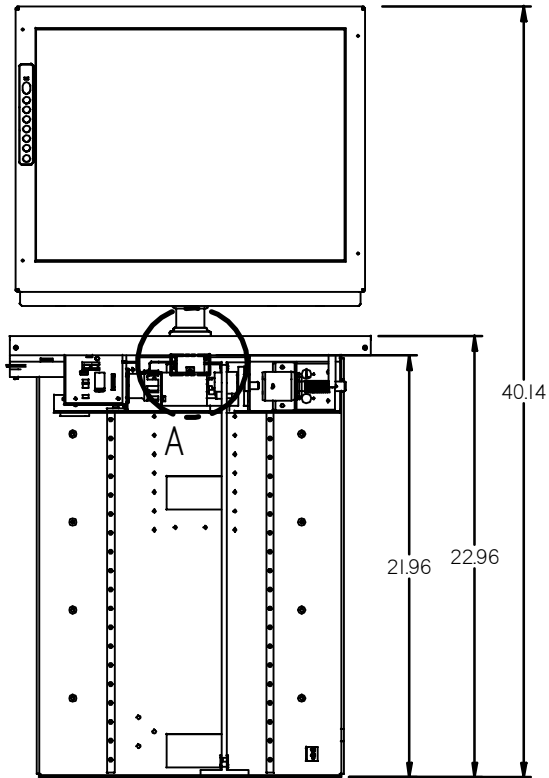
1

2

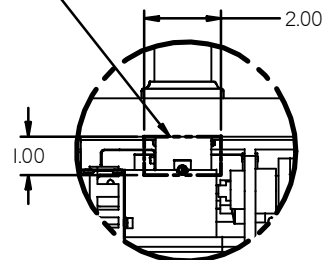
REFERENCE ONLY



MONITOR ROTATION



CLEARANCE REQUIRED FOR ROTATIONAL SENSOR FLAG



DETAIL A



ROSEN AVIATION DISPLAYS, LLC

1020 OWEN LOOP SOUTH EUGENE, OREGON 97402
TEL: (541) 342-3802 FAX: (541) 342-4912

THE INFORMATION CONTAINED HEREIN IS PROPRIETARY TO ROSEN AVIATION DISPLAYS. IT SHALL NOT BE REPRODUCED OR DISCLOSED IN WHOLE OR IN PART OR USED FOR ANY DESIGN OR MANUFACTURE EXCEPT WHEN SUCH USER POSSESSES DIRECT, WRITTEN AUTHORIZATION FROM ROSEN AVIATION DISPLAYS. THIS DRAWING MAY BE COVERED UNDER ONE OR MORE U.S. OR INTERNATIONAL PATENTS. PLEASE CONTACT ROSEN AVIATION DISPLAYS FOR SPECIFIC INFORMATION.

SIZE	DWG NO	REV
A	2002-253	A
SCALE	NONE	SHEET 2 OF 3

Performance Specifications (reference)

LCD Performance

Screen Resolution (pixels)	1600 w X 1200 h
Video Standards supported	NTSC, PAL, SECAM
Graphics Standards	VGA through UXGA
Display Viewing Area (mm)	408 x 306
Horizontal Viewing Angle	±80°
Vertical Viewing Angle	±80°
Contrast Ratio	500:1
Backlight Lamp Life	50,000 hours
Screen Brightness	200 cd/m2 min

Power Requirements

Nominal Voltage	28VDC
Nominal Power	65 W

Environmental Specifications

Operating Temperature	0°C - 50°C
Altitude	15,000ft
Humidity	95%RH
Vibration	1.48 grms
Power Input	DO-160D Cat AB
Radio Frequency	DO-160D Cat TTX
Emission of RF Energy	DO-160D Cat L

Main Interface Connector

Connector Type: Combo-D 21WA4 Male
ITT Cannon DCMC-21CA4PJ-K87

Mate: ITT Cannon DCA21WA4SA197F0
Video Contacts: 75 Ohm Size 8 Coaxial,
ITT Cannon D130344-1

Backshell: Positronic D37000GEO-1023.0
Rosen Connector Kit: 0300-021*

Pin #	Monitor signal
1	28V return
2	28V
3	IR +5V
4	IR Signal
5	Reserved
6	RGB/Video Select (TTL)
7	Status Output (TTL)
8	Hsync
9	Vsync
10	28V Return
11	28V
12	IR GND
13	Computer Sync GND
14	Reserved
15	Digital GND
16	Digital GND
17	Digital GND
A1-signal	Red
A1-shield	Red return
A2-signal	Green
A2-shield	Green return
A3-signal	Blue
A3-shield	Blue return
A4-signal	Composite (NTSC) Video
A4-shield	Comp Video Return
Shell	Chassis Ground

Lift Control Interface

Connector Type: DB9 Male

Mate: Positronic SD9F0000Z
Backshell: Positronic D90000GEO
Rosen Connector Kit: 0300-022*

Pin #	Control Signal
1	Switch 1
2	LED Anode
3	LED Cathode
4	Ground
5	Reserved
6	Reserved
7	Reserved
8	Reserved
9	Reserved

Configuration Dipswitch Settings

SW	SW	SW	Function
On	Off	-	Constant Ground Switching: Monitor displays RGB when pin 6 of Main Interface Connector is held to ground. Monitor displays composite video when pin 6 is held to logic high.
Off	On	-	Momentary Ground Switching: Pin 6 of main interface connector toggles display between composite/RGB on transition to low. Monitor recalls last setting at power up.
On	On	-	Autodetect: When Hsync is detected the monitor will switch to RGB input. Hsync present assumes that RGB is present.
Off	Off	-	Manual mode
-	-	Off	Monitor defaults to Off state when power applied.
-	-	On	Monitor defaults to On state when power applied.

Notes

* MATING CONNECTOR KIT INCLUDING CONNECTOR, CONTACTS, AND BACKSHELL AVAILABLE FROM ROSEN PRODUCTS.

** EXTERNAL CONTROLLER PART NUMBER 0300-405 SOLD SEPARATELY SUPPORTS THIS PANEL.



ROSEN AVIATION DISPLAYS, LLC

1020 OWEN LOOP SOUTH EUGENE, OREGON 97402
TEL: (541) 342-3802 FAX: (541) 342-4912

THE INFORMATION CONTAINED HEREIN IS PROPRIETARY TO ROSEN AVIATION DISPLAYS. IT SHALL NOT BE REPRODUCED OR DISCLOSED IN WHOLE OR IN PART OR USED FOR ANY DESIGN OR MANUFACTURE EXCEPT WHEN SUCH USER POSSESSES DIRECT, WRITTEN AUTHORIZATION FROM ROSEN AVIATION DISPLAYS. THIS DRAWING MAY BE COVERED UNDER ONE OR MORE U.S. OR INTERNATIONAL PATENTS. PLEASE CONTACT ROSEN AVIATION DISPLAYS FOR SPECIFIC INFORMATION.

SIZE	DWG NO	REV
A	2002-253	A
SCALE	NONE	SHEET 2 OF 3