

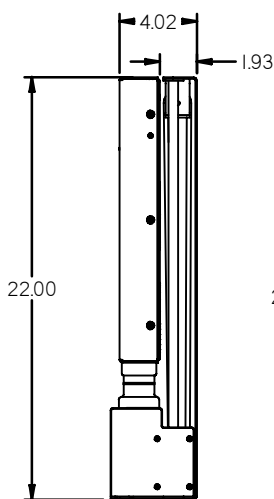
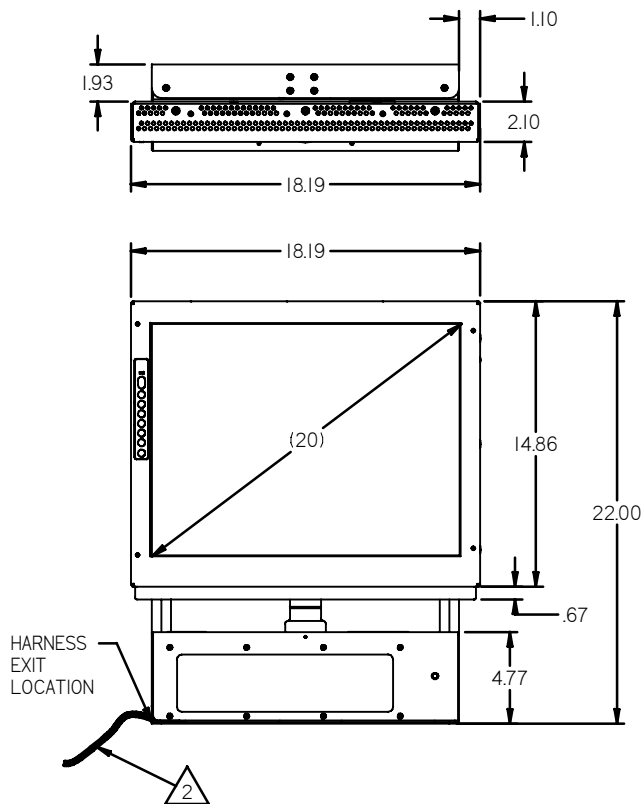
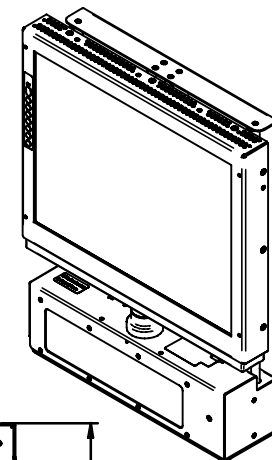
NOTES: (unless otherwise specified)

1. ASSEMBLY WEIGHT: 30.5 LBS. ±5%
2. HARNESS LENGTH: 12" ±2"
3. DO NOT PLUG OR UNPLUG MONITOR WHEN POWER IS APPLIED.
4. OBSERVE ESD SAFE HANDLING PRACTICES.
5. FREE AIR VENTILATION OF MONITOR REQUIRED DURING OPERATION. LEAVE PERFORATED VENT AREAS ON THE TOP SURFACE AND BACK SURFACES UNBLOCKED FOR VENTILATION.
6. CARE MUST BE TAKEN TO KEEP DEBRIS FROM ENTERING VENT HOLES DURING INSTALLATION AND OPERATION.

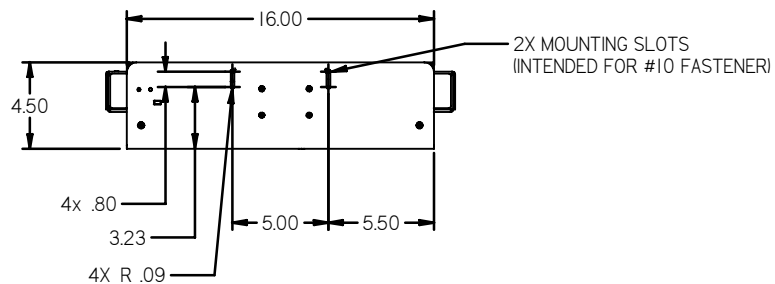
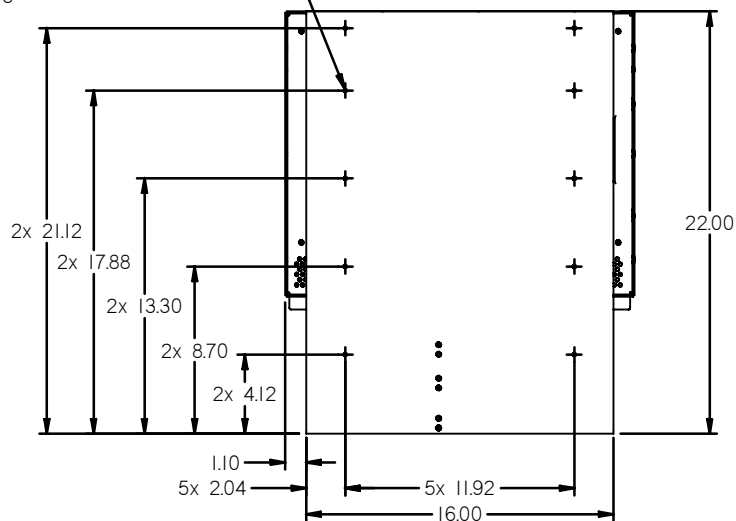
REVISIONS						
ZONE	REV	DESCRIPTION	DATE	BY	CHG NO	APRV
	A	INITIAL DRAWING RELEASE	07/12/07	GJH	ECO7254	

INACTIVATED BY EC 15-0126

ELECTRONIC REVISION CONTROLLED



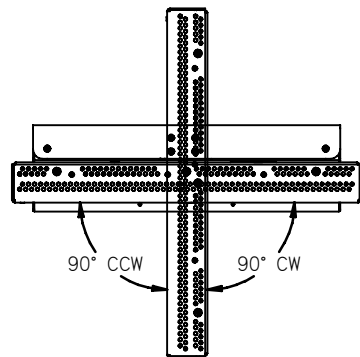
10x Ø .196
√∠0.39 x 100° FS



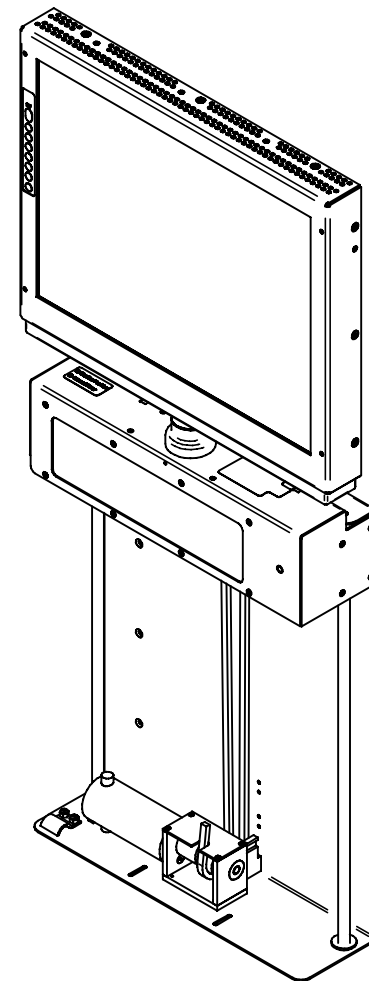
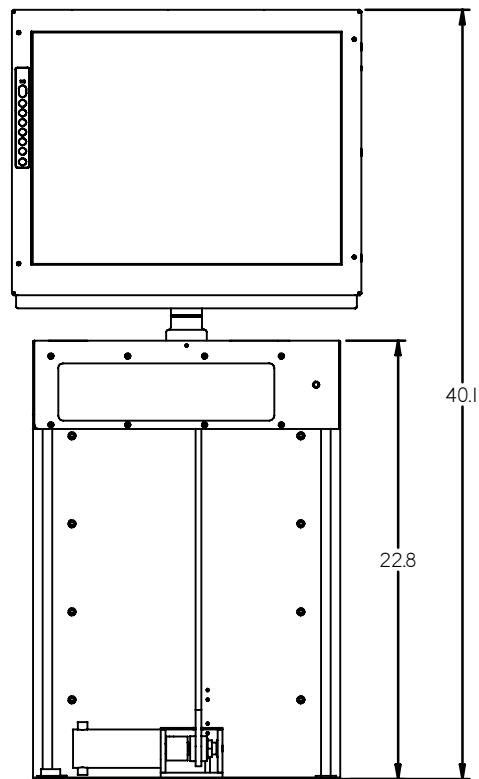
THE INFORMATION CONTAINED HEREIN IS PROPRIETARY TO ROSEN AVIATION, LLC. IT SHALL NOT BE REPRODUCED OR DISCLOSED IN WHOLE OR IN PART OR USED FOR ANY DESIGN OR MANUFACTURE EXCEPT WHEN SUCH USER POSSESSES DIRECT, WRITTEN AUTHORIZATION FROM ROSEN AVIATION. THIS DRAWING MAY BE COVERED UNDER ONE OR MORE U.S. OR INTERNATIONAL PATENTS. PLEASE CONTACT ROSEN AVIATION FOR SPECIFIC INFORMATION.

ROSEN AVIATION 1020 OWEN LOOP SOUTH EUGENE, OREGON 97402 TEL: (541) 342-3802 FAX: (541) 342-4912	APPROVALS	INITIAL	DATE
	DRAWN BY	GJH	07/02/07
	CHECKER	SC	07/03/07
	ENGINEER	SC	07/11/07
TITLE	DWG NO		
OUTLINE & INSTALLATION DWG	2002-500-CD		
20" SLIMLINE II, LIFT	SIZE	REV	
FIRST CALLED FOR: (FCF)	A	A	
UNIVERSAL LIFT	SCALE	N.T.S.	SHEET 1 OF 4

UNLESS OTHERWISE SPECIFIED DIMENSIONS ARE IN INCHES
 .X = ± .2
 .XX = ± .1
 ∑ = ± 5.0°
 INTERPRET DIM AND TOL PER ASME Y14.5M - 1994

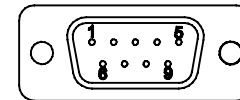
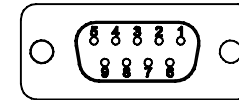
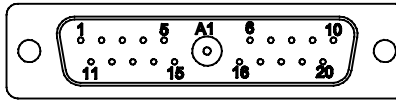
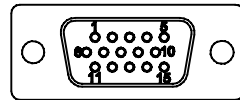


MONITOR ROTATION



THE INFORMATION CONTAINED HEREIN IS PROPRIETARY TO ROSEN AVIATION, LLC. IT SHALL NOT BE REPRODUCED OR DISCLOSED IN WHOLE OR IN PART OR USED FOR ANY DESIGN OR MANUFACTURE EXCEPT WHEN SUCH USER POSSESSES DIRECT, WRITTEN AUTHORIZATION FROM ROSEN AVIATION, LLC. THIS DRAWING MAY BE COVERED UNDER ONE OR MORE U.S. OR INTERNATIONAL PATENTS. PLEASE CONTACT ROSEN AVIATION FOR SPECIFIC INFORMATION.

ROSEN AVIATION	1020 OWEN LOOP SOUTH EUGENE, OREGON 97402 TEL: (541) 342-3802 FAX: (541) 342-4912	SIZE A	DWG NO 2002-500-CD	REV A
	SCALE NONE	SHEET 2 OF 4		



Performance Specifications	
LCD Performance	
Screen Resolution (pixels)	1600 w X 1200 h
Video Standards supported	NTSC, PAL, SECAM, RS170
Graphics Standards supported	VGA - UXGA
Display Viewing Area (mm)	408 x 306
Horizontal Viewing Angle	±85°
Vertical Viewing Angle	±85°
Contrast Ratio	600:1 TYP
Backlight Lamp Life	50,000 hours
Screen Brightness	300 cd/m2 TYP
Power Requirements	
Nominal Voltage	28VDC
Nominal Power	65 W
Environmental Specifications	
Operating Temperature	0°C - 50°C
Altitude	50,000ft
Humidity	95%RH
Vibration	1.48 grms
Power Input	DO-160D Cat AB
Radio Frequency Susceptibility	DO-160D Cat TT
Emission of RF Energy	DO-160D Cat B

VGA CONNECTOR	
Connector Type: HD 15 Male	
Mate: Positronic ODD15F0000Z	
Rosen Connector Kit: 0300-039 * (Not Included)	
Pin #	Signal
1	Analog Red
2	Analog Green
3	Analog Blue
4	N/C
5	N/C
6	Analog Red Return
7	Analog Green Return
8	Analog Blue Return
9	N/C
10	Sync GND
11	N/C
12	N/C
13	Analog Horizontal Sync
14	Analog Vertical Sync
15	N/C

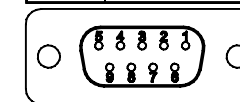
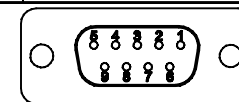
Main Interface Connector	
Connector Type: Combo-D 21WA1 Male	
Mate: 21WA1 FEMALE	
Rosen Connector Kit: 0300-033 * (Included)	
Pin #	Monitor signal
1	28V return
2	28V
3	IR +5V
4	IR Signal
5	IR GND
6	RGB/Video Select (LVTTTL)
7	Status Output (LVTTTL)
8	POWER ON/OFF (LVTTTL)
9	RS-232 GND
10	28V Return
11	28V
12	RS-232 RX **
13	RS-232 TX **
14	RS-485 A OUT
15	RS-485 B OUT
16	RS-485 A IN
17	RS-485 B IN
18	RS-485 GND
19	RESERVED
20	RESERVED
A1-signal	Composite Video
A1-shield	Composite Video Return
Shell	Chassis Ground

User Switch	
Connector Type: DB9 Female	
Mate: Positronic SD9M0000Z	
Rosen Connector Kit: 0300-027 * (Included)	
Pin #	Control Signal
1	Up/Down Constant Switch
2	Anode
3	Cathode
4	Ground
5	Up/Down Momentary Switch
6	Reserved
7	Reserved
8	Reserved
9	Reserved

RS-485 Input	
Connector: DB9 Male	
Pin #	Signal
1	RS-485 GND
2	Reserved
3	Reserved
4	Reserved
5	Reserved
6	Reserved
7	RS-485 A In
8	RS-485 B In
9	Reserved

RS-232	
Connector: DB9 Female	
Pin #	Signal
1	Reserved
2	RS232 TX
3	RS232 RX
4	Reserved
5	RS-232 GND
6	Reserved
7	Reserved
8	Reserved
9	Reserved

RS-485 Output	
Connector: DB9 Female	
Pin #	Signal
1	RS-485 GND
2	Reserved
3	Reserved
4	Reserved
5	Reserved
6	Reserved
7	RS-485 A Out
8	RS-485 B Out
9	Reserved



Notes

- * MATING CONNECTOR KIT INCLUDING CONNECTOR, CONTACTS, AND BACKSHELL AVAILABLE FROM ROSEN AVIATION.
- ** EXTERNAL CONTROLLER PART NUMBER 0300-408 SOLD SEPARATELY, SUPPORTS THIS PANEL.

THE INFORMATION CONTAINED HEREIN IS PROPRIETARY TO ROSEN AVIATION, LLC. IT SHALL NOT BE REPRODUCED OR DISCLOSED IN WHOLE OR IN PART OR USED FOR ANY DESIGN OR MANUFACTURE EXCEPT WHEN SUCH USER POSSESSES DIRECT, WRITTEN AUTHORIZATION FROM ROSEN AVIATION, LLC. THIS DRAWING MAY BE COVERED UNDER ONE OR MORE U.S. OR INTERNATIONAL PATENTS. PLEASE CONTACT ROSEN AVIATION FOR SPECIFIC INFORMATION.

	1020 OWEN LOOP SOUTH EUGENE, OREGON 97402 TEL: (541) 342-3802 FAX: (541) 342-4912	SIZE DWG NO A 2002-500-CD	REV A
	SCALE NONE SHEET 3 OF 4		

1
Universal Lift Notes (Con't from page 1)

8. Mounting Requirements

Minimum Securing Requirement

Secure the lift by using mounting holes on the back and bottom flange as shown. Fasten the lift to surfaces that are flat and square. On the back, only use flush head fasteners so they don't interfere with the operation of the lift carriage.

Lift carriage will not descend unless monitor is attached.

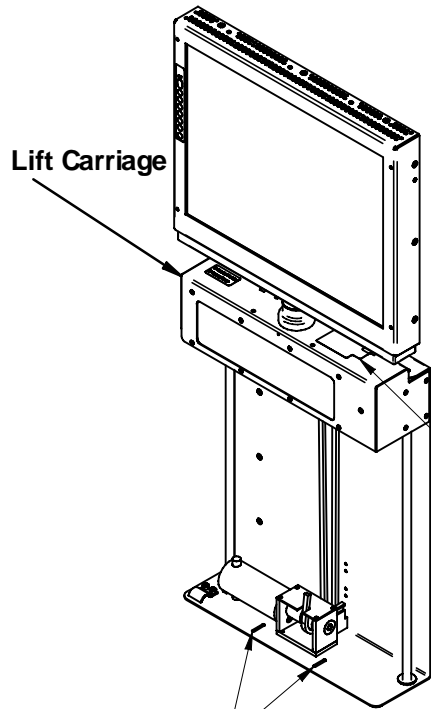
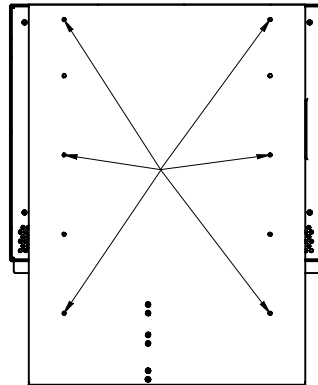
Weight Requirement

Three pounds is the maximum weight that may be added to the monitor or lift carriage.

Disclaimer

Failure to follow the mounting requirements will shorten the life of the Universal Lift and void the warranty.

Minimum Back Mounting Requirements



Location of Manual Stow Label
 Remove label and push lever to manually stow monitor

Mounting slots on bottom flange

2
9. Helpful Tips

Monitor Rotation

The monitor will not stow if it is rotated out of the center position. The default rotation limits are 90° left and right. The rotation may be changed to 45 or 60 degrees left and right by moving the #8-32 socket head screw (Figure 1) and adding a second identical screw to the opposite location. Torque the screws to 18-20 in-lb.

Figure 1

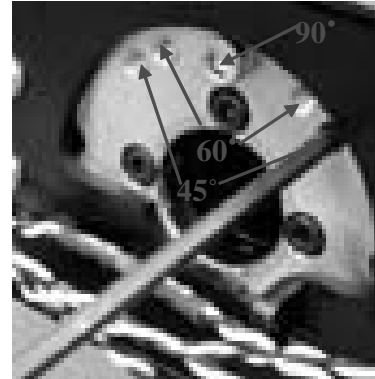
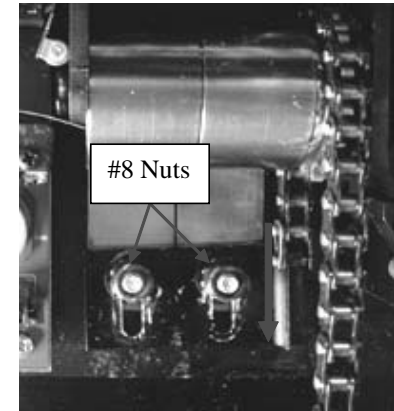


Figure 2



Chain Tensioning

If the chain loses its tension, it may be tightened by loosening the #8-32 nuts (Figure 2) and sliding the latch down

Cabin Management System

RS-485 capability provides the option to connect other Rosen products in series to a cabin management system.

Manually Stow the Universal Lift

The monitor may be stowed manually by removing the label marked "IN CASE OF EMERGENCY" and activating the lever underneath while pushing down on the monitor.

Lift Actuation

The default state for the user switch is momentary. It is changed to constant ground switching by connecting to the harness labeled "RS-232" and accessing the firmware menu using hyperterminal.

THE INFORMATION CONTAINED HEREIN IS PROPRIETARY TO ROSEN AVIATION, LLC. IT SHALL NOT BE REPRODUCED OR DISCLOSED IN WHOLE OR IN PART OR USED FOR ANY DESIGN OR MANUFACTURE EXCEPT WHEN SUCH USER POSSESSES DIRECT, WRITTEN AUTHORIZATION FROM ROSEN AVIATION, LLC. THIS DRAWING MAY BE COVERED UNDER ONE OR MORE U.S. OR INTERNATIONAL PATENTS. PLEASE CONTACT ROSEN AVIATION FOR SPECIFIC INFORMATION.

ROSEN AVIATION	1020 OWEN LOOP SOUTH EUGENE, OREGON 97402 TEL: (541) 342-3802 FAX: (541) 342-4912	SIZE A	DWG NO 2002-500-CD	REV A
	SCALE NONE	SHEET 4 OF 4		