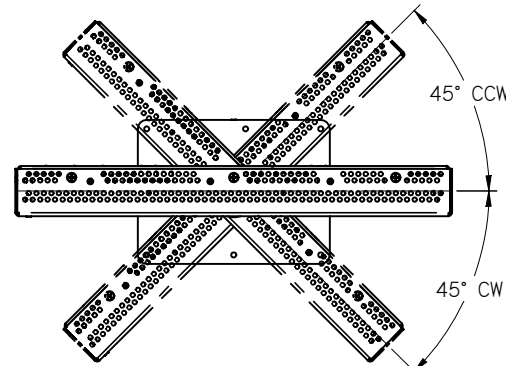
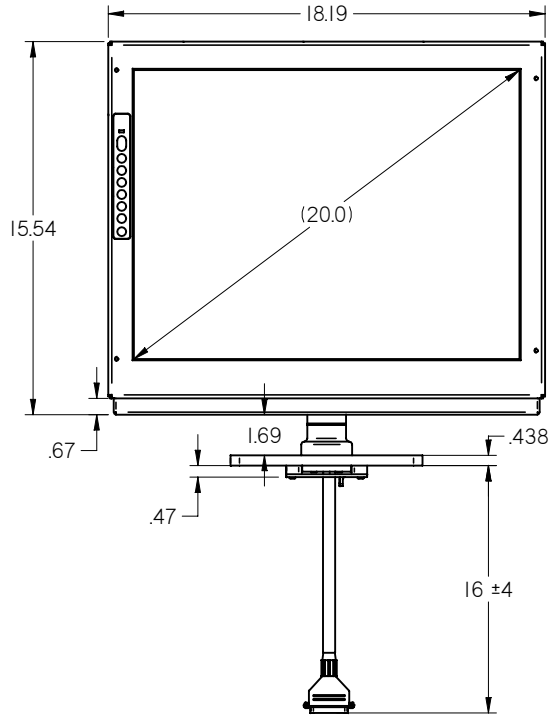


NOTES: (unless otherwise specified)

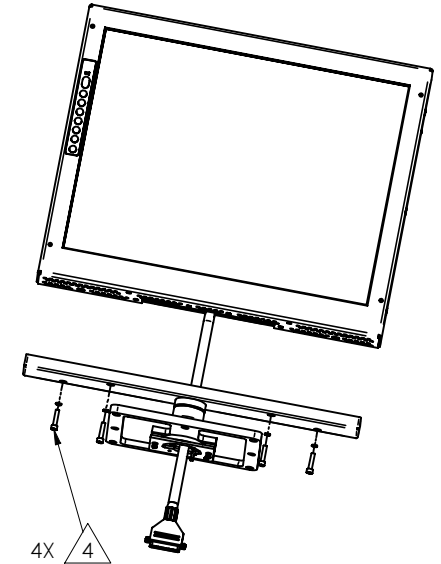
1. ASSEMBLY WEIGHT: 16.5 LB MAX
 2. OBSERVE ESD SAFE HANDLING PRACTICES.
 3. DO NOT PLUG OR UNPLUG MONITOR WHEN POWER IS APPLIED.
- ▲ TORQUE #10-32 X 7/8" SOCKET HEAD CAP SCREWS TO 16 ± 1 IN-LB

REVISIONS						
ZONE	REV	DESCRIPTION	DATE	BY	CHG NO	APRV
	A	INITIAL DRAWING RELEASE	06/22/06	SC	ECO6154	

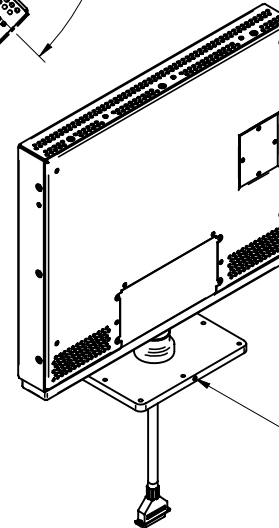
ELECTRONIC REVISION CONTROLLED



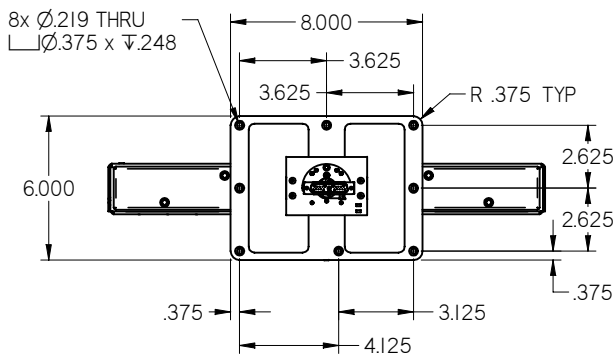
TOP VIEW



4X 4



ROTATIONAL FRICTION
USE 3/32" HEX KEY TO ADJUST



THE INFORMATION CONTAINED HEREIN IS PROPRIETARY TO ROSEN AVIATION, LLC. IT SHALL NOT BE REPRODUCED OR DISCLOSED IN WHOLE OR IN PART OR USED FOR ANY DESIGN OR MANUFACTURE EXCEPT WHEN SUCH USER POSSESSES DIRECT, WRITTEN AUTHORIZATION FROM ROSEN AVIATION. THIS DRAWING MAY BE COVERED UNDER ONE OR MORE U.S. OR INTERNATIONAL PATENTS. PLEASE CONTACT ROSEN AVIATION FOR SPECIFIC INFORMATION.

	1020 OWEN LOOP SOUTH EUGENE, OREGON 97402 TEL: (541) 342-3802 FAX: (541) 342-4912		APPROVALS	INITIAL	DATE
			DRAWN BY	SC	06/14/06
			CHECKER	JW	06/20/06
			ENGINEER	SC	06/21/06

UNLESS OTHERWISE SPECIFIED DIMENSIONS ARE IN INCHES
 .XX = ± .020
 .XXX = ± .005
 = ± 5.0"
 RADIUS ± .020
 INTERPRET DIM AND TOL PER ASME Y14.5M - 1994

TITLE
**SWIVEL, TABLE TOP, 20" BULKHEAD
 OUTLINE & INSTALLATION DRAWING**
 FIRST CALLED FOR: (FCF)
UNIVERSAL TABLE TOP SWIVEL

DWG NO		2002-600-CD	
SIZE	A	REV	A
SCALE	1 : 8	SHEET	1 OF 2

Performance Specifications (Reference)

LCD Performance	
Screen Resolution (pixels)	1600 w X 1200 h
Video Standards supported	NTSC, PAL, SECAM, RS170
Graphics Standards	VGA through UXGA
Display Viewing Area (mm)	408 x 306
Horizontal Viewing Angle	±85°
Vertical Viewing Angle	±85°
Contrast Ratio	600:1 TYP
Backlight Lamp Life	50,000 hours
Screen Brightness	300 cd/m ² TYP

Power Requirements	
Nominal Voltages	28VDC
Nominal Current	1.9A ±5%

Environmental Specifications	
Operating Temperature	0°C to 50°C
Altitude	A1 (50,000ft)
Humidity	A
Vibration	CAT S, Curve B
Power Input	A, B
Radio Frequency	TT
Emission of RF Energy	M

Reliability (MTBF Prediction)	6,790 Hours
-------------------------------	-------------

Notes

5 MATING CONNECTOR KIT INCLUDING CONNECTOR, CONTACTS, AND BACKSHELL AVAILABLE FROM ROSEN AVIATION DISPLAYS. MAIN INTERFACE CONNECTOR INCLUDED W/DI DISPLAY, DVI & S-VIDEO CONNECTORS SOLD SEPARATELY.

6 EXTERNAL CONTROLLER PART NUMBER 0300-408 (SOLD SEPARATELY) SUPPORTS THIS PANEL.

7 RS-485 AND RS-232 MESSAGE FORMATS AVAILABLE UPON REQUEST (DOC #'S: 9002933 & 9002934).

Main Interface Connector

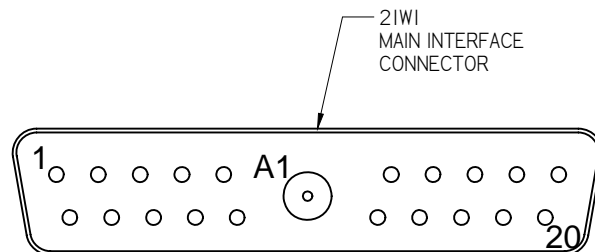
Connector Type: Combo-D 21W1 Male	
Mate: Combo-D 21WA1 Female	
Video Contacts: 75 Ohm Size 8 Coaxial, ITT Cannon D130344-1	
Backshell: Positronic D25000GEO-1023.5	
Rosen Connector Kit: 0300-025 (included)	
Pin #	Monitor signal
1	28V return
2	28V
3	IR +5V
4	IR Signal
5	IR GND
6	RGB/Video Select (LVTTTL)
7	Status Output (LVTTTL)
8	POWER ON/OFF (LVTTTL)
9	RS-232 GND
10	28V Return
11	28V
12	RS-232 RX
13	RS-232 TX
14	RS-485 A OUT
15	RS-485 B OUT
16	RS-485 A IN
17	RS-485 B IN
18	RS-485 GND
19	RESERVED
20	RESERVED
A1-signal	Composite Video
A1-shield	Composite Video Return
Shell	Chassis Ground

DVI Connector

Connector Type: DVI	
Rosen Connector Kit: 0300-029 (Sold Separately)	
1	T.M.D.S Data2 -
2	T.M.D.S Data2+
3	T.M.D.S Data2/4 shield
4	T.M.D.S Data4 -
5	T.M.D.S Data4+
6	DDC clock
7	DDC data
8	Analog Vertical Sync
9	T.M.D.S Data1 -
10	T.M.D.S Data1+
11	T.M.D.S Data1/3 shield
12	T.M.D.S Data3 -
13	T.M.D.S Data3+
14	5V Power
15	GND for 5V, Hsync, Vsync
16	Hot plug detect
17	T.M.D.S Data0 -
18	T.M.D.S Data0+
19	T.M.D.S Data0/5 shield
20	T.M.D.S Data5 -
21	T.M.D.S Data5+
22	T.M.D.S Clock Shield
23	T.M.D.S Clock +
24	T.M.D.S Clock -
C1	Analog Red
C2	Analog Green
C3	Analog Blue
C4	Analog Horizontal Sync
C5	Analog Ground

S-VIDEO Connector

Connector Type: 3W3 Combo-D Male	
Mate: ITT Cannon DAM3W3SA197	
75 Ohm Coax contacts: D130344-1	
Backshell: Positronic D15000GEO-1023.5	
Rosen Connector Kit: 0300-028 (Sold Separately)	
Pin #	Control Signal
A1 SIGNAL	S-VIDEO Y
A1 SHIELD	Y RETURN
A2 SIGNAL	S-VIDEO C
A2 SHIELD	C RETURN
A3 SIGNAL	RESERVED
A3 SHIELD	RESERVED



THE INFORMATION CONTAINED HEREIN IS PROPRIETARY TO ROSEN AVIATION, LLC. IT SHALL NOT BE REPRODUCED OR DISCLOSED IN WHOLE OR IN PART OR USED FOR ANY DESIGN OR MANUFACTURE EXCEPT WHEN SUCH USER POSSESSES DIRECT, WRITTEN AUTHORIZATION FROM ROSEN AVIATION, LLC. THIS DRAWING MAY BE COVERED UNDER ONE OR MORE U.S. OR INTERNATIONAL PATENTS. PLEASE CONTACT ROSEN AVIATION FOR SPECIFIC INFORMATION.

ROSEN AVIATION	1020 OWEN LOOP SOUTH EUGENE, OREGON 97402 TEL: (541) 342-3802 FAX: (541) 342-4912	SIZE	DWG NO	REV
		A	2002-600-CD	A
		SCALE	NONE	SHEET 2 OF 2