

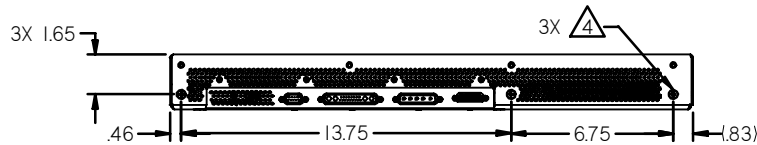
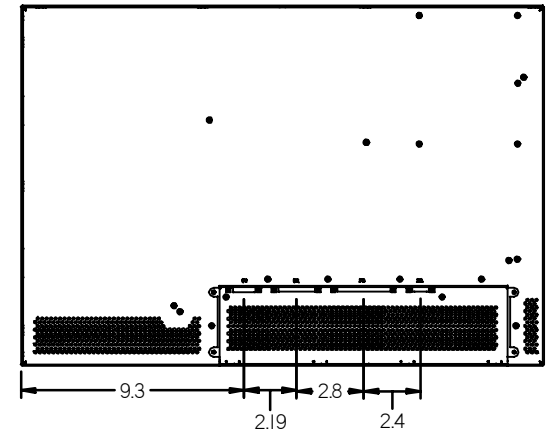
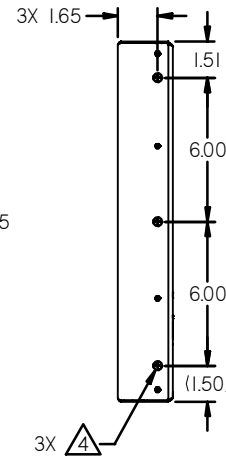
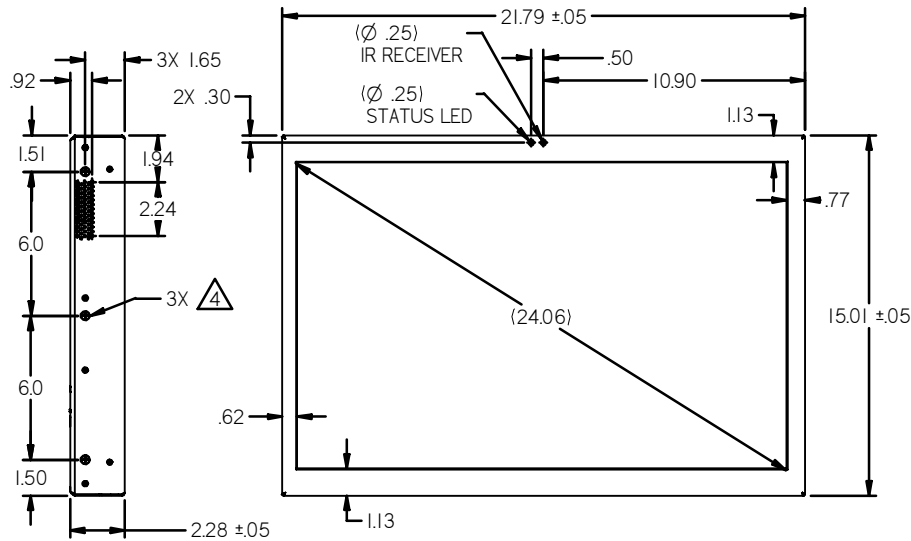
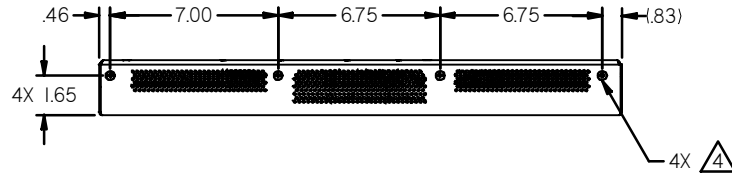
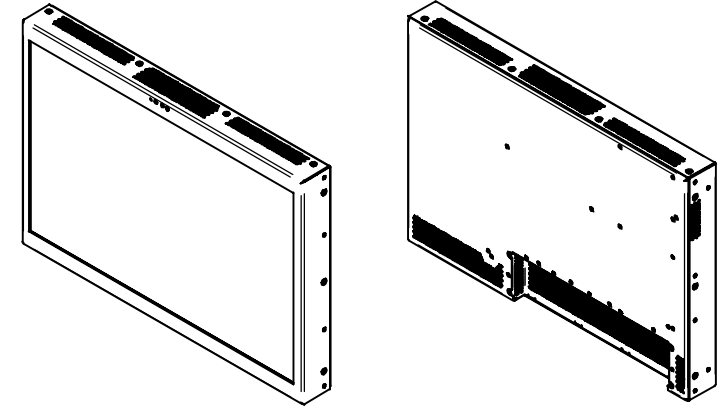
NOTES: (unless otherwise specified)

1. MONITOR WEIGHT: 12.0 LBS +/- 10%
2. FREE AIR VENTILATION REQUIRED. LEAVE PERFORATED VENT AREAS ON ALL SURFACES UNBLOCKED FOR VENTILATION. BULKHEAD INSTALLATIONS REQUIRE A MINIMUM OF 1 CUBIC FOOT VOLUME OF AIRSPACE, VENTING TO CABIN ENVIRONMENT, AND/OR GASPER AIR COOLING.
3. MONITOR MUST BE MOUNTED USING ALL MOUNTING HOLES ON 2 SIDES OR ALL MOUNTING HOLES ON TOP AND BOTTOM AS A MINIMUM
4. REMOVE #10-32 FLAT HEAD SCREWS AS NEEDED TO ACCESS MOUNTING HOLES. MAXIMUM THREAD PENETRATION 1/2"
5. CARE MUST BE TAKEN TO KEEP DEBRIS FROM ENTERING VENT HOLES DURING INSTALLATION AND OPERATION
6. DO NOT PLUG OR UNPLUG MONITOR WHEN POWER IS APPLIED
7. IR REMOTE CONTROL PROVIDED FOR DISPLAY SETUP

ELECTRONIC REVISION CONTROLLED

REVISIONS

ZONE	REV	DESCRIPTION	DATE	BY	CHG NO	APRV
	A	INITIAL RELEASE	01/05/10	GJH	EC09458	
A1	B	CHG SCREW COUNT FROM 3x	01/26/10	GJH	EC10033	DRF
pG2	C	CHG P3 CONNECTOR KIT FROM 0300-021	02/17/10	GJH	EC10042	DRF



THE INFORMATION CONTAINED HEREIN IS PROPRIETARY TO ROSEN AVIATION, LLC. IT SHALL NOT BE REPRODUCED OR DISCLOSED IN WHOLE OR IN PART OR USED FOR ANY DESIGN OR MANUFACTURE EXCEPT WHEN SUCH USER POSSESSES DIRECT, WRITTEN AUTHORIZATION FROM ROSEN AVIATION. THIS DRAWING MAY BE COVERED UNDER ONE OR MORE U.S. OR INTERNATIONAL PATENTS. PLEASE CONTACT ROSEN AVIATION FOR SPECIFIC INFORMATION.

ROSEN AVIATION 1020 OWEN LOOP SOUTH
EUGENE, OREGON 97402
TEL: (541) 342-3802 FAX: (541) 342-4912

APPROVALS	INITIAL	DATE
DRAWN BY	DRF	09/12/09
CHECKER	SC	12/30/09
ENGINEER	DRF	01/05/10

TITLE
**OUTLINE & INSTALLATION DRAWING,
24" WIDESCREEN, DC**

DWG NO
2401-003-CD

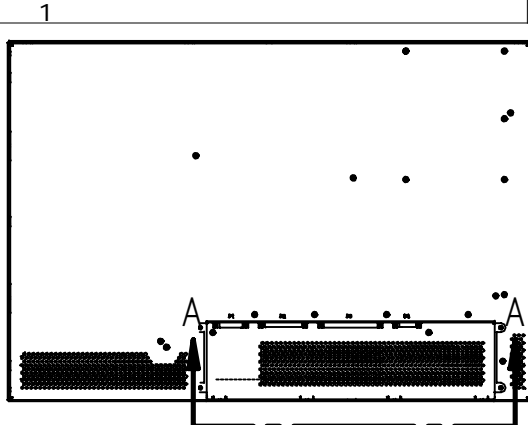
FIRST CALLED FOR: (FCF)

SIZE	REV
A	C

UNLESS OTHERWISE SPECIFIED DIMENSIONS ARE IN INCHES
 .X = ± .1
 .XX = ± .03
 ∠ = ± 5.0°
 RADI = ± .020
 INTERPRET DIM AND TOL PER ASME Y14.5M - 1994

SCALE	N.T.S.	SHEET	1 OF 2
-------	--------	-------	--------

REFER TO www.rosenaviation.com FOR THE LATEST REVISION INFORMATION.



P1: DVI INPUT

Connector Type: DVI-I Female
 Rosen Connector Kit: 0300-029
 (Sold Separately)

1	T.M.D.S Data2 -
2	T.M.D.S Data2+
3	T.M.D.S Data2 shield
4	N/C
5	N/C
6	DDC clock (DVI)
7	DDC data (DVI)
8	N/C
9	T.M.D.S Data1 -
10	T.M.D.S Data1+
11	T.M.D.S Data1 shield
12	N/C
13	N/C
14	5V Power
15	GND for 5V
16	Hot plug detect
17	T.M.D.S Data0 -
18	T.M.D.S Data0+
19	T.M.D.S Data0 shield
20	N/C
21	N/C
22	T.M.D.S Clock Shield
23	T.M.D.S Clock +
24	T.M.D.S Clock -
C1	N/C
C2	N/C
C3	N/C
C4	N/C
C5	N/C

P2: AUXILIARY INPUT

Connector Type: 5W5 Male
 Rosen Connector Kit: 0300-040
 (Sold Separately)

A1	Composite Video 2
A2	Reserved
A3	Component Pr
A4	Component Y
A5	Component Pb

P3: PRIMARY INPUT

Connector Type: Combo-D 21WA4 Male
 Mate: 21WA4 Female
 Video Contacts: 75 Ohm Size 8 Coaxial
 Rosen Connector Kit: 0300-034(Included)

Pin #	Monitor signal
1	28V return
2	+28VDC
3	IR +5V
4	Ext. IR Signal Input
5	28V Status Out
6	RGB/Video Select (LVTTTL)
7	Status Output (LVTTTL)
8	Hsync
9	Vsync
10	28V Return
11	+28VDC
12	IR GND
13	Computer Sync GND
14	Power ON in (ARINC 722)
15	Power Off in (ARINC 722)
16	DDC Data (RGB)
17	DDC Clock (RGB)
A1	Red
A2	Green
A3	Blue
A4	Composite (NTSC) Video 1
Shell	Chassis Ground

PERFORMANCE SPECIFICATIONS (REF)

LCD Performance	
Screen Resolution (pixels)	1920 x 1200
Video Standards supported	NTSC, PAL, RS170, COMPONENT(Y,Pb,Pr), DVI, VGA
Graphics Standards	VGA through WUXGA
Display Viewing Area (mm)	518.4 X 324
Horizontal Viewing Angle	±89°
Vertical Viewing Angle	±89°
Contrast Ratio	1000:1
Screen Brightness	400 cd/m² typ

Power Requirements

Nominal Voltage/Current	28VDC/4.6A
Inrush Current	45A for 500µsec
Op Voltage Range	18-32VDC
Maximum Current Draw	7.5A
Power Consumption	135 W Max

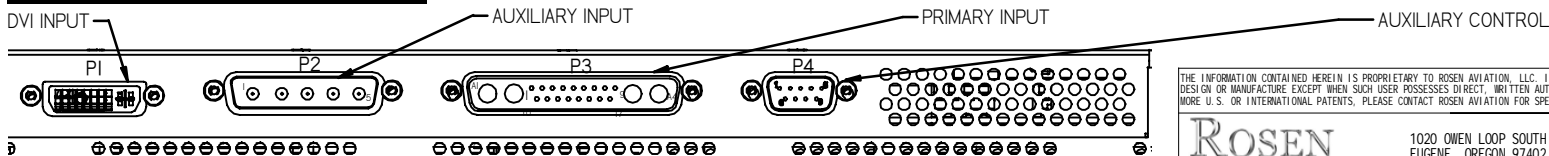
Environmental Specifications

Operating Temperature	0°C - 40°C
Altitude	15,000ft
Humidity	95%RH
Vibration	1.48 grms
Power Input	DO-160E Cat A/B
Radio Frequency	DO-160E Cat T
Emission of RF Energy	DO-160E Cat B

P4: AUXILIARY CONTROL

Connector Type: DE-9 Male
 Mate: DE-9 Female
 Rosen Connector Kit: 0300-022
 (sold separately)

Pin #	Function
1	RS-485 +
2	RS-485 -
3	RS-485 +
4	RS-485 -
5	Data Shield
6	Reserved
7	RS-232 Gnd
8	RS-232 Tx
9	RS-232 Rx



SECTION A-A

THE INFORMATION CONTAINED HEREIN IS PROPRIETARY TO ROSEN AVIATION, LLC. IT SHALL NOT BE REPRODUCED OR DISCLOSED IN WHOLE OR IN PART OR USED FOR ANY DESIGN OR MANUFACTURE EXCEPT WHEN SUCH USER POSSESSES DIRECT, WRITTEN AUTHORIZATION FROM ROSEN AVIATION, LLC. THIS DRAWING MAY BE COVERED UNDER ONE OR MORE U.S. OR INTERNATIONAL PATENTS. PLEASE CONTACT ROSEN AVIATION FOR SPECIFIC INFORMATION.

ROSEN AVIATION	1020 OWEN LOOP SOUTH EUGENE, OREGON 97402 TEL: (541) 342-3802 FAX: (541) 342-4912	SIZE	DWG NO	REV
		A	2401-003-CD	C
SCALE NONE		SHEET 2 OF 2		