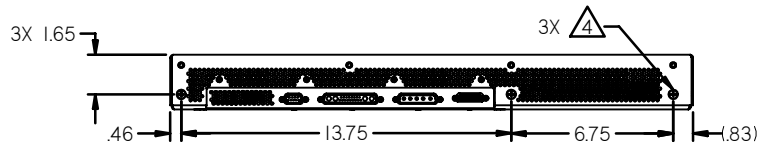
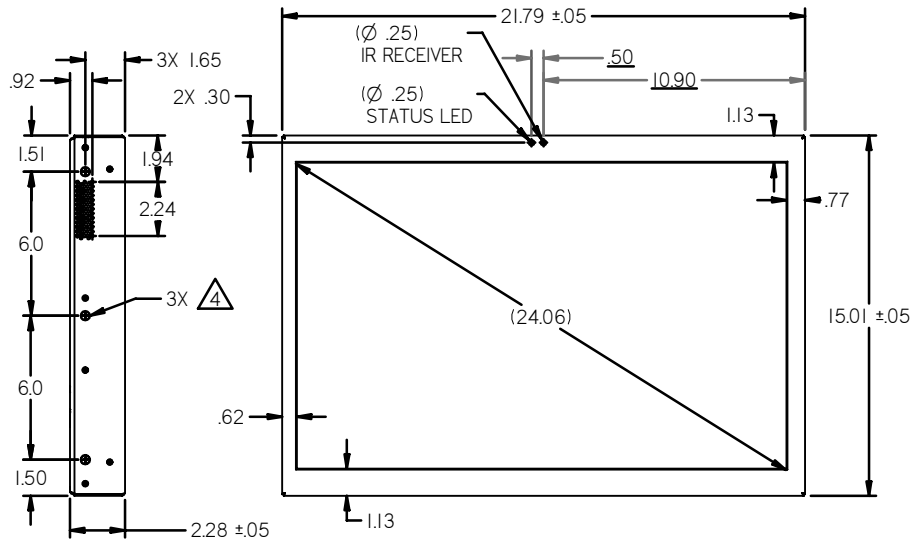
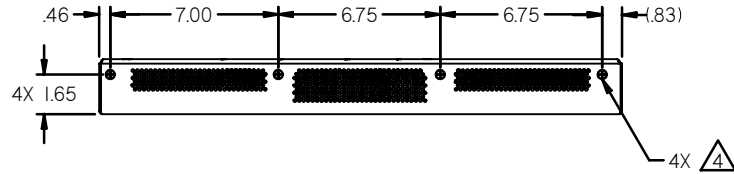


NOTES: (unless otherwise specified)

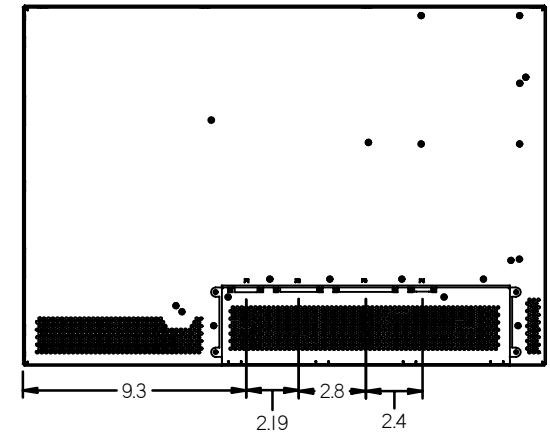
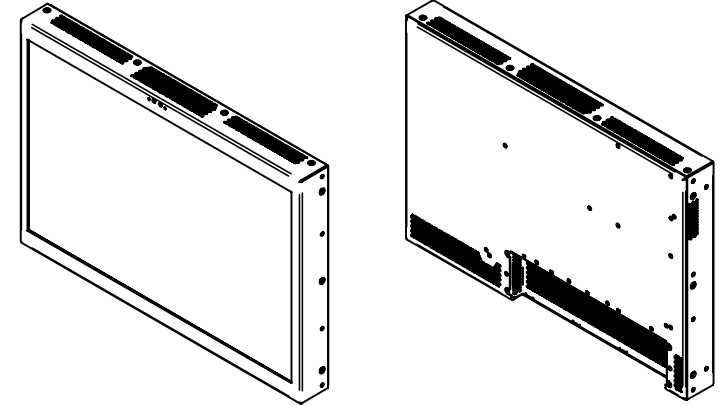
1. MONITOR WEIGHT: 12.0 LBS +/- 10%
2. FREE AIR VENTILATION REQUIRED. LEAVE PERFORATED VENT AREAS ON ALL SURFACES UNBLOCKED FOR VENTILATION. BULKHEAD INSTALLATIONS REQUIRE A MINIMUM OF 1 CUBIC FOOT VOLUME OF AIRSPACE, VENTING TO CABIN ENVIRONMENT, AND/OR GASPER AIR COOLING.
3. MONITOR MUST BE MOUNTED USING ALL MOUNTING HOLES ON 2 SIDES OR ALL MOUNTING HOLES ON TOP AND BOTTOM AS A MINIMUM
4. REMOVE #10-32 FLAT HEAD SCREWS AS NEEDED TO ACCESS MOUNTING HOLES. MAXIMUM THREAD PENETRATION 1/2"
5. CARE MUST BE TAKEN TO KEEP DEBRIS FROM ENTERING VENT HOLES DURING INSTALLATION AND OPERATION
6. DO NOT PLUG OR UNPLUG MONITOR WHEN POWER IS APPLIED
7. IR REMOTE CONTROL PROVIDED FOR DISPLAY SETUP



REVISIONS

ZONE	REV	DESCRIPTION	DATE	BY	CHG NO	APRV
	A	INITIAL RELEASE	03/19/10	DE	EC10124	

ELECTRONIC REVISION CONTROLLED



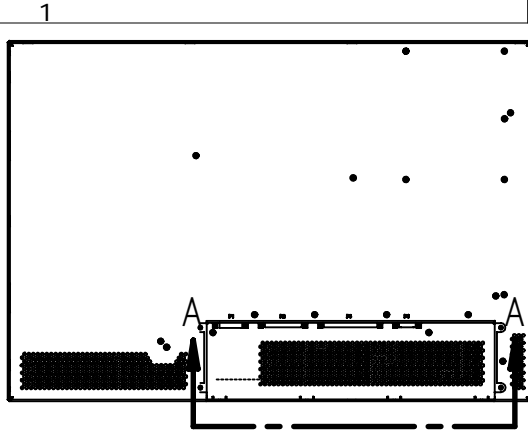
THE INFORMATION CONTAINED HEREIN IS PROPRIETARY TO ROSEN AVIATION, LLC. IT SHALL NOT BE REPRODUCED OR DISCLOSED IN WHOLE OR IN PART OR USED FOR ANY DESIGN OR MANUFACTURE EXCEPT WHEN SUCH USER POSSESSES DIRECT, WRITTEN AUTHORIZATION FROM ROSEN AVIATION. THIS DRAWING MAY BE COVERED UNDER ONE OR MORE U.S. OR INTERNATIONAL PATENTS. PLEASE CONTACT ROSEN AVIATION FOR SPECIFIC INFORMATION.

Rosen AVIATION 1020 OWEN LOOP SOUTH EUGENE, OREGON 97402 TEL: (541) 342-3802 FAX: (541) 342-4912	APPROVALS	INITIAL	DATE
	DRAWN BY	DE	03/10/10
	CHECKER	MCS	03/11/10
	ENGINEER	DRF	03/15/10

TITLE		DWG NO	
OUTLINE & INSTALLATION DRAWING, 24" WIDESCREEN W/ HDCP		2401-004-CD	
FIRST CALLED FOR: (FCF)		SIZE	REV
		A	A
SCALE	N.T.S.	SHEET	1 OF 2

UNLESS OTHERWISE SPECIFIED DIMENSIONS ARE IN INCHES
.X = ± .1
.XX = ± .03
∑ = ± 5.0°
RADI = ± .020
INTERPRET DIM AND TOL PER ASME Y14.5M - 1994

REFER TO www.rosenaviation.com FOR THE LATEST REVISION INFORMATION.



P1: DVI INPUT

Connector Type: DVI-I Female	
Rosen Connector Kit: 0300-029 (Sold Separately)	
1	T.M.D.S Data2 -
2	T.M.D.S Data2+
3	T.M.D.S Data2 shield
4	N/C
5	N/C
6	DDC clock (DVI)
7	DDC data (DVI)
8	N/C
9	T.M.D.S Data1 -
10	T.M.D.S Data1+
11	T.M.D.S Data1 shield
12	N/C
13	N/C
14	5V Power
15	GND for 5V
16	Hot plug detect
17	T.M.D.S Data0 -
18	T.M.D.S Data0+
19	T.M.D.S Data0 shield
20	N/C
21	N/C
22	T.M.D.S Clock Shield
23	T.M.D.S Clock +
24	T.M.D.S Clock -
C1	N/C
C2	N/C
C3	N/C
C4	N/C
C5	N/C

P2: AUXILIARY INPUT

Connector Type: 5W5 Male	
Rosen Connector Kit: 0300-040 (Sold Separately)	
A1	Composite Video 2
A2	Reserved
A3	Component Pr
A4	Component Y
A5	Component Pb

P3: PRIMARY INPUT

Connector Type: Combo-D 21WA4 Male	
Mate: 21WA4 Female	
Video Contacts: 75 Ohm Size 8 Coaxial	
Rosen Connector Kit: 0300-034(Included)	
Pin #	Monitor signal
1	28V return
2	+28VDC
3	IR +5V
4	Ext. IR Signal Input
5	28V Status Out
6	RGB/Video Select (LVTTTL)
7	Status Output (LVTTTL)
8	Hsync
9	Vsync
10	28V Return
11	+28VDC
12	IR GND
13	Computer Sync GND
14	Reserved
15	Reserved
16	DDC Data (RGB)
17	DDC Clock (RGB)
A1	Red
A2	Green
A3	Blue
A4	Composite (NTSC) Video 1
Shell	Chassis Ground

PERFORMANCE SPECIFICATIONS (REF)

LCD Performance	
Screen Resolution (pixels)	1920 x 1200
Video Standards supported	NTSC, PAL, RS170, COMPONENT(Y,Pb,Pr), DVI, VGA
Graphics Standards	VGA through WUXGA
Display Viewing Area (mm)	518.4 X 324
Horizontal Viewing Angle	±89°
Vertical Viewing Angle	±89°
Contrast Ratio	1000:1
Screen Brightness	400 cd/m² typ

Power Requirements

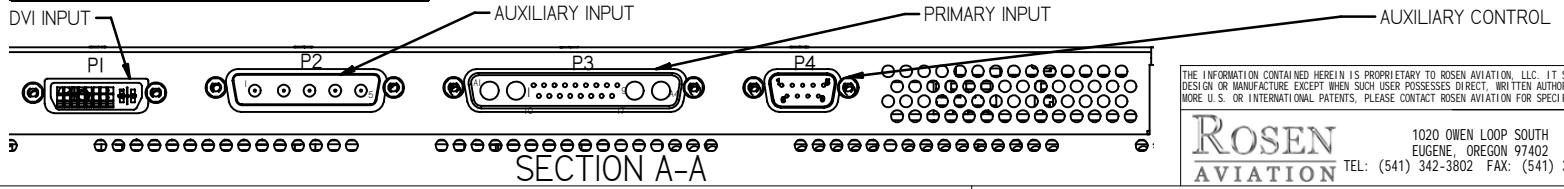
Nominal Voltage/Current	28VDC/4.6A
Inrush Current	45A for 500µsec
Op Voltage Range	18-32VDC
Maximum Current Draw	7.5A
Power Consumption	135 W Max

Environmental Specifications

Operating Temperature	0°C - 40°C
Altitude	15,000ft
Humidity	95%RH
Vibration	1.48 grms
Power Input	DO-160E Cat A/B
Radio Frequency	DO-160E Cat T
Emission of RF Energy	DO-160E Cat B

P4: AUXILIARY CONTROL

Connector Type: DE-9 Male	
Mate: DE-9 Female	
Rosen Connector Kit: 0300-022 (sold separately)	
Pin #	Function
1	RS-485 +
2	RS-485 -
3	RS-485 +
4	RS-485 -
5	Data Shield
6	Reserved
7	RS-232 Gnd
8	RS-232 Tx
9	RS-232 Rx



THE INFORMATION CONTAINED HEREIN IS PROPRIETARY TO ROSEN AVIATION, LLC. IT SHALL NOT BE REPRODUCED OR DISCLOSED IN WHOLE OR IN PART OR USED FOR ANY DESIGN OR MANUFACTURE EXCEPT WHEN SUCH USER POSSESSES DIRECT, WRITTEN AUTHORIZATION FROM ROSEN AVIATION, LLC. THIS DRAWING MAY BE COVERED UNDER ONE OR MORE U.S. OR INTERNATIONAL PATENTS. PLEASE CONTACT ROSEN AVIATION FOR SPECIFIC INFORMATION.

ROSEN AVIATION 1020 OWEN LOOP SOUTH
EUGENE, OREGON 97402
TEL: (541) 342-3802 FAX: (541) 342-4912

SIZE	DWG NO	REV
A	2401-004-CD	A
SCALE	NONE	SHEET 2 OF 2