

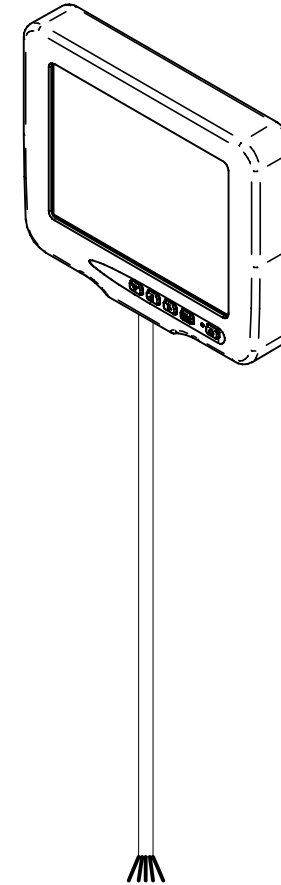
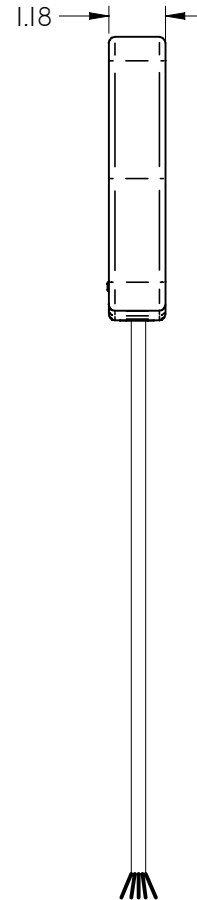
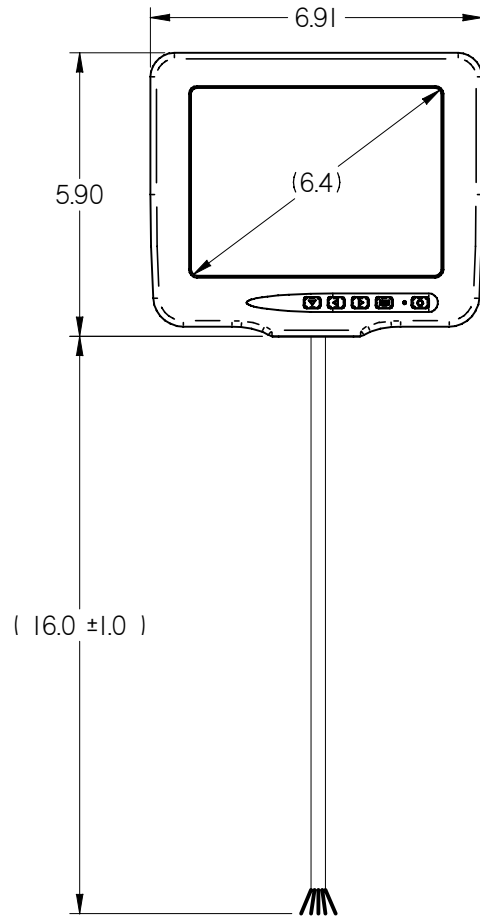
NOTES: (unless otherwise specified)

1. ASSEMBLY WEIGHT: 1.85 LBS. ±5%
2. HARNESS LENGTH: 16.0 ± 1.0

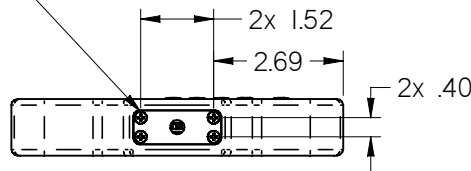
**ELECTRONIC REVISION  
CONTROLLED**

2

REVISIONS						
ZONE	REV	DESCRIPTION	DATE	BY	CHG NO	APRV
	A	INITIAL DRAWING RELEASE	04/08/08	GJH	EC08149	
	B	REDUCE HARNESS LENGTH FROM 18"	04/11/08	GJH	EC08165	JBM
A1	C	UPDATE WEIGHT	04/15/08	GJH	EC08169	JBM



4x MOUNTING SCREWS  
#6-32 NOT TO EXCEED  
.375 INSERTION DEPTH



THE INFORMATION CONTAINED HEREIN IS PROPRIETARY TO ROSEN AVIATION, LLC. IT SHALL NOT BE REPRODUCED OR DISCLOSED IN WHOLE OR IN PART OR USED FOR ANY DESIGN OR MANUFACTURE EXCEPT WHEN SUCH USER POSSESSES DIRECT, WRITTEN AUTHORIZATION FROM ROSEN AVIATION. THIS DRAWING MAY BE COVERED UNDER ONE OR MORE U.S. OR INTERNATIONAL PATENTS. PLEASE CONTACT ROSEN AVIATION FOR SPECIFIC INFORMATION.

**Rosen AVIATION** 1020 OWEN LOOP SOUTH  
EUGENE, OREGON 97402  
TEL: (541) 342-3802 FAX: (541) 342-4912

TITLE  
**OUTLINE & INSTALLATION DRAWING,  
MONITOR BULKHEAD MOUNT**

FIRST CALLED FOR: (FCF)

6500

APPROVALS	INITIAL	DATE
DRAWN BY	GJH	04/01/08
CHECKER	SC	04/07/08
ENGINEER	JBM	04/07/08

DWG NO  
6500-001-CD

SIZE	REV
A	C

SCALE 1:4 SHEET 1 OF 1

UNLESS OTHERWISE SPECIFIED DIMENSIONS ARE IN INCHES  
 .X = ± .1  
 .XX = ± .03  
 R = ± 1.0°  
 RADIUS ± .020  
 INTERPRET DIM AND TOL PER ASME Y14.5M - 1994

1

2

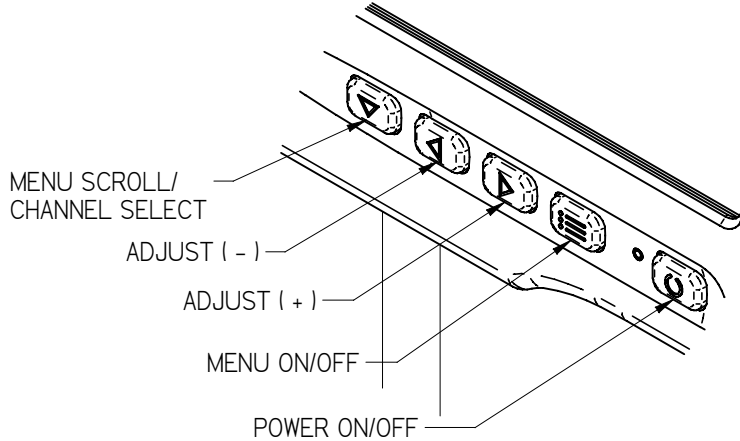
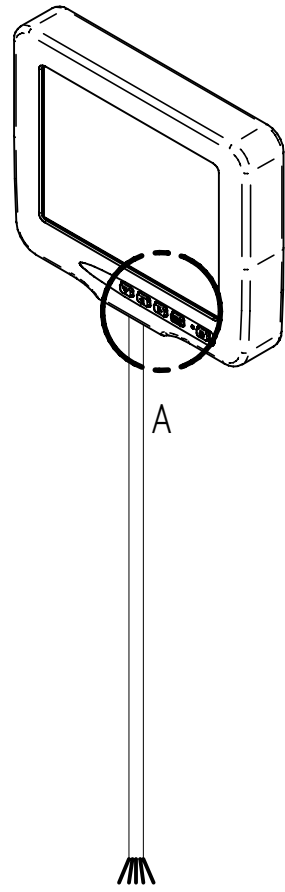
**Performance Specifications (Reference)**

LCD Performance	
Screen Resolution (pixels)	640 x 480
Video Standards supported	NTSC, PAL, SECAM, RS170 (B&W)
Display Viewing Area (in)	5.14 x 3.84
Vertical Viewing Angle	+45°(up), -35°(down)
Horizontal Viewing Angle	±50°
Contrast Ratio	300
Screen Brightness	400 cd/m <sup>2</sup> typ

Power Requirements	
Nominal Voltage	28VDC
Nominal Current	.32 A

Environmental Specifications	
Operating Temperature	-0C to +50C
Altitude	15,000ft
Humidity	95%RH
Vibration	1.48 grms
Power Input	DO-160D Cat AB
RF Susceptibility	DO-160D Cat TT
Emission of RF Energy	Cat-B
MTBF	4467 hrs

WIRING CHART	
Connector: None - flush cut	
Wire	Monitor signal
24 AWG Yellow	Select Switch Return
24 AWG Red	+28VDC
24 AWG Gray	Select Switch
24 AWG Black	DC Return
RG179 Signal	Video Signal
RG179 Shield	Video Return
24 AWG Green	Chassis Ground



DETAIL A

THE INFORMATION CONTAINED HEREIN IS PROPRIETARY TO ROSEN AVIATION, LLC. IT SHALL NOT BE REPRODUCED OR DISCLOSED IN WHOLE OR IN PART OR USED FOR ANY DESIGN OR MANUFACTURE EXCEPT WHEN SUCH USER POSSESSES DIRECT, WRITTEN AUTHORIZATION FROM ROSEN AVIATION, LLC. THIS DRAWING MAY BE COVERED UNDER ONE OR MORE U.S. OR INTERNATIONAL PATENTS. PLEASE CONTACT ROSEN AVIATION FOR SPECIFIC INFORMATION.

<b>ROSEN AVIATION</b>	1020 OWEN LOOP SOUTH EUGENE, OREGON 97402 TEL: (541) 342-3802 FAX: (541) 342-4912	SIZE <b>A</b>	DWG NO 6500-001-CD	REV C
	SCALE NONE	SHEET 2 OF 2		