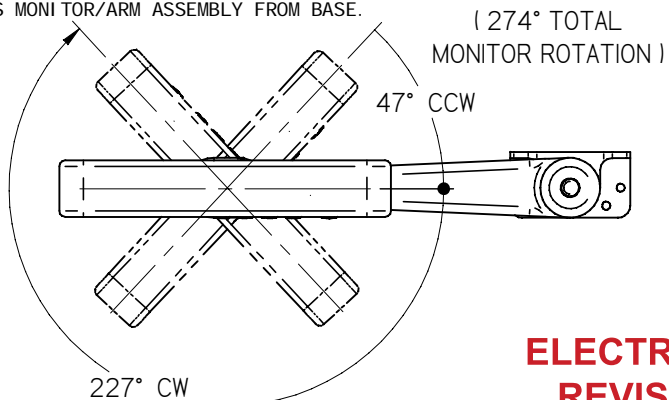


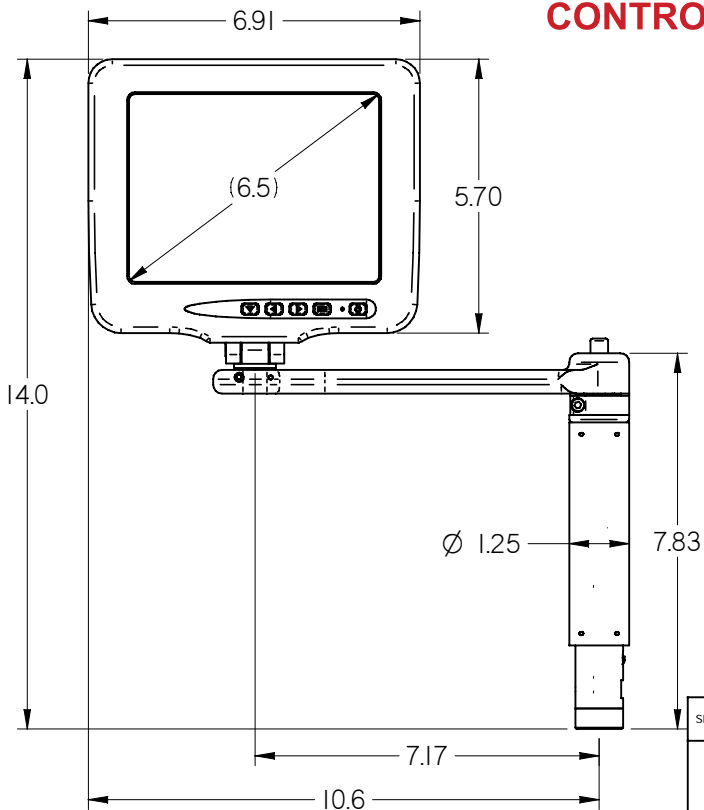
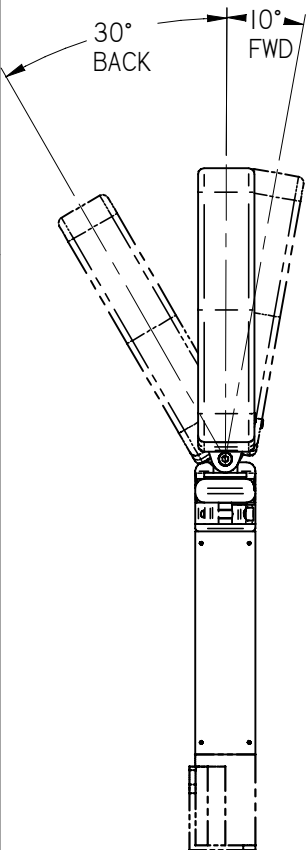
NOTES: (unless otherwise specified)

1. MATERIAL: SEE SEPARATE BOM
2. COMPONENT WEIGHT: 3.0 LBS. MAX
3. LABELS, SHIPPING PACKAGE, AND SOME MINOR PARTS OMITTED FROM DRAWING FOR CLARITY.

4. BASE SOLD SEPARATELY
5. FIRST HALF OF BUTTON TRAVEL RELEASES ARM ROTATION LOCK, SECOND HALF OF BUTTON TRAVEL RELEASES MONITOR/ARM ASSEMBLY FROM BASE.



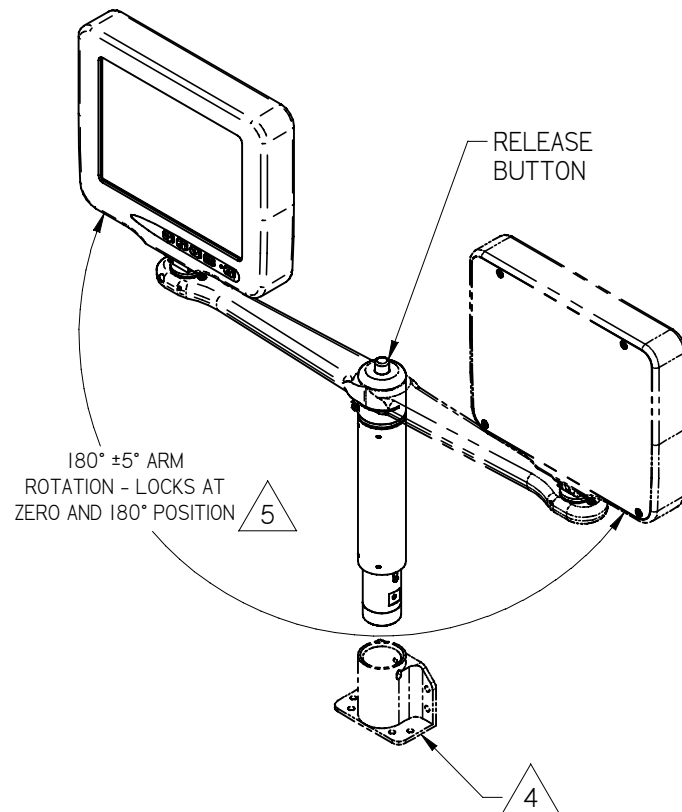
ELECTRONIC REVISION CONTROLLED



UNLESS OTHERWISE SPECIFIED DIMENSIONS ARE IN INCHES
 .X = ± .1
 .XX = ± .03
 ∑ = ± 5.0°
 INTERPRET DIM AND TOL PER ASME Y14.5M - 1994

2

REVISIONS						
ZONE	REV	DESCRIPTION	DATE	BY	CHG NO	APRV
-	A	INITIAL DRAWING RELEASE	04/18/05	GJH	05155	-
pg2	B	CORRECT PINOUTS, UPDATE DWG STD'S	09/14/05	GJH	05372	JW
-	C	BOM RESTRUCTURED	01/05/06	GJH	EC06001	JW
-	D	CORRECT ARM PART NUMBER ON BOM	01/18/06	GJH	EC06017	JW
-	F	POWER REQUIREMENTS UPDATED PG2	03/01/06	JAW	EC06029	RDH
-	G	BOM CHANGE	06/14/07	GJH	EC07234	DRF



THE INFORMATION CONTAINED HEREIN IS PROPRIETARY TO ROSEN AVIATION, LLC. IT SHALL NOT BE REPRODUCED OR DISCLOSED IN WHOLE OR IN PART OR USED FOR ANY DESIGN OR MANUFACTURE EXCEPT WHEN SUCH USER POSSESSES DIRECT, WRITTEN AUTHORIZATION FROM ROSEN AVIATION. THIS DRAWING MAY BE COVERED UNDER ONE OR MORE U.S. OR INTERNATIONAL PATENTS. PLEASE CONTACT ROSEN AVIATION FOR SPECIFIC INFORMATION.

Rosen AVIATION 1020 OWEN LOOP SOUTH EUGENE, OREGON 97402 TEL: (541) 342-3802 FAX: (541) 342-4912	APPROVALS	INITIAL	DATE
	DRAWN BY	GJH	01/19/05
	CHECKER	JW	04/22/05
	ENGINEER	SC	04/22/05
TITLE	6.5 SLIMLINE LOCKING PCR5 ARM, POGO PIN		
FIRST CALLED FOR: (FCF)	DWG NO 6500-037		
	SIZE A	REV G	
	SCALE 1:4	SHEET 1	OF 2

1

2

Performance Specifications (Reference)

LCD Performance	
Screen Resolution (pixels)	640 x 480
Video Standards supported	NTSC, PAL, SECAM, RS170 (B&W)
Display Viewing Area (in)	5.14 x 3.84
Vertical Viewing Angle	+45°(up), -35°(down)
Horizontal Viewing Angle	±50°
Contrast Ratio	300
Screen Brightness	400 cd/m ² typ

Power Requirements

Nominal Voltage	12VDC OR 28VDC
Nominal Current	.32 A

Environmental Specifications

Operating Temperature	-0C to +50C
Altitude	15,000ft
Humidity	95%RH
Vibration	1.48 grms
Power Input	DO-160D Cat AB
RF Susceptibility	DO-160D Cat TT
Emission of RF Energy	Cat B
MTBF	4467 hrs

Base Receptacle Pinout - DB9

Slimline Base Receptacle
Models: 0100-041, 0100-042, 0100-043
Connector: 9 Pin Male D-Subminiature Positronic SD9M0000Z
Mate: 9 Pin Female D-Subminiature Positronic SD9F0000X

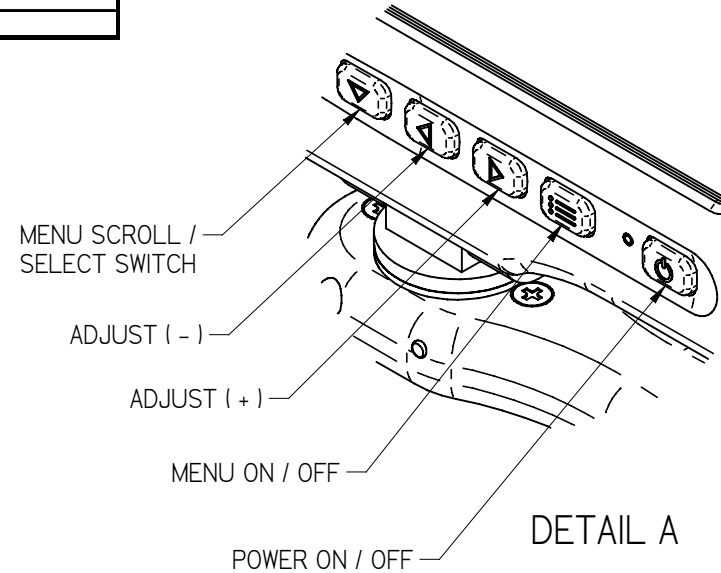
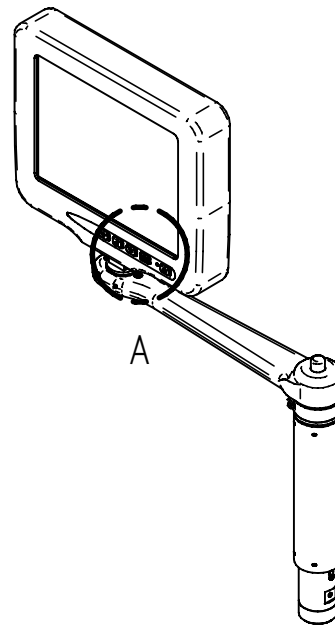
Pin #	Monitor signal
1	Reserved
2	DC Input
3	DC Return
4	Select Switch*
5	Select Switch Return*
6	Reserved
7	Video Signal Input
8	Video Ground
9	Reserved

*Pins 4 & 5 connect to a momentary relay switch

Base Receptacle Pinout

Slimline Base Receptacle
Model 0100-040
Video Connector: BNC Jack, AMP 221199-5
Power Connector: Male 3 pin, .062" Molex
Mating Video Connector: BNC Plug
Mating Power Connector: Molex 03-06-1038
Mating Power Contact: Molex 02-06-1103

Pin #	Monitor signal
BNC signal	Video Signal
BNC shield	Video Return
Molex 1	DC Input
Molex 2	DC Return
Molex 3	Reserved



THE INFORMATION CONTAINED HEREIN IS PROPRIETARY TO ROSEN AVIATION, LLC. IT SHALL NOT BE REPRODUCED OR DISCLOSED IN WHOLE OR IN PART OR USED FOR ANY DESIGN OR MANUFACTURE EXCEPT WHEN SUCH USER POSSESSES DIRECT, WRITTEN AUTHORIZATION FROM ROSEN AVIATION, LLC. THIS DRAWING MAY BE COVERED UNDER ONE OR MORE U.S. OR INTERNATIONAL PATENTS. PLEASE CONTACT ROSEN AVIATION FOR SPECIFIC INFORMATION.

ROSEN AVIATION	1020 OWEN LOOP SOUTH EUGENE, OREGON 97402 TEL: (541) 342-3802 FAX: (541) 342-4912	SIZE	DWG NO	REV
		A	6500-037	G
SCALE NONE		SHEET 2 OF 2		